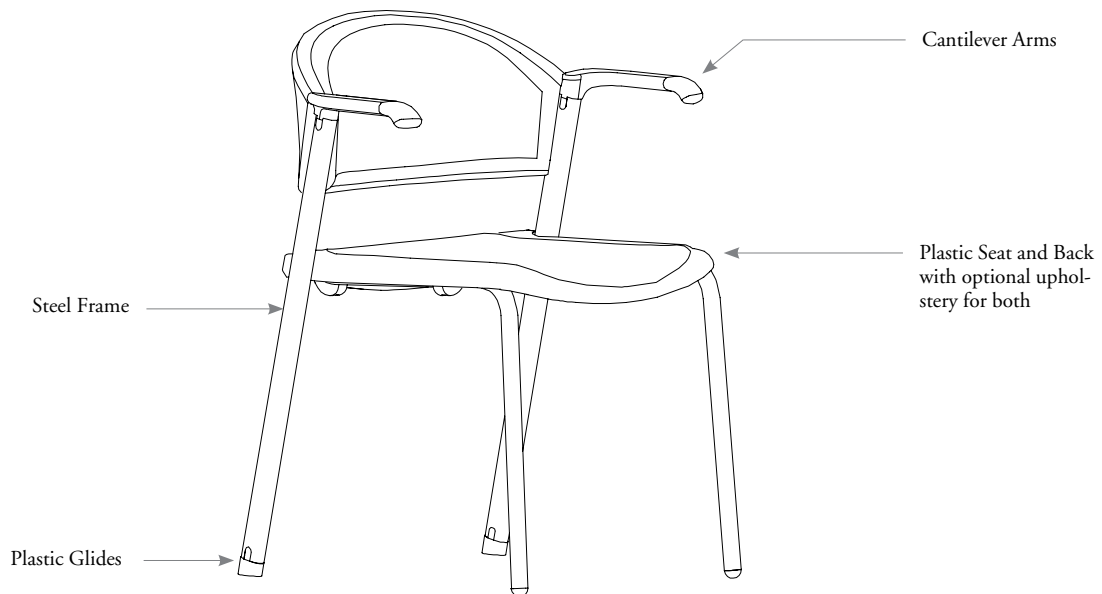


stacking chairs

zone overview

The form-fitting Zone Chair is a classic stacking chair, simple, practical and comfortable.

Zone – Stacking Guest Chair (NZOC)



statement of line



Four-Leg –
No Arms
(NZOCN)



Four-Legs –
Cantilever Arms
(NZOCF)



With Bookrack
(NZOCB)
*Ganging Device,
Upholstered versions
and Dolly also available

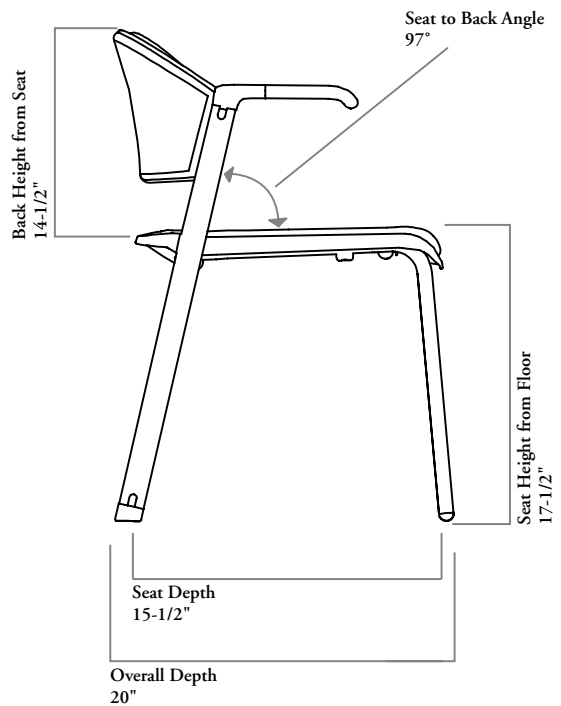
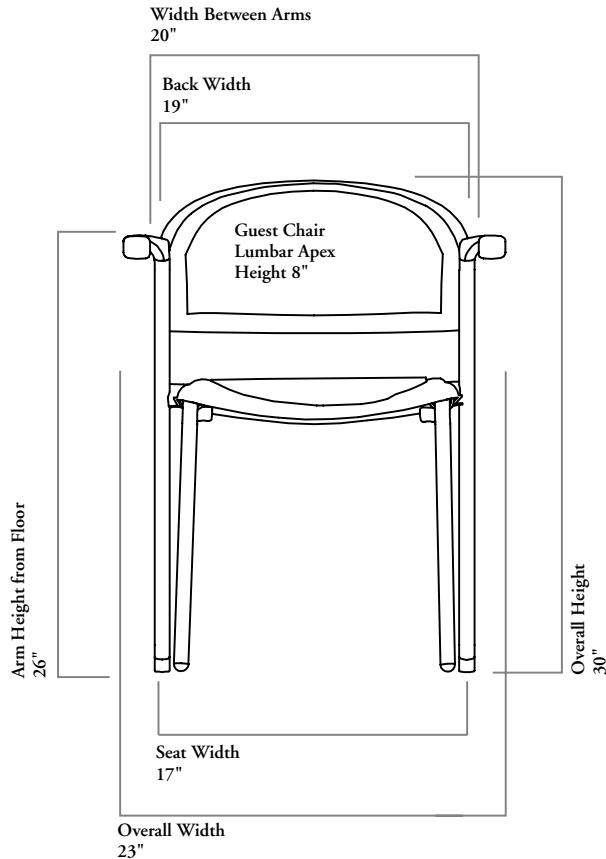
zone dimensions & material requirements

features

- Designed and tested for users up to 275 lbs

weight

Chair	22 lbs
-------	--------



Other Dimensions

- Dolly Dimensions – 18" h x 2-3/4" w x 27" d
- Dolly Dimensions with 10 stacked chairs – 59-1/2" h x 22-3/4" w x 40-1/2" d
- Bookrack Dimensions – 14" w x 14-1/2" l

COM/COL material requirement

The pattern, repeat and directionality of fabric may increase the amount of yardage required.

Leather quantities should always be rounded up to the next hide size, as yields vary from 60-80% and are affected by the quality, size and shape of the hide, and by the location and quantity of blemishes.

SINGLE UPHOLSTERED

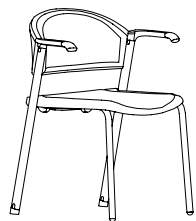
	COM [yards]
Small	0.75

stacking chairs

Xpress

N Z O C

Zone – Stacking Guest Chair



FEATURES

- Stacks 10 high on a dolly, stacks 5 on the floor
- Multi-surface glides

NOTES

When bookrack is specified, chair is no longer stackable.

Single Upholstered: The seat and inside back are upholstered. Plastic finish must be specified for the exposed outer back and seat edge when specifying single upholstery.

Not all configurations are available as Xpress. Please see Xpress catalogue and/or specification software for details.

PRODUCT OPTIONS

Size	Frame Style	Arm Style	Upholstered/ Back Style	Upholstery Finish (If applicable)	Frame Finish	Seat Plastic Finish (If applicable)	Back Plastic Finish	Other Options	Bookrack Finish
A Small	F Four-Legs	N No Arms F Cantilever Arms (Shown)	N Not Upholstered P Single Upholstered	Fabric	E Ebony	E Ebony	E Ebony	B Bookrack 0 No Bookrack	E Ebony

SAMPLE ORDER CODE

NZOC A	F	N	N		E	E	E	B	E
---------------	----------	----------	----------	--	----------	----------	----------	----------	----------

DESCRIPTION

NOT UPHOLSTERED PLASTIC (T) **Xpress**

No Arms
Cantilever Arms

SINGLE UPHOLSTERED (P)

No Arms
Cantilever Arms

PRICE

Grade 1	Grade 2	Grade 3	Grade 4	Grade 5	Grade 6	Grade 7	Grade 8	Grade 9	Grade 10
249	n/a	n/a	n/a	n/a	n/a	n/a	n/a	n/a	n/a
305	n/a	n/a	n/a	n/a	n/a	n/a	n/a	n/a	n/a
351	375	402	426	449	473	501	524	549	638
407	433	458	483	508	532	557	582	608	695

If Bookrack (B) is specified, add 73

N Z O

Zone – Chair Accessories

FEATURES

Hard Casters are standard on Dolly.

NOTES

Ganging devices are used to attach Zone Stacking Chair (NZOC) in a line. Ganging Device should be attached from the back of the chair frame between the back and the seat. Select Ganging Device size option for chair with arms or with no arms.

Bookrack attaches to Zone Chair (NZOC) only.



Dolly



Bookrack



Ganging Device

PRODUCT OPTIONS

Accessories	Ganging Device Size	Bookrack Finish
W Dolly G Ganging Devices T Bookrack	N For Chairs with no Arms F For Chairs with Arms	E Ebony

SAMPLE ORDER CODE

N Z O W	N	E
----------------	----------	----------

DESCRIPTION

PRICE

Dolly

290

Ganging Devices

73 (package of 10)