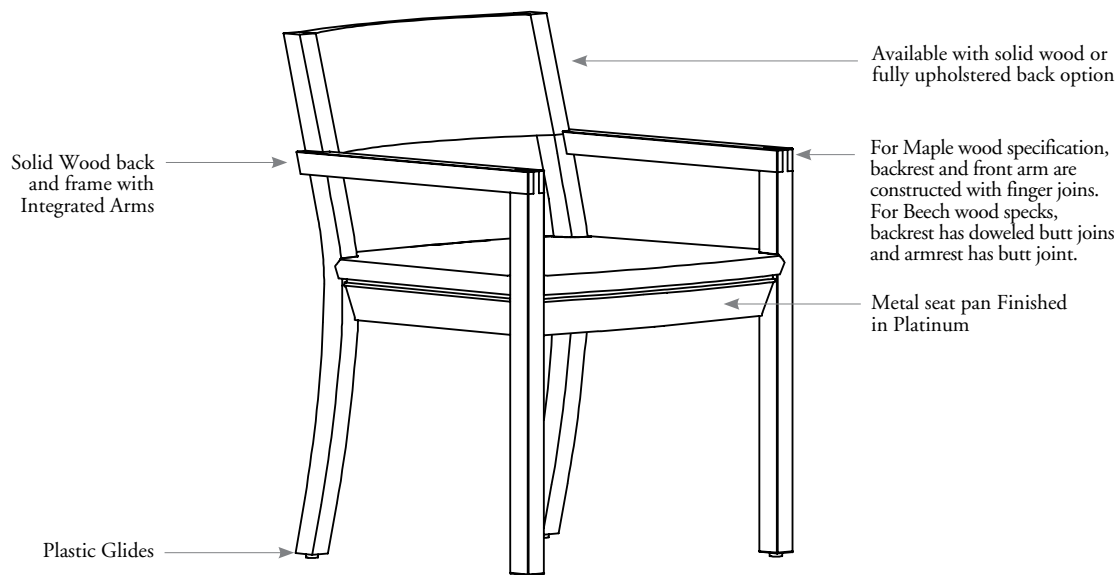


multi-use chairs

synapse overview

Synapse is a contemporary wood side chair that combines traditional joinery with a unique ready-to-assemble construction.

Synapse – Wood Guest Chair (NSYN)



statement of line



Mid-Back –
Integrated Arms,
Single Upholstered
(NSYN)



Mid-Back –
Integrated Arms,
Fully Upholstered
(NSYF)

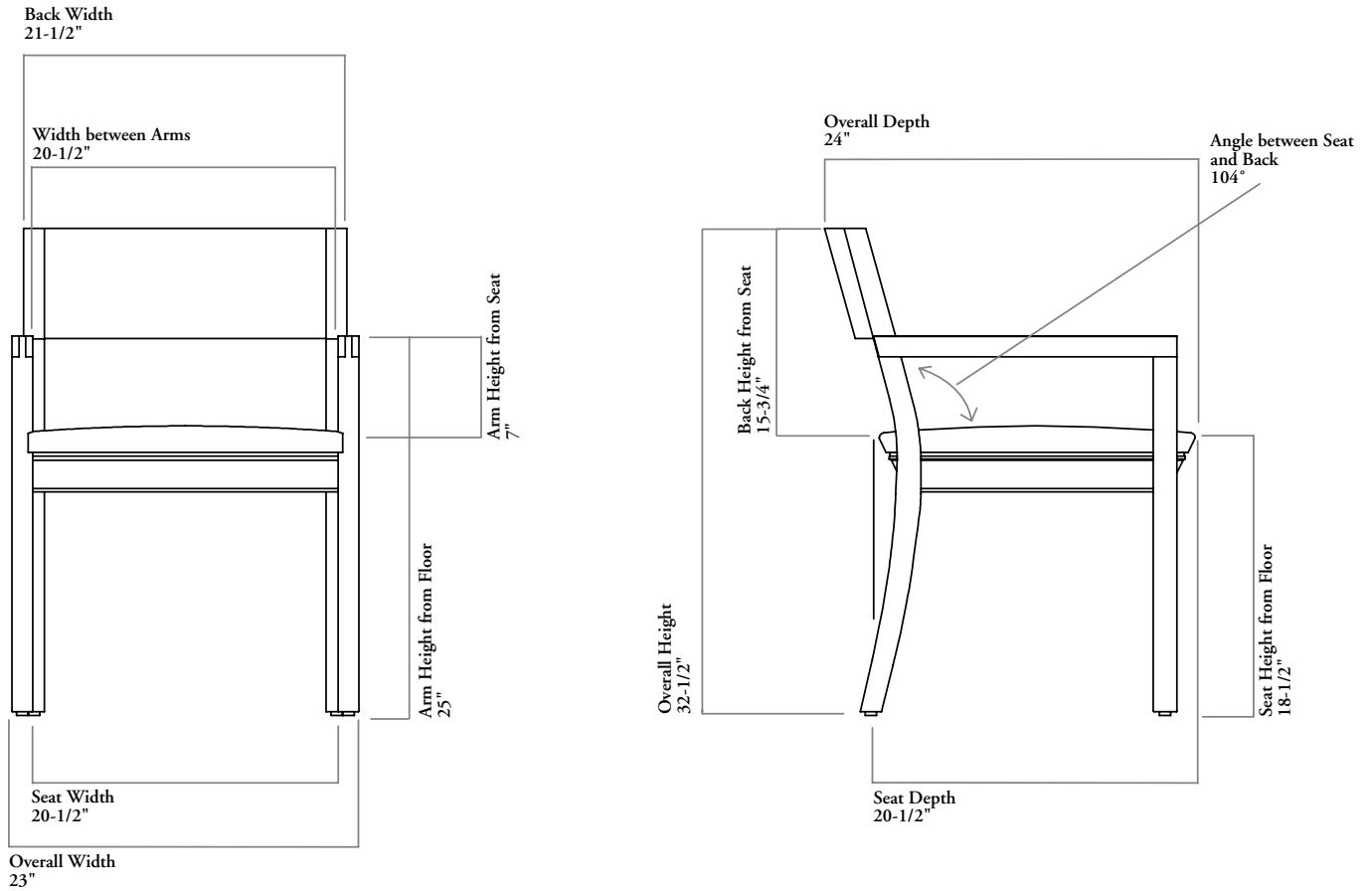
synapse dimensions & material requirements

features

- Designed and tested for users up to 250 lbs

weight

| | |
|-----------------|--------|
| Multi-Use Chair | 20 lbs |
|-----------------|--------|



COM/COL material requirement

The pattern, repeat and directionality of fabric may increase the amount of yardage required.

Leather quantities should always be rounded up to the next hide size, as yields vary from 60-80% and are affected by the quality, size and shape of the hide, and by the location and quantity of blemishes.

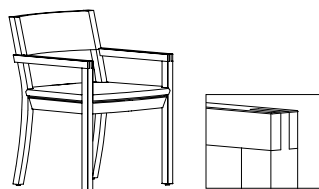
| | COM [yards] | COL [sq. ft] |
|------------------------------------|----------------|-----------------|
| Single Slat Back, Upholstered Seat | 1 | 6 |
| Fully Upholstered | 1.25 | 14 |

multi-use chairs

Xpress

NSYN

Synapse – Wood Guest Chair



Mid-Back –
Integrated Arms

Beech

FEATURES

- Floor glides are standard

NOTES

- For Beech Wood Species, backrest has doweled butt joints and armrest has butt joint
Flintwood, Veneer 2, 3 and 4 finishes apply

Single Stain: The same stain is applied to the entire chair.

A TekniStain form is required if a Teknion Wood product is needed in colors outside our standard offering. To order a Custom Wood Stain please use the seating code NOCWS. A one time upcharge per color applies. Please forward a purchase order and TekniStain form to your Customer Service Representative. Allow two (2) weeks for the TekniStain approval process. The Custom Wood Stain sample must be signed off prior to placing product order. Allow (3) extra weeks to the total lead time of the chair when using a custom wood stain. The total lead time will begin once final approved samples have been received from customer to Teknion. The custom wood stain sample must be signed off prior to placing product order.

PRODUCT OPTIONS

| Assembly Style | Wood Species | Arm Style | Finish Style | Upholstery Finish | Beech Back and Frame Finish |
|--------------------------|----------------|--------------------------|-----------------------|-------------------|----------------------------------------------|
| F Fully Assembled | B Beech | I Integrated Arms | S Single Stain | Fabric Leather | Wood Stain Coordinates Custom Wood Stains |

SAMPLE ORDER CODE

| | | | | | |
|---------------|----------|----------|----------|-------------|--|
| NSYN F | B | I | S | M501 | |
|---------------|----------|----------|----------|-------------|--|

DESCRIPTION

PRICE

| | COM/ | | COL | | | | | | | |
|---------------------------------------------|---------------|---------------|---------------|---------------|---------|---------|---------|---------|---------|----------|
| | Grade 1 | Grade 2 | Grade 3 | Grade 4 | Grade 5 | Grade 6 | Grade 7 | Grade 8 | Grade 9 | Grade 10 |
| Beech Wood – Integrated Arms (Single Stain) | 1145 | 1172 | 1200 | 1223 | 1247 | 1272 | 1299 | 1322 | 1347 | 1434 |
| | Leather LA | Leather LB | Leather LC | Leather LD | | | | | | |
| Beech Wood – Integrated Arms (Single Stain) | 1268 | 1334 | 1403 | 1426 | | | | | | |

To order a Custom Wood Stain Color for Seating please use the code NOCWS. A one time 913 list charge per color applies.

NSYF

Synapse – Fully Upholstered Wood Guest Chair

FEATURES

- Floor glides are standard

NOTES

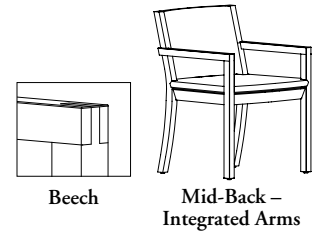
- For Beech Wood Species, backrest has doweled butt joints and armrest has butt joint
Flintwood, Veneer 2, 3 and 4 finishes apply

Single Stain: The same stain is applied to the entire chair.

Dual Stain: Two different stains are applied to the Beech Chair, one stain to the back end rear legs and the other stain to the arms and front legs.

Single Upholstered: The same fabric is applied to the seat and back.

Dual Upholstered: Two different fabrics are applied to the chair, one fabric to the seat and the other fabric to the back. First fabric listed will apply to the back and is the grade of fabric used to price the chair. A dual upholstery upcharge applies.



PRODUCT OPTIONS

| Wood Species | Arm Style | Finish Style | Upholstery Style | Back Upholstery Finish | Beech Back and Frame Finish |
|----------------|--------------------------|-----------------------|-----------------------------|------------------------|----------------------------------------------|
| B Beech | I Integrated Arms | S Single Stain | S Single Upholstered | Fabric Leather | Wood Stain Coordinates Custom Wood Stains |

SAMPLE ORDER CODE

| | | | | | |
|---------------|----------|----------|----------|-------------|--|
| NSYF B | I | S | S | M501 | |
|---------------|----------|----------|----------|-------------|--|

DESCRIPTION

PRICE

| | COM/ | | COL/ | | | | | | | |
|---------------------------------------------|---------------|---------------|---------------|---------------|---------|---------|---------|---------|---------|----------|
| | Grade 1 | Grade 2 | Grade 3 | Grade 4 | Grade 5 | Grade 6 | Grade 7 | Grade 8 | Grade 9 | Grade 10 |
| Beech Wood – Integrated Arms (Single Stain) | 1365 | 1398 | 1431 | 1465 | 1498 | 1531 | 1565 | 1599 | 1630 | 1748 |
| | Leather LA | Leather LB | Leather LC | Leather LD | | | | | | |
| Beech Wood – Integrated Arms (Single Stain) | 1748 | 1774 | 1909 | 1961 | | | | | | |

If Dual Upholstered (D) is specified, add 199

To order a Custom Wood Stain Color for Seating please use the code NOCWS. A one time 913 list charge per color applies.