

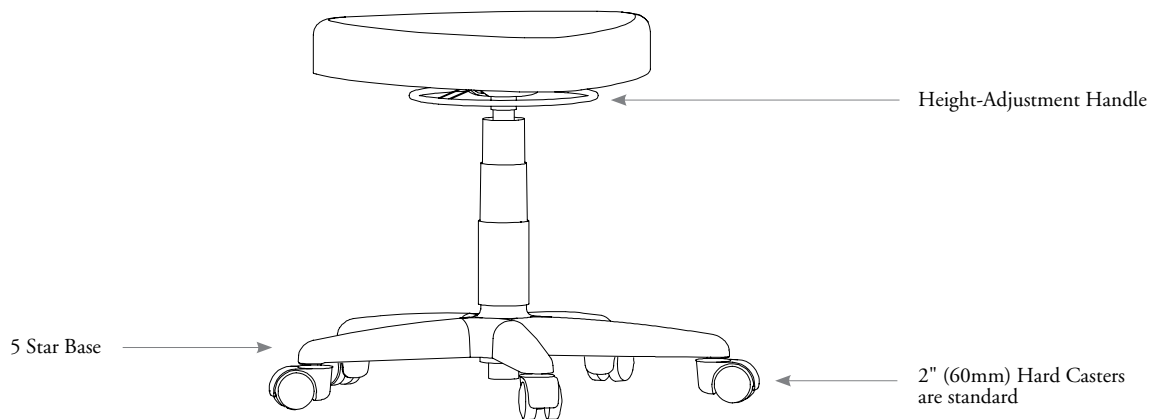
multi-use chairs

ability overview

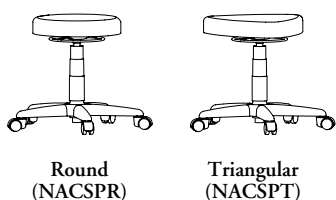
Ability Spinner Stools provide a simple and affordable solution for mobile and casual guest seating.

Ability Stools are equipped with casters intended for use on carpeted surfaces. Use of these casters on hard surfaces could result in unexpected rolling and tipping. Casters designed for use on hard surfaces are available. If in doubt, see your dealer for appropriate selection.

Ability Spinner Stool (NACSP)



statement of line



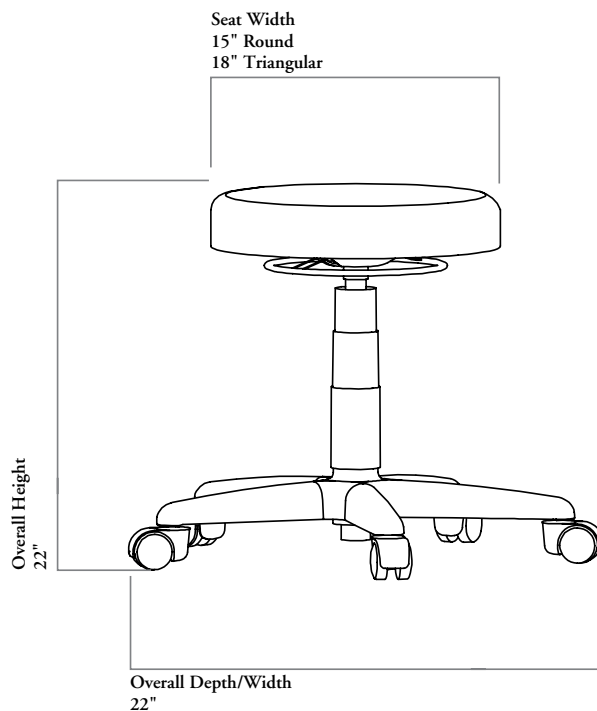
ability dimensions & material requirements

features

- Designed and tested for users up to 250 lbs

weight

Stool	15 lbs
-------	--------



COM/COL material requirement

The pattern, repeat and directionality of fabric may increase the amount of yardage required.

Leather quantities should always be rounded up to the next hide size, as yields vary from 60-80% and are affected by the quality, size and shape of the hide, and by the location and quantity of blemishes.

SINGLE UPHOLSTERED

	COM [yards]	COL [sq. ft]
Round	0.5	8
Triangular	0.75	8

multi-use chairs

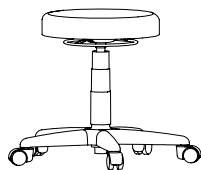
Xpress

N A C S P

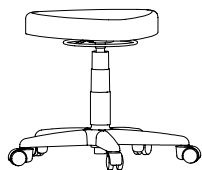
Ability Spinner Stool

FEATURES

- Pneumatic cylinder provides height-adjustment of 6"
- 5 star base is finished in Ebony
- Hard casters are standard, unless otherwise specified



Round



Triangular

PRODUCT OPTIONS

Seat Shape	Seat Upholstery Finish	Base Finish	Casters (Optional)
R Round T Triangular	Fabric Leather	E Ebony	SC Casters, Soft

SAMPLE ORDER CODE

NACSP R	A103	E	
----------------	-------------	----------	--

PRICE

Grade 1	COM/ Grade 2	COL/ Grade 3	Grade 4	Grade 5	Grade 6	Grade 7	Grade 8	Grade 9	Grade 10	
320	344	371	396	420	446	471	497	521	608	
Leather LA	Leather LB	Leather LC	Leather LD							
522	553	645	675							

If Soft Casters (SC) are specified add 24