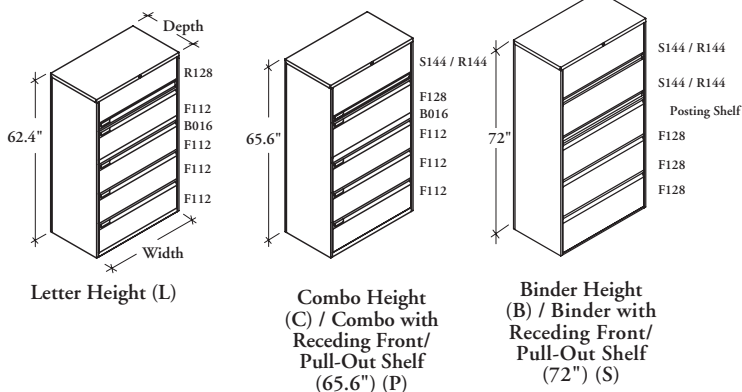


# ledger – lateral files

**Xpress**

## LLF 50 / 51

### Five-High Lateral Files



Pre-configured Lateral Files combine various drawer heights to provide dedicated letter-, binder- or combination-use cabinets and drawer openings.

#### WHAT'S INCLUDED

1 cabinet case, 5 drawers, Structural Module or Posting Shelf above the third drawer, as specified, hanging file bars, 2 counterweights, if specified, lock and keys.

#### NOTES

Not all configurations are available as Xpress. Please see Xpress catalogue and/or specification software for details.

Combo (C) and Binder (B) height options default to Standard Top Shelf.

Individually Locked (L) is not available if Height (S) is specified.

Full Pull style is finished to match drawer front. Rectangular Handle Pull style will default to Platinum.

#### PRODUCT OPTIONS

Configuration	Height	Depth	Width	Front Finish Style	Pull Style	Case & Front Finish	Key Style	Counterweight
50 Five-High with Structural Module	L Letter (62.4")	18, 20	30, 36, 42	D1 Metal	A Full Pull (metal front only)	Foundation Mica Accent	K Keyed Alike R Keyed Randomly L Individually Locked	W2 Counterweight
	C Combo (65.6")							
51 Five-High with Posting Shelf	B Binder (72")	18, 20	30, 36, 42	D1 Metal	B Rectangular Handle Pull	Foundation Mica Accent	K Keyed Alike R Keyed Randomly L Individually Locked	W2 Counterweight
	P Combo with Receding Front/ Pull-Out Shelf (65.6")							
	S Binder with Receding Front/ Pull-Out Shelf (72")							

#### SAMPLE ORDER CODE

LLF 50	L	20	42	D1	B	65	K	W2
--------	---	----	----	----	---	----	---	----

Pricing is continued on the following page.

LLF50/51

Five-High Lateral Files  
(Continued)

**DIMENSIONS**  
INCHES / MM

D	W
18 / 457	30 / 762
18 / 457	36 / 914
18 / 457	42 / 1067
20 / 508	30 / 762
20 / 508	36 / 914
20 / 508	42 / 1067
18 / 457	30 / 762
18 / 457	36 / 914
18 / 457	42 / 1067
20 / 508	30 / 762
20 / 508	36 / 914
20 / 508	42 / 1067
18 / 457	30 / 762
18 / 457	36 / 914
18 / 457	42 / 1067
20 / 508	30 / 762
20 / 508	36 / 914
20 / 508	42 / 1067
18 / 457	30 / 762
18 / 457	36 / 914
18 / 457	42 / 1067
20 / 508	30 / 762
20 / 508	36 / 914
20 / 508	42 / 1067

**PRICING**

WITHOUT POSTING SHELF	
Foundation	Mica/Accent
<b>LETTER HEIGHT Xpress</b>	
2365	2740
2514	2918
2672	3096
2365	2740
2514	2918
2672	3096
<b>COMBO HEIGHT Xpress</b>	
2367	2744
2520	2924
2676	3103
2367	2744
2520	2924
2676	3103
<b>BINDER HEIGHT</b>	
2539	2921
2694	3102
2852	3286
2539	2921
2694	3102
2852	3286
<b>COMBO WITH RECEDING FRONT / PULL-OUT SHELF</b>	
2427	2804
2579	2985
2735	3163
2427	2804
2579	2985
2735	3163
<b>BINDER WITH RECEDING FRONT / PULL-OUT SHELF</b>	
2598	2982
2754	3162
2913	3347
2598	2982
2754	3162
2913	3347

WITH POSTING SHELF	
Foundation	Mica/Accent
<b>LETTER HEIGHT</b>	
2597	3015
2776	3225
2961	3432
2597	3015
2776	3225
2961	3432
<b>COMBO HEIGHT</b>	
2599	3020
2778	3229
2963	3440
2599	3020
2778	3229
2963	3440
<b>BINDER HEIGHT</b>	
2760	3207
2942	3422
3129	3635
2760	3207
2942	3422
3129	3635
2660	3081
2838	3288
3024	3498
2660	3081
2838	3288
3024	3498
2820	3268
2999	3481
3190	3694
2820	3268
2999	3481
3190	3694

If Rectangular Handle Pull (B) is specified on a Metal Front (D1), add 129  
 If Individual Locks (L) are specified, add 1143  
 If Counterweights (W2) are specified, add 164 for 30", 36" and 42" wide cabinets