

storage for multi-level workstations

Xpress

B S S L

Lateral File for Secondary Desk

This modular lateral file allows to provide additional storage and ensure to support secondary desk. The proper mix of end and center storage position will allow filling the whole span of a Secondary Desk.

WHAT'S INCLUDED

1 lateral file cabinet with levelers, pulls (as specified), mounting hardware, lock and keys (as specified), and accessories as listed below:

	Width					
	18"	24"	30"	36"	42"	
File Drawer	1	1	1	1	1	(Low)
	2	2	2	2	2	(High)
15" Cross File Bar	0	1	1	2	n/a	(D, M, X – End)
(per drawer)	1	1	2	2	2	(C – Center)

WHAT'S EXCLUDED

Low or High Secondary Desk and all Low or High Secondary Desk for Height-Adjustable Worksurfaces.

NOTES

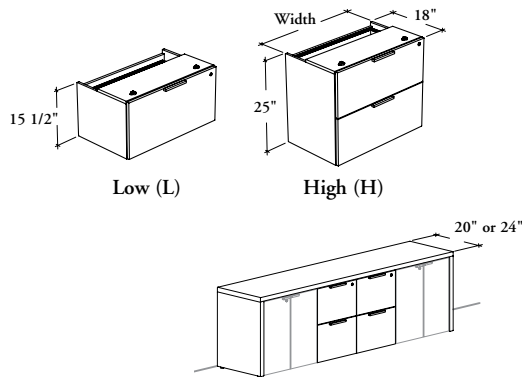
The end position must be specified next to a secondary desk gable in order to compensate its thickness creepage.

The center position option is **not** available in 42" width.

This storage unit has a central locking system and full extension drawers that can accommodate both letter- and legal-size paper. The high configuration is equipped with an interlock system that prevents opening more than one drawer at a time.

The included cross file bars are to be installed along the depth only.

Not all finishes are available as Xpress, Please see Xpress catalogue and/or specification software for details.



PRODUCT OPTIONS

Position – Worksurface Thickness	In Front of Height-Adjustable Mechanism	Secondary Desk Height	Secondary Desk Depth	Width
C Center (Shown)	N No	H High	20, 24	18, 24, 30, 36, 42
D End – 1" thick Secondary Desk		L Low		
M End – 1 3/16" thick Secondary Desk				
X End – 1 9/16" thick Secondary Desk				

SAMPLE ORDER CODE

BSSL M	N	H	24	36
---------------	----------	----------	-----------	-----------

PRODUCT OPTIONS CONTINUED

Drawer Front Finish	Case Finish	Pull Style	Pull Finish	Key Style
Source Laminate Flintwood (No Cathedral)	Source Laminate Flintwood (No Cathedral)	9 Rectilinear	Foundation Mica	N No Lock K Keyed Alike R Keyed Randomly

SAMPLE ORDER CODE CONTINUED

XS	XS	9	Q	N
-----------	-----------	----------	----------	----------

See Pricing on the following page.

B S S L

**Lateral File for Secondary Desk
(Continued)**

**DIMENSIONS
INCHES / MM**

PRICING

DIMENSIONS INCHES / MM		POSITION – WORKSURFACE THICKNESS (C, D, M, X)			POSITION – WORKSURFACE THICKNESS (C, D, M, X)		
		LOW (L)		FLINTWOOD CASE FINISH	HIGH (H)		FLINTWOOD CASE FINISH
		DRAWER FRONT FINISH					
D	W	Source Laminate	Flintwood	Flintwood	Source Laminate	Flintwood	Flintwood
20 / 508	18 / 457	701	1100	1864	1050	1659	2518
20 / 508	24 / 610	734	1122	1955	1144	1739	2647
20 / 508	30 / 762	805	1199	2050	1195	1799	2783
20 / 508	36 / 914	875	1391	2140	1283	2076	2914
20 / 508	42 / 1067	955	1611	2246	1382	2398	3069
24 / 610	18 / 457	701	1100	1864	1050	1659	2518
24 / 610	24 / 610	734	1122	1955	1144	1739	2647
24 / 610	30 / 762	805	1199	2050	1195	1799	2783
24 / 610	36 / 914	875	1391	2140	1283	2076	2914
24 / 610	42 / 1067	955	1611	2246	1382	2398	3069