

Livello Tables Basics

Livello workstation tables provide a freestanding, height-adjustable work surface with a refined aesthetic. Tables meet BIFMA height-adjustment ranges for sit-to-stand and sit-to-sit applications.

- **Worksurfaces** are available in Foundation Laminates, Seamless Color, Flintwood Stains and Natural Veneers
- **Table Tops** are available in three shapes, Rectangular (LVWR, LVFD, LVHU, LVHT) and Corner (LVCC) and Extended Corner (LVER)
- All worksurfaces have squared corners
- Actual depths are 1" less than nominal, and widths are 2" less than nominal
- Grommets are available for cable management, left, right or centered

- **Livello Cable Tray** manages wires below the work surface
- Two mounting versions are available – Standard which mounts to the underside of the work surface, and Modesty, which mounts directly to a modesty panel
- Trays are available from 36" to 84" widths in 6" increments with certain restrictions
- Standard mount does not mount to screen
- Modesty panel mounting is not available for 72" to 84" widths
- Standard cable tray is 18" shorter than the nominal size – the size should be selected to match the width of the table selected
- Modesty cable trays should be selected to match the width of the modesty panel selected

Electric Mechanism

- The Control Box used for all electric mechanism tables is concealed within the center channel
- Standard power cord length is 9'

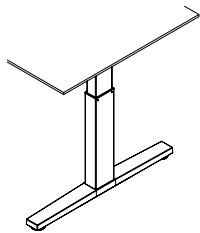
Aesthetic & Comfort

Livello introduces a spacious work environment by removing the support brace at knee level

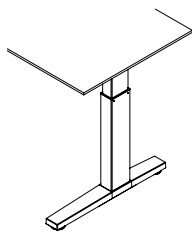
- **User Orientation** can be specified left or right handed for electric and crank tables to determine which side the adjustment mechanism or switch is located

Vertical Wire Management

- All Livello tables can feature an e-Chain in Platinum Grey and Black plastic
- When e-Chain is specified for an electric mechanism, a 7' extension cord is included



T-leg used with 30" and 36" deep worksurfaces and Corner Tables (LVCC)

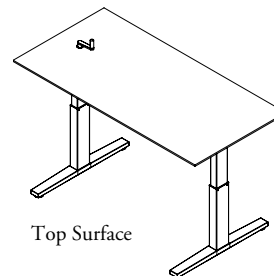
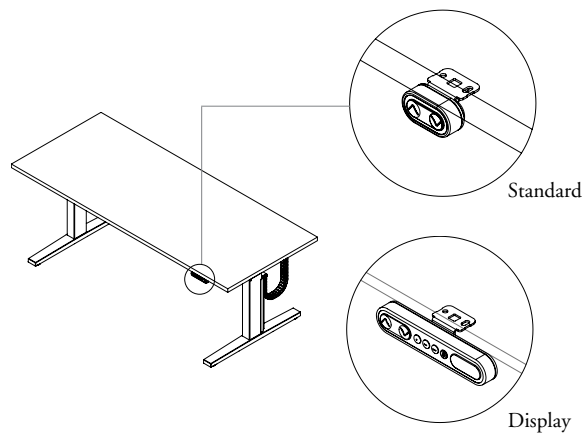


C-leg used with 24" deep worksurfaces and Extended Corner (LVER)

Livello Tables Basics (Continued)

height-adjustment types

Three height-adjustment mechanisms are available on Livello workstation tables.

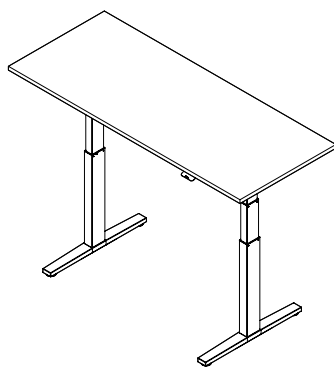


Electric

- Undersurface switch available with up/down function (standard) or a programmable function with three memory settings and a display (optional)
- Supports sit-to-stand height-adjustment
- 0.1 Watt resting power draw

Crank Adjustment

- Crank handle rotation provides up/down function
- Top surface crank handle can be removed and stored beneath the worksurface with the supplied clip
- Supports sit-to-sit height-adjustment



Counterbalance

- Release handle allows up/down function
- Charging crank handle is stored beneath the worksurface and is only used to add/subtract counterbalance charge for the table. Proper counterbalance charge is essential to maximizing table performance
- Supports sit-to-stand height-adjustment

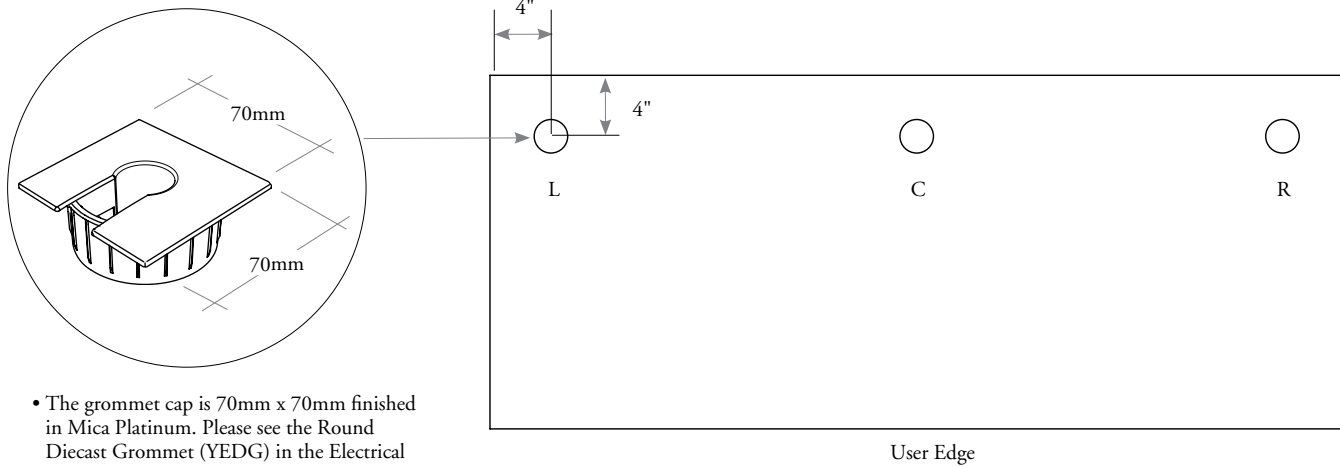
Livello Grommets

Livello grommets allow clean, easy and aesthetically pleasing pass through of wire beneath the worksurface.

grommets (optional)

Standard on all non upStage Livello Tables (LVWR, LVFD, LVCC, LVER).

Can be specified left, right or centered, and are inset 4" on center from the rear and 4" on center from the edge.

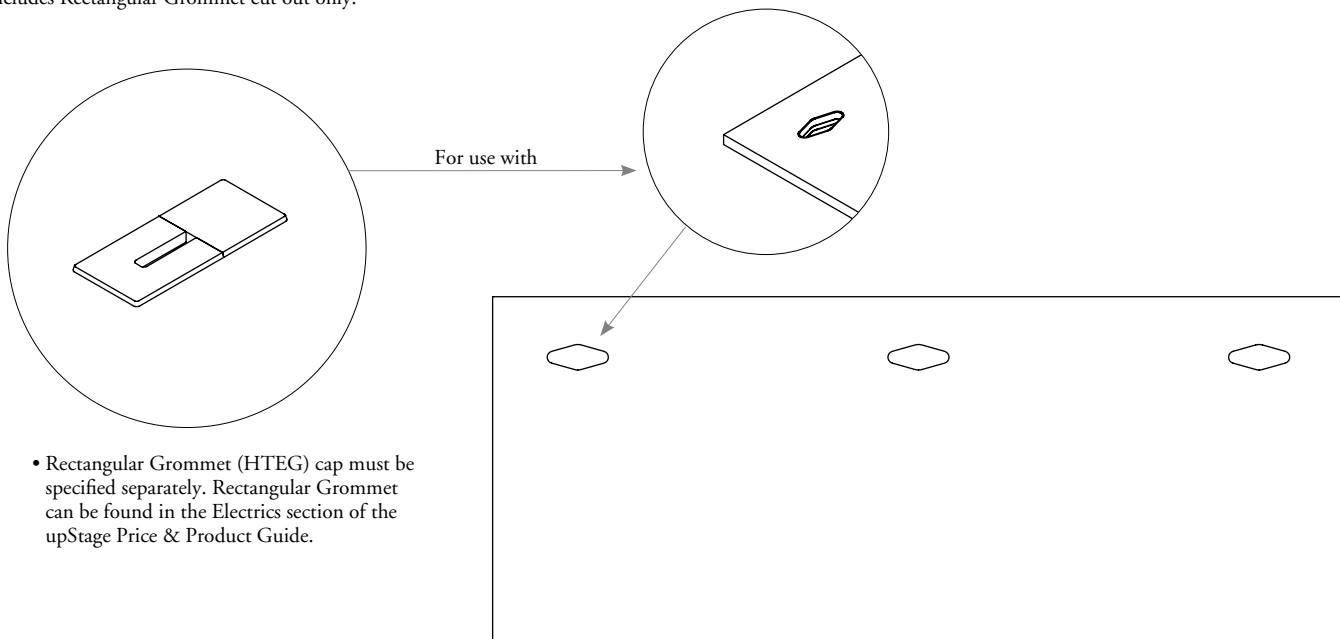


- The grommet cap is 70mm x 70mm finished in Mica Platinum. Please see the Round Diecast Grommet (YEDG) in the Electrical Section
- The grommet hole is 2-3/4" diameter

grommets cut outs (optional)

Used on upStage specific Livello Tables (LVHT, LVHU).

Includes Rectangular Grommet cut out only.


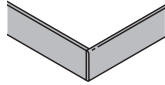

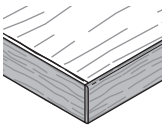
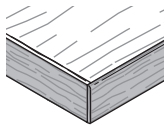
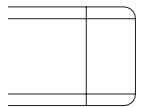
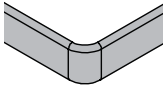
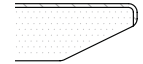

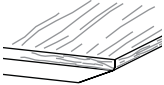
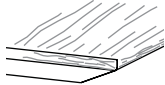
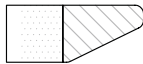


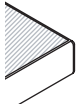
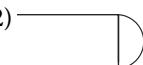
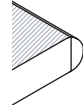




- Rectangular Grommet (HTEG) cap must be specified separately. Rectangular Grommet can be found in the Electrics section of the upStage Price & Product Guide.

The chart below indicates which edge trim styles can be specified with all Height-Adjustable Tables surface finishes.

Livello Edge Trim Style Overview

All edge finishes will automatically default to match the surface finish selected with the exception of the Straight Trim (6), Bullnose Trim (2) and Flat Trim (8) which requires that an edge trim color be chosen.

		Foundation Laminate Surface	Seamless Color Surface	Flintwood Surface	Natural Veneer Surface	Non-User Edge
Flat (8) All Edges			n/a	n/a	n/a	n/a
Flat (9) All Edges		n/a	n/a			n/a
Flat (G) All Edges		n/a		n/a	n/a	n/a
Full Knife (H)			n/a			
Full Knife (X) All Edges		n/a		n/a	n/a	
Straight Trim (6) User Edge			n/a	n/a	n/a	Straight Trim (6)
Bullnose Trim (2) User Edge			n/a	n/a	n/a	Finished in a coordinating Flat Trim
Seamless Eased Edge (E) User Edge		n/a		n/a	n/a	Finished in a Pointed Flat Edge

Livello Planning with District Low Credenzas

Livello workstation tables can be integrated with District Low Credenzas to provide a consistent aesthetic with non height-adjustable workstations. Two methods of planning are available, side overlap and front overlap. The following should be taken into consideration when planning with District Low Credenzas. Not to be used with high credenzas.

side overlap - electric & top surface crank tables

The overlap will always be 4" from the front facing edge of credenzas.

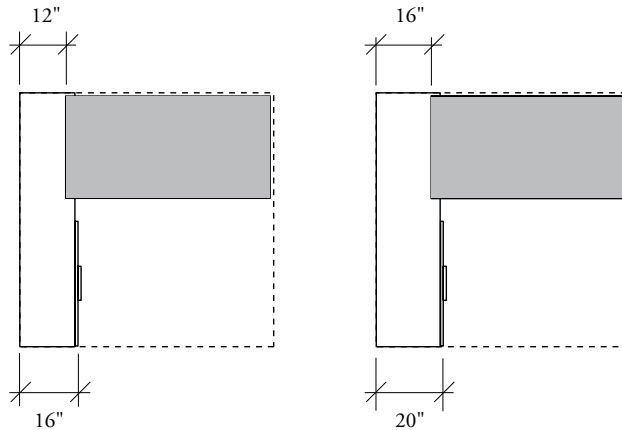
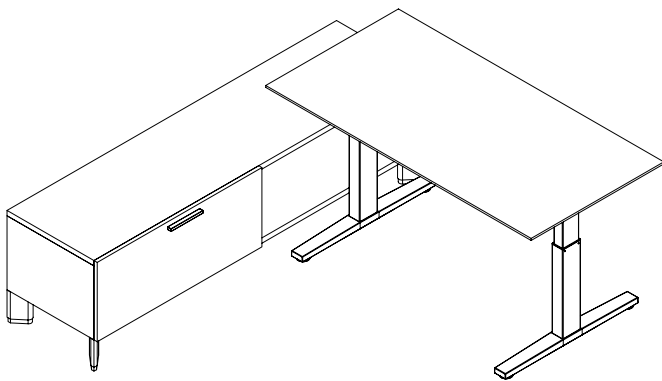
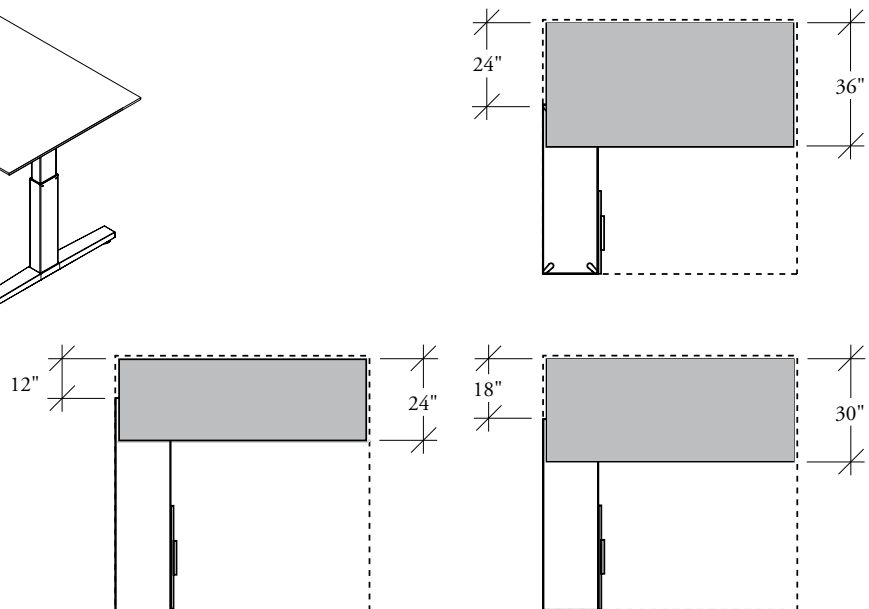
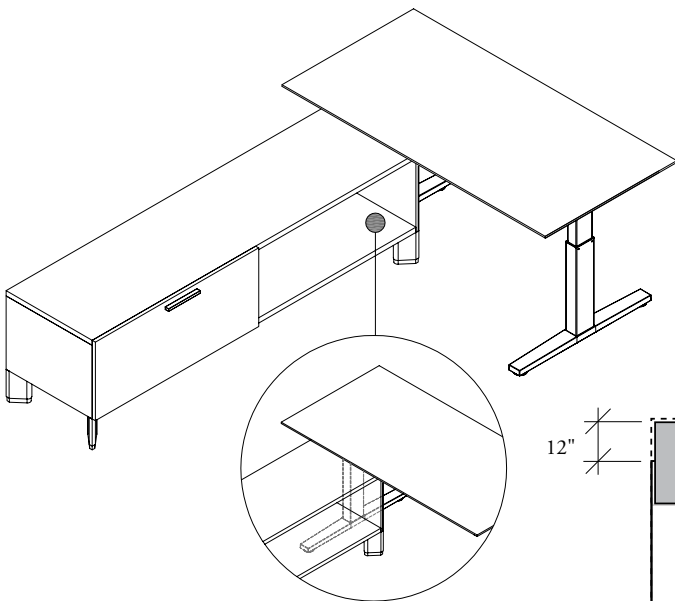


Table legs are inset to allow them to overlap the credenza.

front overlap



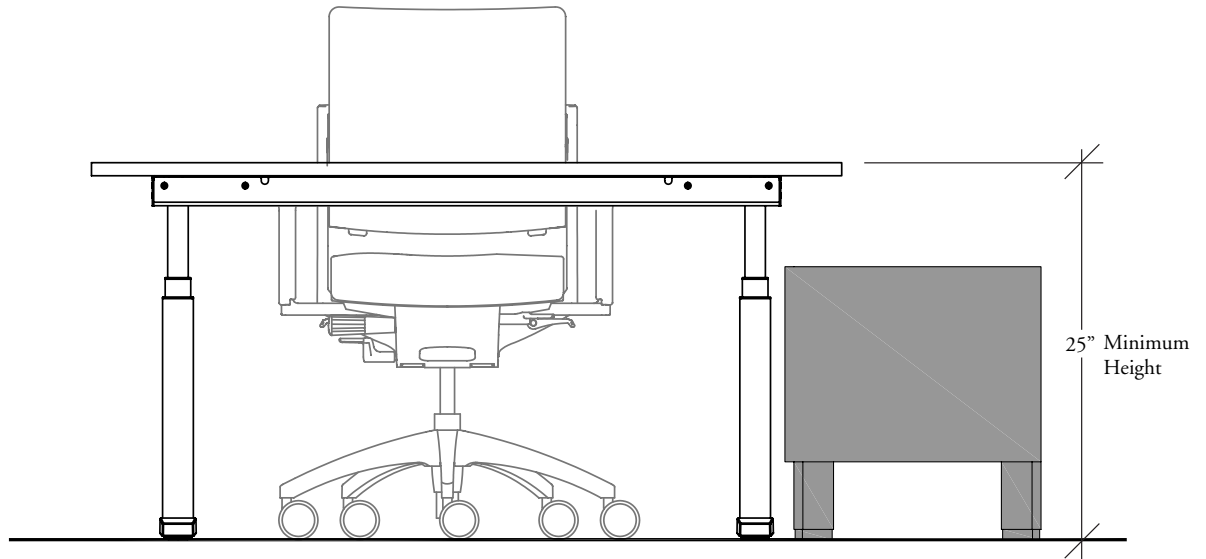
The credenza is offset to allow the table to extend the entire width of the space – the leg of the table will extend under the legs of the credenza (applicable to both angled foot and the standard District elevated leg).

The credenza is offset based on the depth of the table being used – for the 36" depth table the credenza must be offset 24", for 30" depth the credenza must be offset 18", and for the 24" depth the credenza must be offset by 12".

Livello workstation tables can be integrated with District Low Credenzas to provide a consistent aesthetic with non height-adjustable workstations. Two methods of planning are available, side overlap and front overlap. The following should be taken into consideration when planning with District Low Credenzas. Not to be used with high credenzas.

Livello Planning with District Low Credenzas (Continued)

height-adjustability



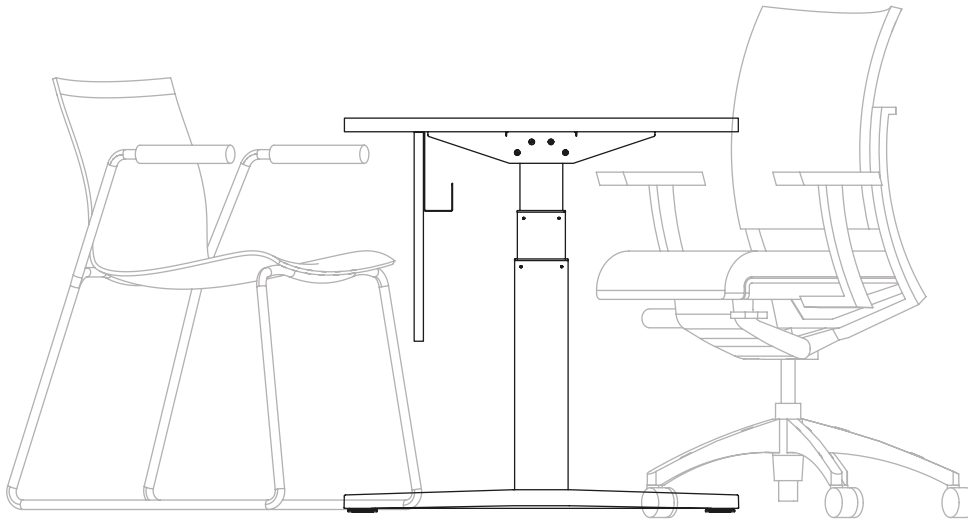
When an extended range electric table is selected to overlap a District low credenza, the “credenza” option must be specified for appropriate pinch clearance and safety precautions – the 25” minimum height still provides a gap between the top of the credenza and the underside of the table

Livello Planning with Screens

A selection of District and Complements screens are available for use with the Livello tables. The following outlines the planning recommendations and restrictions for each.

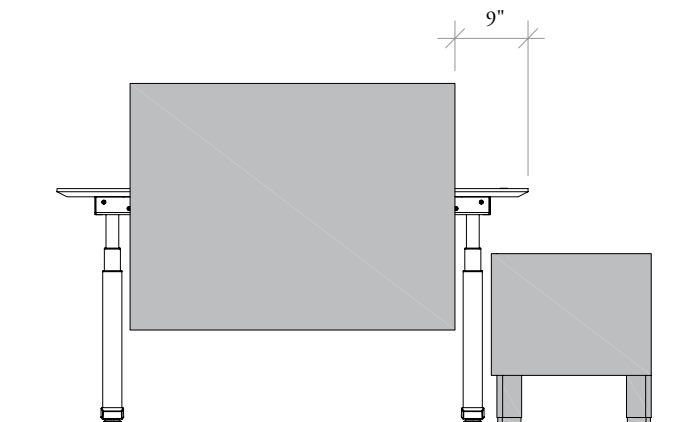
modesty panel

- The suggested set back for the modesty panel to allow for guest seating is:
 2" for 24" depth surfaces | 6" for 30" depth surfaces | 12" for 36" depth surfaces
- When the extended range electric extended table is at it's lowest position, the modesty panel will be 5" above the floor



storage interference

- To avoid interference with storage credenzas it is recommended that screens be specified 18" narrower than the nominal width of the table on which it is being mounted (9" x 2 sides)
- When the extended range electric extended table is at its lowest position, the modesty panel will be 5" above the floor. This table **cannot** overlap any secondary furniture
- When the extended range electric credenza table is at its lowest position, the modesty panel will be 8" above the floor. This table **cannot** overlap any secondary furniture



A selection of District and Complements screens are available for use with the Livello tables. The following outlines the planning recommendations and restrictions for each.

Livello Planning with Screens (Continued)

screen application

Four styles of screens (including the District modesty panel) are recommended for use with the Livello table. The following chart outlines the compatible sizes. Standard on all non upStage Livello Tables (LVWR, LVFD, LVCC, LVER).

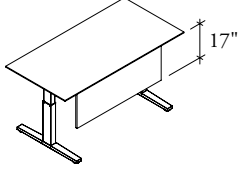
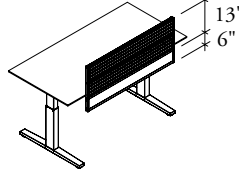
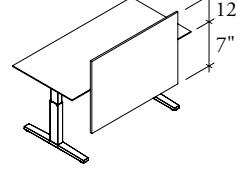
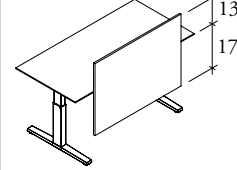
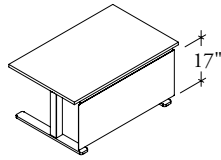
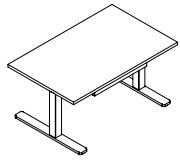
Table Width	UNSM  Modesty Panel	YFXR  fx Table Rail	UNSD E  Desk Edge Screen	UNSFDE  Full Desk Edge Screen
42"	-	-	23" - 24", 36" - 40"	24" - 28"
48"	-	36" - 42"	23" - 34", 36", 42" - 46"	34" - 35", 42" - 46"
54"	24" - 36"	24", 48"	23" - 36", 48", 52"	23" - 24", 48" - 52"
60"	24" - 42"	24" - 30", 42", 54"	23" - 42", 49"	23" - 42", 54" - 58"
66"	24" - 48"	24" - 48", 60"	23" - 55"	23" - 48", 60" - 64"
72"	24" - 54"	24" - 54", 66"	23" - 61"	23" - 54", 66" - 70"
78"	24" - 60"	24" - 60", 72"	23" - 67"	23" - 59", 72" - 76"
84"	24" - 66"	24" - 66", 78"	23" - 73"	23" - 66", 78" - 82"

Table Width	YHMP  Height-Adjustable Modesty Panel	YHWT  Complements Wire Tray
42"	30" - 42"	42"
48"	30" - 48"	42", 48"
54"	30" - 54"	42" - 54"
60"	30" - 60"	42" - 60"
66"	30" - 66"	42" - 66"
72"	30" - 72"	42" - 72"
78"	30" - 78"	42" - 78"
84"	30" - 84"	42" - 84"

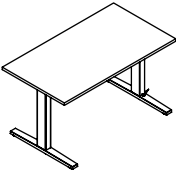
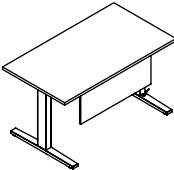
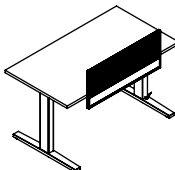
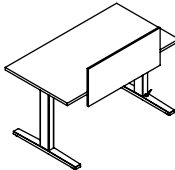
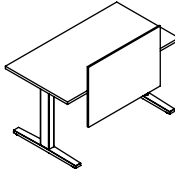
- Full Desk Edge Screen **not** to be used on Livello tables with 24" deep worksurfaces
- Desk Edge Screens in glass are **not** recommended for use with Livello tables

Livello Planning with Screens (Continued)

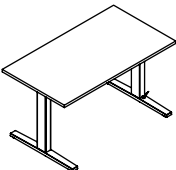
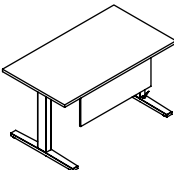
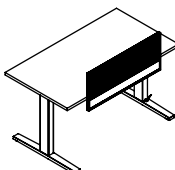
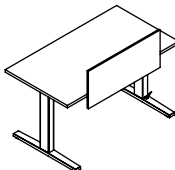
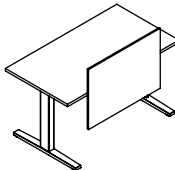
A selection of District and Complements screens are available for use with the Livello tables. The following outlines the planning recommendations and restrictions for each.

screen application

Four styles of screens (including the Modesty Panel) are recommended for use with the Livello upStage Integrated Height-Adjustable Table (LVHT). The following chart outlines the compatible sizes.

Table Width	LVWR	UNSM	YFXR	UNSD E	UNSFDE
42"					
24" - 30"	-	-	-	24" only	24" only
48"	24" - 36"	-	36" only	all sizes available	36" only
54"	24" - 42"	24" - 36"	24" only	24" - 36"	24" only
60"	24" - 48"	24" - 42"	24", 30", 42"	24" - 42"	24" - 42"
66"	24" - 54"	24" - 48"	24" - 48"	all sizes available	24" - 48"
72"	24" - 60"	24" - 54"	24" - 54"	all sizes available	24" - 54"

Four styles of screens (including the Modesty Panel) are recommended for use with the Livello upStage Freestanding Height-Adjustable Table (LVHU). The following chart outlines the compatible sizes.

Table Width	LVHU	UNSM	YFXR	UNSD E	UNSFDE
42"					
24" only	-	-	-	24" only	24" only
48"	24" - 30"	-	-	all sizes available	-
54"	24" - 36"	all sizes available	24" only	all sizes available	24" only
60"	24" - 42"	all sizes available	24", 30", 42"	all sizes available	all sizes available
66"	24" - 48"	all sizes available	all sizes available	all sizes available	all sizes available
72"	24" - 54"	all sizes available	all sizes available	all sizes available	all sizes available