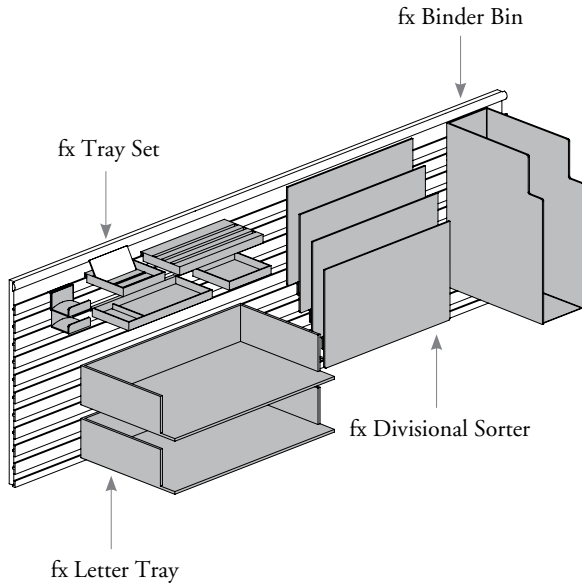


suggested fx accessory combinations

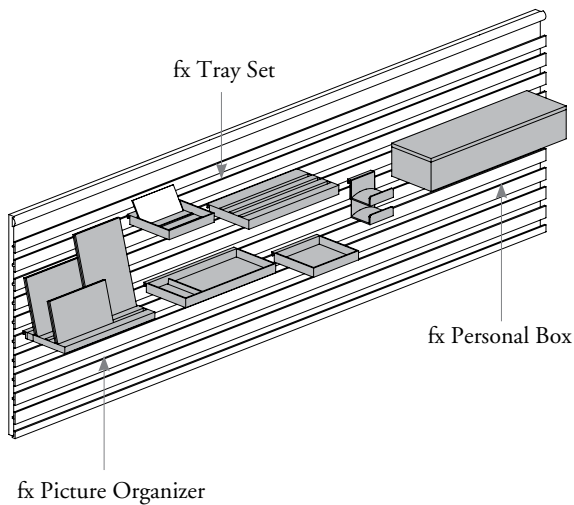
The following are suggested combinations of fx accessories to accommodate the needs of different workstations.



fx Accessory Combination 1: Resident Worker – Traditional

- Ideal for larger stations – paper based work
- Permanent occupant

Qty	Product	Code	Price	Total
1	fx Tray Set	YFXT	\$ 100	\$ 100
1	fx Divisional Sorter	YFXD	\$ 161	\$ 161
1	fx Binder Bin	YFXB	\$ 59	\$ 59
2	fx Letter Tray	YFXL	\$ 61	\$ 122
Total for fx Accessory Combination 1				\$ 442

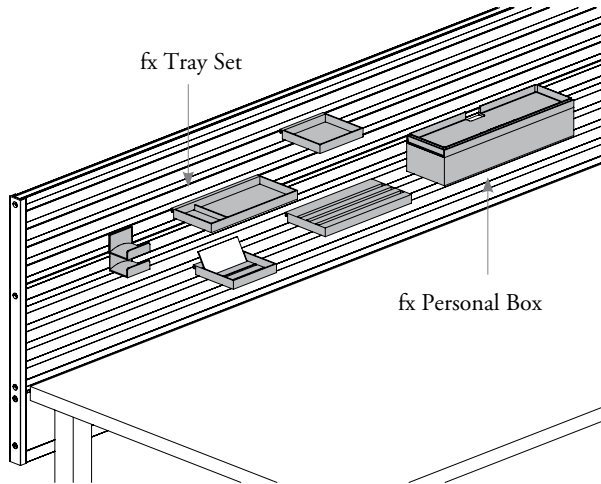


fx Accessory Combination 2: Resident Worker – Modern

- Ideal for smaller stations
- Permanent occupant

Qty	Product	Code	Price	Total
1	fx Tray Set	YFXT	\$ 100	\$ 100
1	fx Picture Organizer	YFXO	\$ 61	\$ 61
1	fx Personal Box	YFXP	\$ 81	\$ 81
Total for fx Accessory Combination 2				\$ 242

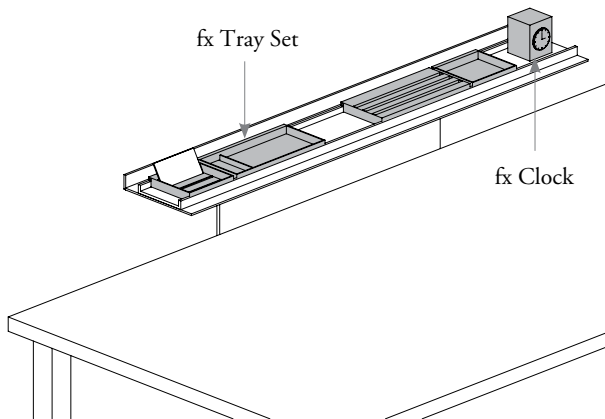
suggested fx accessory combinations (continued)



fx Accessory Combination 3: Touchdown Worker

- Ideal for smaller stations
- Daily/weekly touchdown spaces
- No ownership of space
- Can be mounted onto the fx Table Rail (YFXR) – Full Rail option shown

Qty	Product	Code	Price	Total
1	fx Tray Set	YFXT	\$ 100	\$ 100
1	fx Personal Box	YFXP	\$ 81	\$ 81
Total for fx Accessory Combination 3				\$ 181



fx Accessory Combination 4: Consultant Station

- Ideal for smaller stations
- Station assignment based on project
- Can be mounted onto the fx Desk Tray (YFXY)

Qty	Product	Code	Price	Total
1	fx Tray Set	YFXT	\$ 100	\$ 100
1	fx Clock	YFXC	\$ 140	\$ 140
Total for fx Accessory Combination 4				\$ 240