

worksurface supports & accessories

The xm Post Leg is a secondary support used to provide additional support at the end of a run of worksurfaces or to join adjacent worksurfaces.

TXPL xm Post Leg

WHAT'S INCLUDED

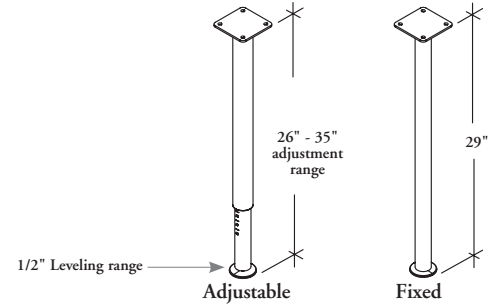
1 leg (as specified) and mounting hardware.

NOTES

Freestanding desks may **not** be created with the xm Post Leg.

Not compatible with xm Desks.

Levelers have an Anodized Aluminum finish.



PRODUCT OPTIONS

Leg Type	Finish
1 Fixed	Foundation
2 Adjustable	Mica

SAMPLE ORDER CODE

TXPL 1	N
--------	---

LEG TYPE

1
2

PRICING

Foundation	Mica
137	153
175	193