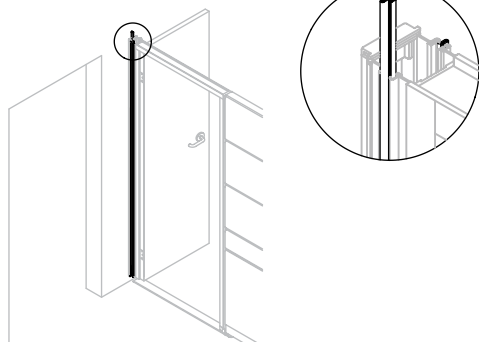


# panel connections & trims

## PH

### Panel Hinge



The Panel Hinge is used to connect panels in situations where Posi-Locks cannot be used and to connect panels manufactured prior to November, 1987.

#### WHAT'S INCLUDED

30 hinges in 15" lengths.

#### PRODUCT OPTIONS

Style	Finish
40 For All Panel Types	Foundation

180

#### SAMPLE ORDER CODE

PH 40	P
-------	---

#### PRICING

61 / Quantity 30
------------------