

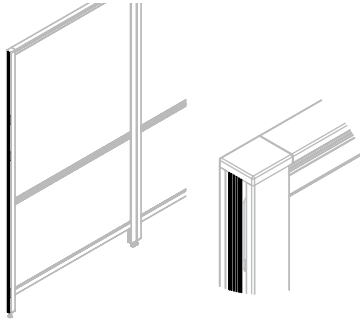
H E T

Thin Panel End Trim (Lyft)

The Thin Panel End Trim finishes the full panel end height at all exposed corner and end run locations.

WHAT'S INCLUDED

1 trim, as specified.



PRODUCT OPTIONS

| Height | Finish |
|------------|--------------------|
| 42, 51, 66 | Foundation Mica |

186

SAMPLE ORDER CODE

| | |
|--------|---|
| HET 42 | C |
|--------|---|

DIMENSIONS INCHES / MM

PRICING

| H | |
|-----------|----|
| 42 / 1067 | 24 |
| 51 / 1295 | 25 |
| 66 / 1676 | 27 |