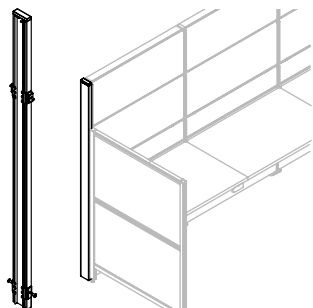


H C E S

End Run 90° Connector/Spacer (Lyft)



The End Run 90° Connector/Spacer creates a finished full height 90° angle end run connection between a Lyft Thin Panel and a T/O/S Panel (two-way connection) or two Lyft Thin Panels and a T/O/S Panel (three-way connection).

WHAT'S INCLUDED

1 spacer (including cap), 2 left connection brackets, two right connection brackets.

PRODUCT OPTIONS

Spacer Height	Finish
36, 42, 51, 66	Foundation Mica

I84

SAMPLE ORDER CODE

HCES 42	Q
---------	---

DIMENSIONS INCHES / MM

H
36 / 914
42 / 1067
51 / 1295
66 / 1676

PRICING

Foundation	Mica
190	207
198	212
207	207
220	235