

Livello Meeting Table Basics

Livello meeting tables are flip-top meeting tables and have the ability to be height-adjustable. They are available in a variety of shapes and sizes.

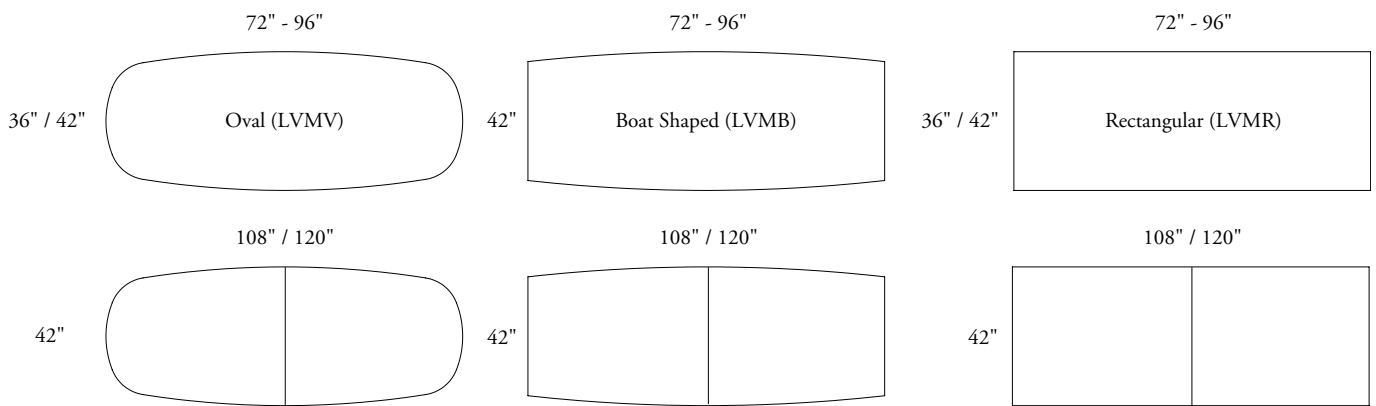
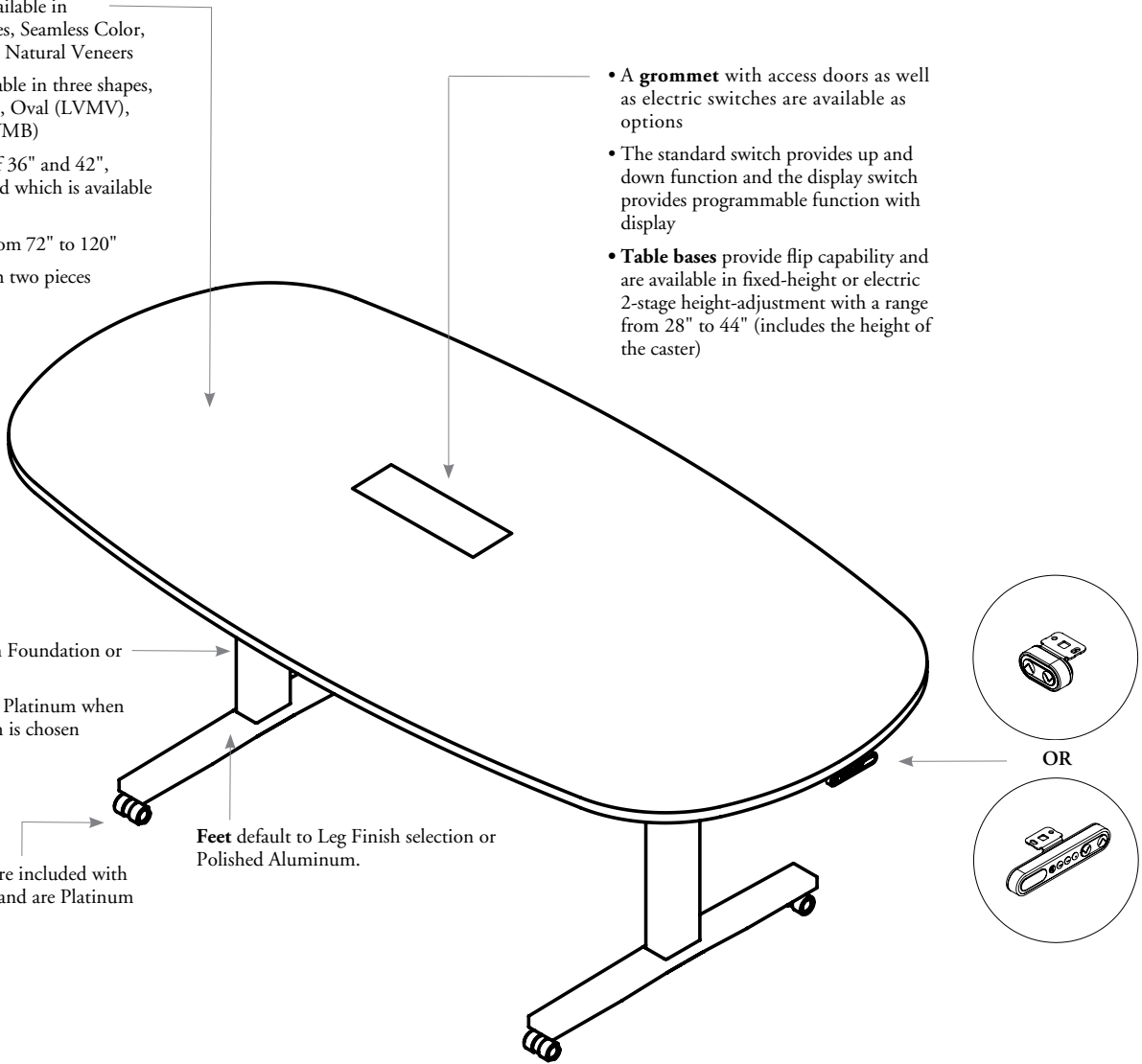
- **Worksurfaces** are available in Foundation Laminates, Seamless Color, Flintwood Stains and Natural Veneers
- **Table Tops** are available in three shapes, Rectangular (LVMR), Oval (LVMV), and Boat Shaped (LVMB)
- Available in depths of 36" and 42", except for Boat shaped which is available in 42" depth only
- Available in lengths from 72" to 120"
- Tables over 96" are in two pieces

- A **grommet** with access doors as well as electric switches are available as options
- The standard switch provides up and down function and the display switch provides programmable function with display
- **Table bases** provide flip capability and are available in fixed-height or electric 2-stage height-adjustment with a range from 28" to 44" (includes the height of the caster)

- **Legs** are available in Foundation or Mica colors
- Leg is painted Mica Platinum when polished foot option is chosen

Casters are included with all tables and are Platinum Grey.

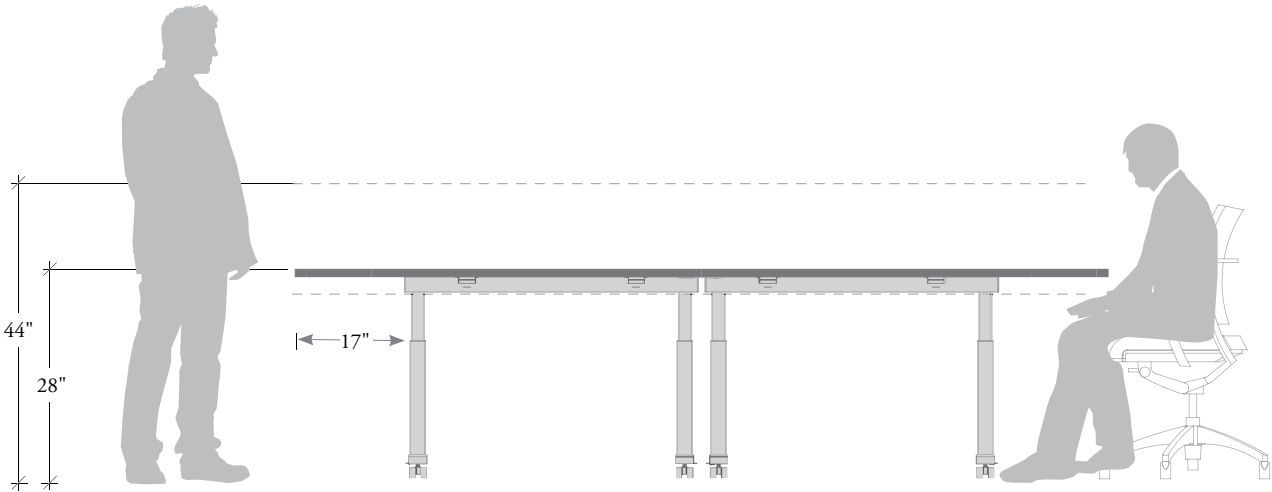
Feet default to Leg Finish selection or Polished Aluminum.



The following outlines the features of Livello Meeting tables.

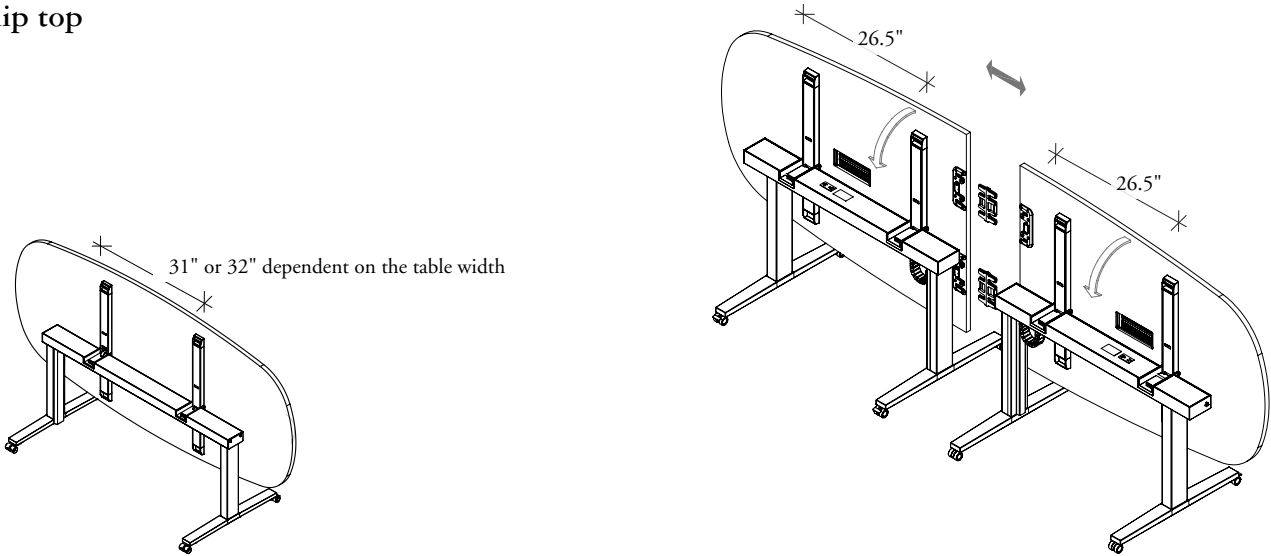
Livello Meeting Table Features

adjustment range



Meeting Tables have an optional height-adjustment range from 28" to 46" (including the height of the caster), to facilitate standing meetings and multi-function room applications

flip top



One Piece Table

- Complete with grey plastic flip mechanism handles –the table is in a locked position when down, and the user releases the handle to allow the table to flip –the table also locks in the flipped position for safety –the same handle must be released to return the table to the down position
- The handle spacing varies depending on the size of the table – handles are spaced 31" center to center on the 72", 78" and 84" tables, and 32" on center for the 96" table
- A piston is integrated into the struts of the beam to dampen movement when lowering the table surface

Two Piece Table

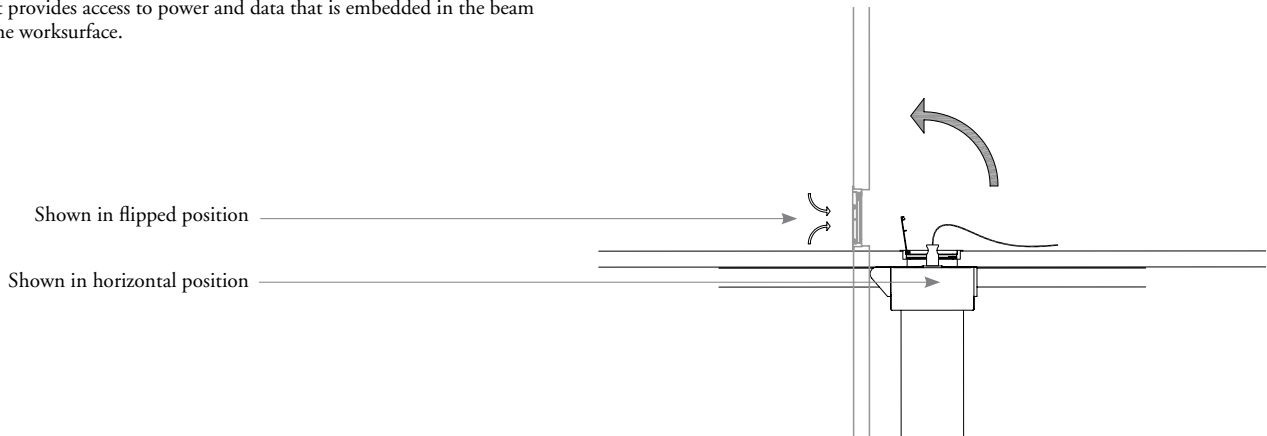
- Complete with two separate bases and separate mechanism handles –the handle spacing for two piece tables is 26.5" center to center
- Table surfaces are connected with quick-disconnect brackets
- Tables can be flipped either joined together, or independently, but once the tables are separated, they can not be individually raised

Livello Planning with Power & Communications

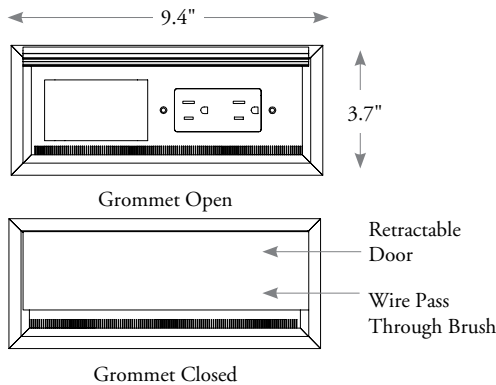
The Livello Meeting Table accommodates electrics and data and is accessed by a grommet in the top of the worksurface. The tables also have the option to be height-adjustable, switched either on the top of the surface, or below.

grommets

The grommet provides access to power and data that is embedded in the beam underneath the worksurface.



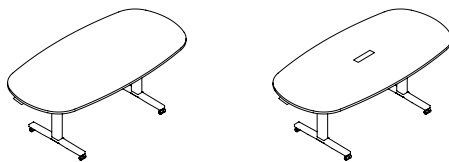
- Grommets are centered on a one piece table, or centered on both sections of a two piece table
- The grommet is 9.4" x 3.7"
- The frame and door are finished in anodized aluminum
- Each unit includes one duple outlet and one data opening, the data opening fits all standard data protocol
- The plastic cover and duplex are Grey



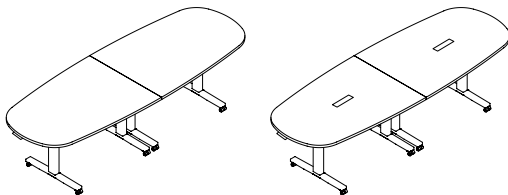
grommet locations

Under Worksurface Mounted Switch

One-Piece Tables



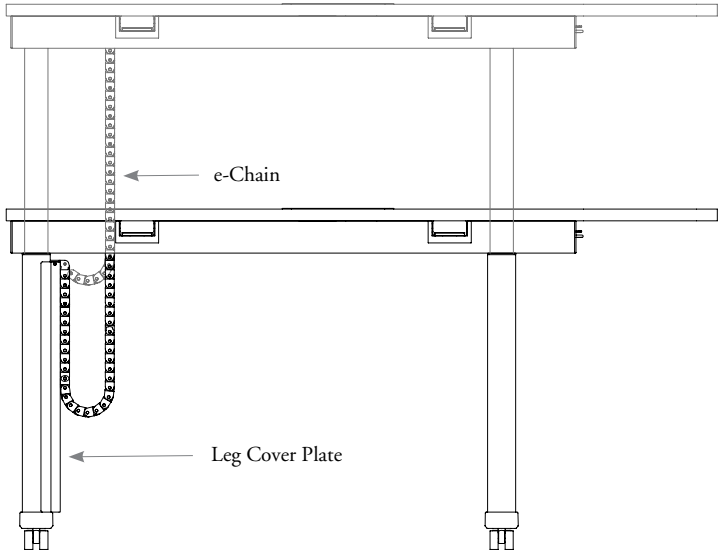
Two-Piece Tables
One switch provided for electric tables



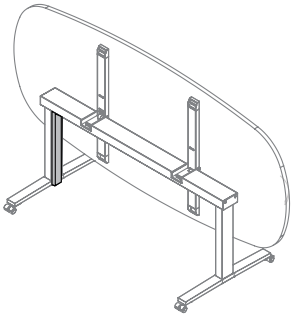
The Livello Meeting Table accommodates electrics and data and is accessed by a grommet in the top of the worksurface. The tables also have the option to be height-adjustable, switched either on the top of the surface, or below.

Livello Planning with Power & Communications (Continued)

vertical cable manager

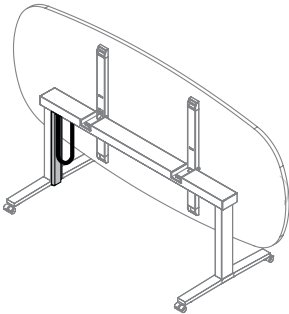


- The vertical cable manager carries power and data cables from the beam to the floor
- It is included on all height-adjustable meeting tables and optional on the fixed height table
- On the height-adjustable table a Platinum Grey e-Chain flexible cover is also included with the leg cover plate
- Mounts to either leg of the table



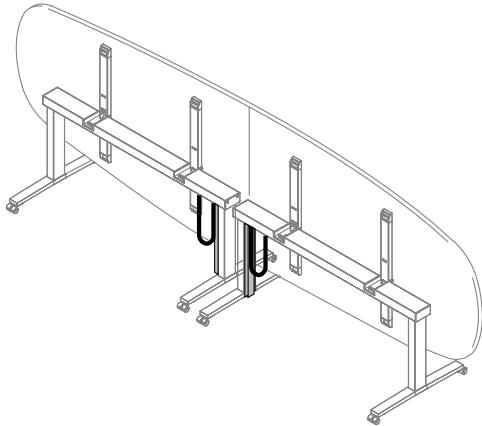
One Piece Table Fixed-Height

- The optional cover mounts to either leg on the fixed-height table



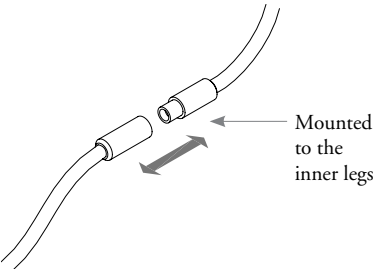
One Piece Table Height-Adjustable

- On the one piece height-adjustable table the cover with e-Chain is standard and can mount to either leg



Two Piece Table Height-Adjustable

- On the two piece height-adjustable table two covers with e-Chains are standard and are mounted on the inset of each center leg



- Two piece height-adjustable tables require a communication link connected between the two units by a manual plug-in
- Individual tables cannot be raised or lowered without being connected
- The power feed for each mechanism is separate