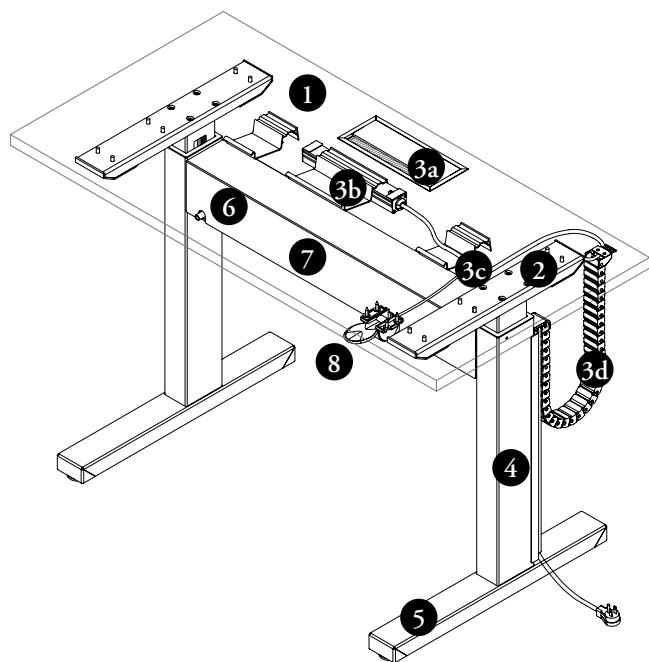


complements height-adjustable tables overview (YHRE)

The Height-Adjustable Table promotes healthy postures and is available as a complete table or as a base only.



- 1 Worksurface
- 2 Strut
- 3 *Rectangular Grommet (Optional)
 - a) Flip Top Grommet
 - b) 6" Cable Manager with Integrated Power Bar
 - c) 3" Cable Manager (x2)
 - d) e-Chain
- 4 Leg
- 5 Foot
- 6 **Load Adjustment Crank
- 7 Cross/Support Brace
- 8 Handle/Switch

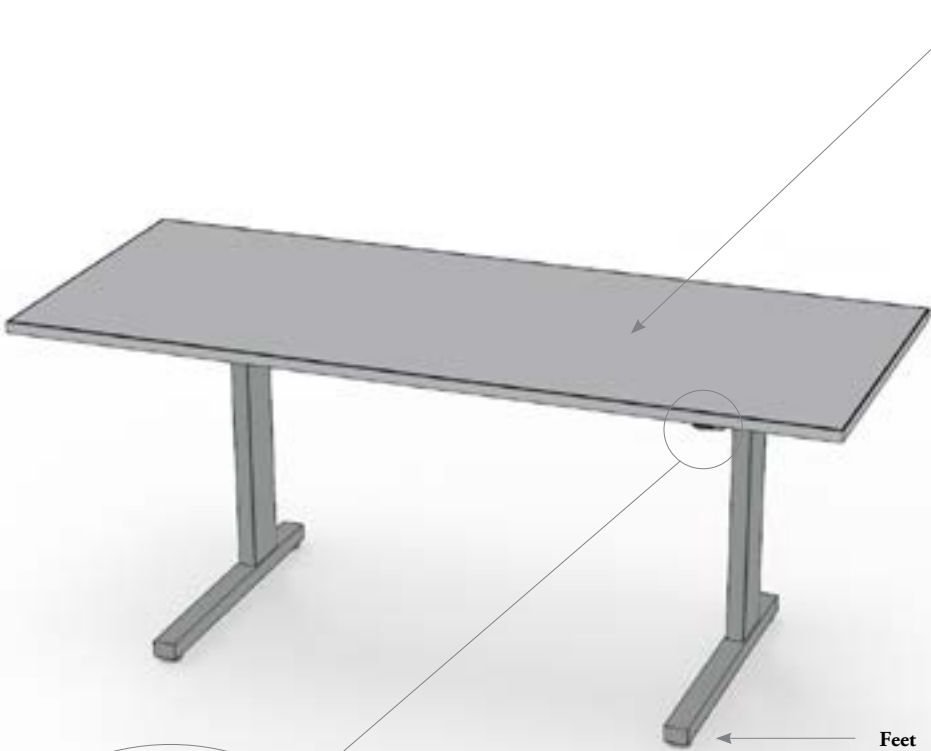
*Includes a, b, c and d

**Counterbalance mechanism only

The Height-Adjustable Table promotes healthy postures and is available as a complete table or as a base only.

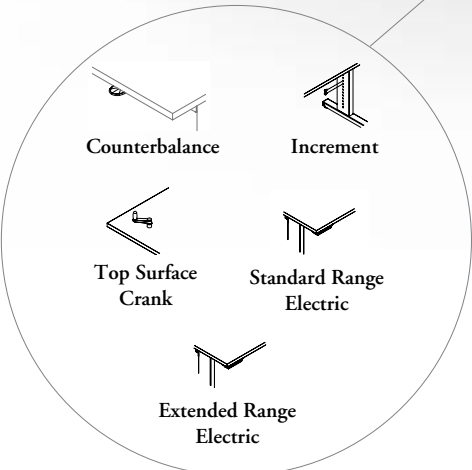
complements height-adjustable tables overview (YHRE) (continued)

height-adjustable table (YHRE)

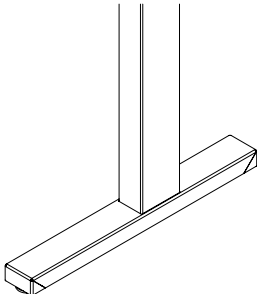


- Worksurface**
- All worksurfaces must have a 1" clearance around the sides and back for safety reasons
 - Top Surface Crank worksurface must have a 1" hole added to allow for crank handle installation
 - Optional Rectangular Grommet (R) provides surface to floor wire management
 - All surfaces have square corners.

- Feet**
- Available with optional Casters (C)



- Increment mechanism adjusts by 1" increment

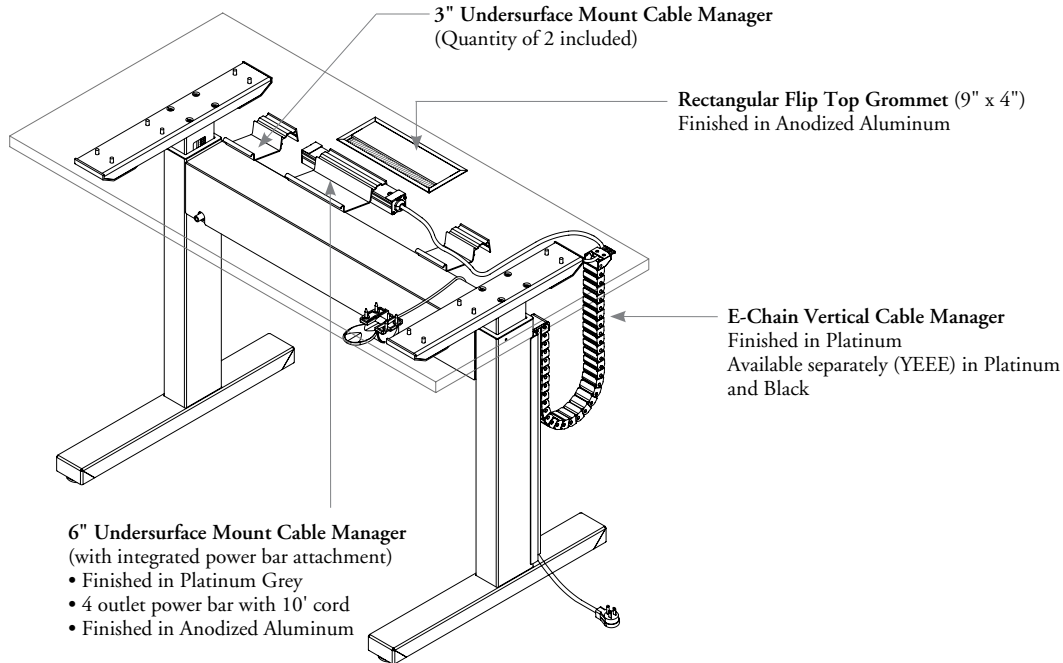


Standard Foot (S)

- Used on all tables
- Uses standard caster if specified
- Caster adds 2" to worksurface height

complements electrical & cable management

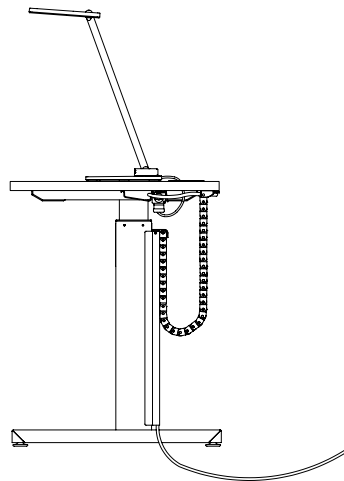
Rectangular Grommet (R) provides a complete worksurface to floor electrical and cable management solution



Rectangular Flip Top Grommet allows the cable to pass through the worksurface. Grommet includes a brush feature to stabilize cords.

Power Supply Plug is inserted in the power bar. Cable is managed using the 6" and 3" cable managers.

The 10' **Power Bar Cord** is managed in one of the 3" cable managers and the e-Chain down to the floor.



Cable from Tangent Task Light (YLTT) to the floor.