

The Monoleg is a single, cylindrical leg designed to be used in conjunction with panel-mounted supports to support semi-suspended worksurfaces.

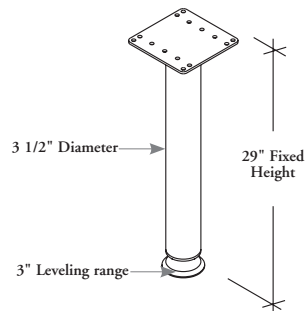
CZ29 Monoleg

WHAT'S INCLUDED

1 monoleg with leveler and fasteners.

NOTES

If Mica is specified, the leveler will be Black.



PRODUCT OPTIONS

Finish

Foundation

Mica

SAMPLE ORDER CODE

CZ29 E

PRICING

Foundation	Mica
129	169