

## marini overview

Fully-featured professional/executive seating with fine detailing suitable for image and performance minded professionals.

Marini Chairs are equipped with casters intended for use on carpeted surfaces. Use of these casters on hard surfaces could result in unexpected rolling and tipping. Casters designed for use on hard surfaces are available. If in doubt, see your dealer for appropriate selection.

Executive Task Chair with Synchro-Tilt shown.

### Marini – Synchro-Tilt Task Chair (NMAX)



---

### statement of line



High-Back –  
Height and Width  
Adjustable T-Arms  
(NMAXW)

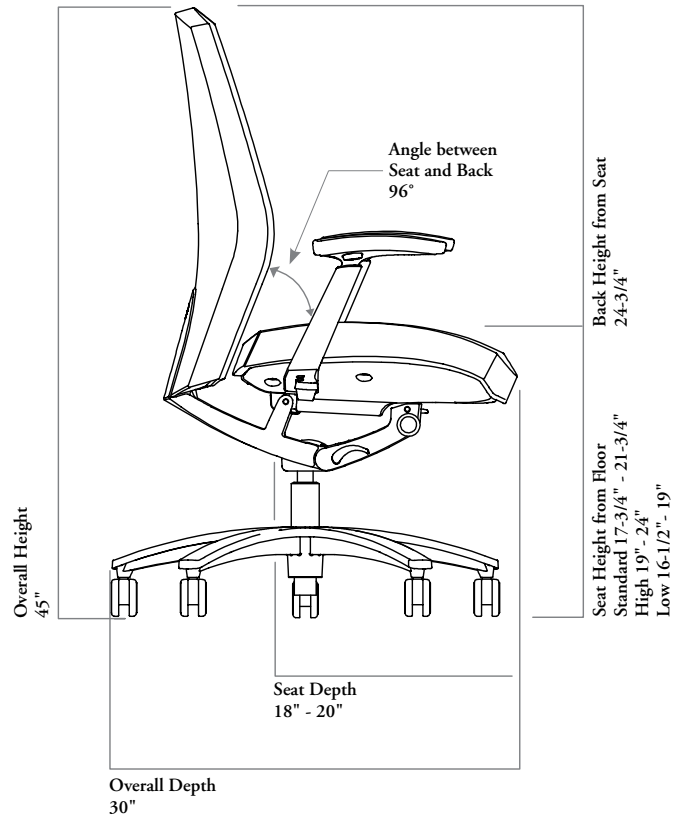
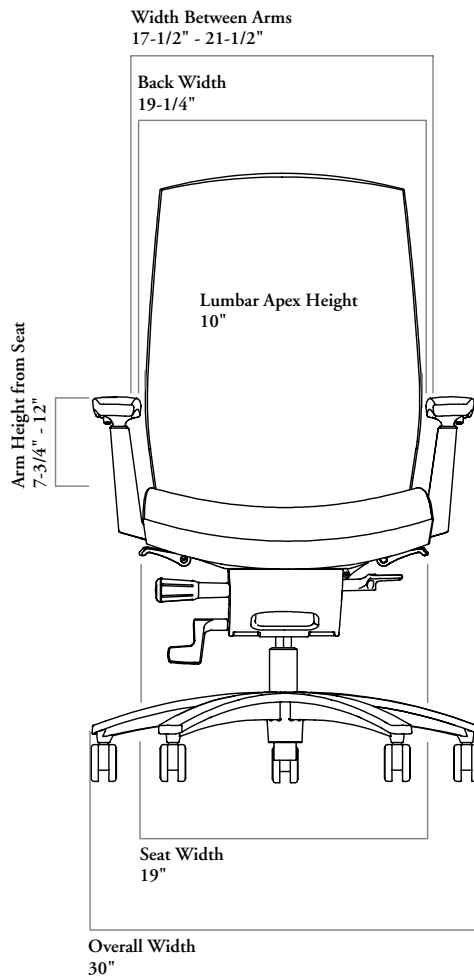
# marini dimensions & material requirements

## features

- Designed and tested for users up to 300 lbs
- Warranted for 24/7 application
- Meets ANSI/BIFMA Requirement

## weight

Task Chair	51 lbs
------------	--------



## COM/COL material requirement

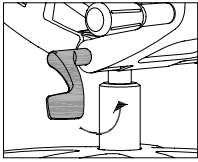
The pattern, repeat and directionality of fabric may increase the amount of yardage required.

Leather quantities should always be rounded up to the next hide size, as yields vary from 60-80% and are affected by the quality, size and shape of the hide, and by the location and quantity of blemishes.

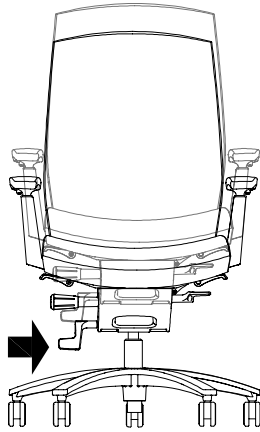
	SINGLE UPHOLSTERED		DUAL UPHOLSTERED – SEAT		DUAL UPHOLSTERED – BACK	
	COM [yards]	COL [sq. ft]	COM [yards]	COL [sq. ft]	COM [yards]	COL [sq. ft]
High-Back	2	28	1	11	1	17

# marini adjustment features & instructions

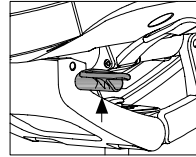
## seat height-adjustment



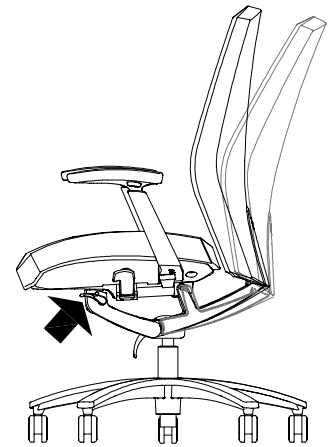
To raise the chair, lift the lever up while lifting your weight from the seat until you reach the desired level, then release to lock in place. To lower the chair, lift the lever up and allow your weight to push the seat down until you reach the desired level, then release to lock in place.



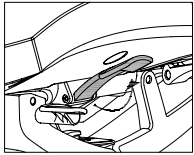
## back tilt adjustment



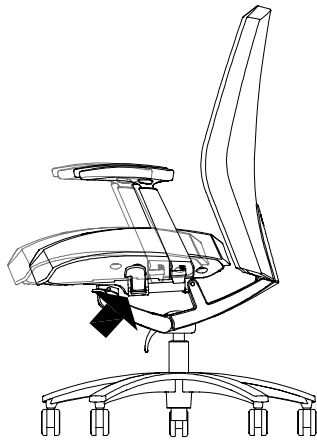
To adjust the angle of recline, push the lever down to unlock the back. Recline to the desired position and lift the lever up to lock in place or leave to allow backrest to recline freely.



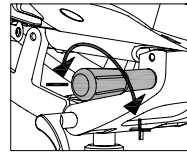
## seat depth adjustment



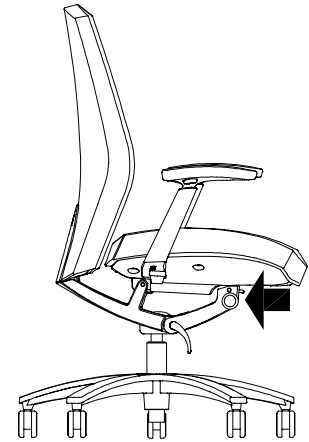
To adjust the seat depth, lift the lever up and simultaneously lift your weight from the seat while sliding the seat forward or backward. Release lever to lock the seat in place.



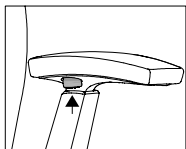
## tilt tension adjustment



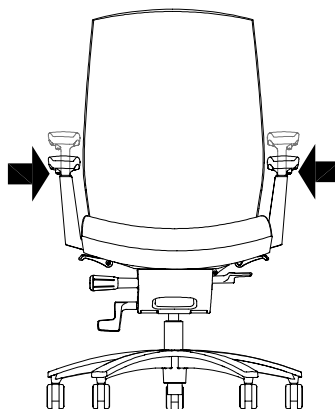
Leaning back, determine if the resistance of the chair is comfortable. For less resistance, pull tension adjustment knob out and turn it counter clockwise. For greater resistance, turn the knob clockwise.



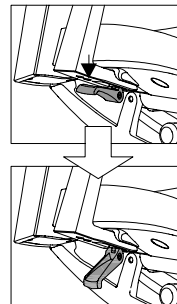
## arm height-adjustment



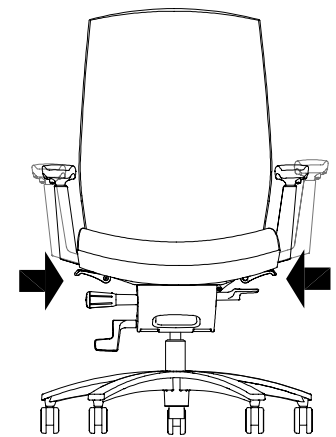
To adjust the arm height, press the button located under the armrest to raise or lower it to the desired position. Release the button to lock in place.



## arm width adjustment



To adjust width of each arm, push the lever down and slide the arm to the desired position. Push the lever up to lock the arm in place.



**FEATURES**

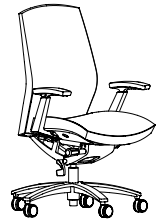
- Standard pneumatic cylinder provides height-adjustment of 4"
- Back-tilt can be locked in three positions or left free flow
- Frame and base is Aluminum
- Synchro-tilt 2:1 ratio
- Tension control
- Hard casters are standard and are well suited for soft flooring such as carpeting
- Soft casters are available for use on hard flooring, such as wood, concrete, or tile

**NOTES**

**Single Upholstered:** The same fabric is applied to the seat and back.

**Dual Upholstered:** Two different fabrics are applied to the chair, one fabric to the back and the other fabric to the seat. The first fabric listed will apply to the back and is the grade of fabric used to price the chair. A dual upholstery upcharge applies.

**N M A X**  
**Marini – Synchro-Tilt Task Chair**



**PRODUCT OPTIONS**

Headrest	Back Style	Arm Style	Upholstery Style	Back Upholstery Finish	Cylinder Style	Frame and Base Finish	Casters/ Glides (Optional)
N No Headrest	H High Back	W Height and Width Adjustable T-Arms	S Single Upholstered D Dual Upholstered	Fabric Leather  Seat Upholstery Finish (For Dual) Fabric Leather	1 Standard 2 High 3 Low	C9 Polished Aluminum	A Casters, Soft B Glides, Hard C Glides, Soft

**SAMPLE ORDER CODE**

NMAX N	H	W	D	M315	M309	1	C9	
--------	---	---	---	------	------	---	----	--

**DESCRIPTION**

**PRICE**

	Grade 1	COM/ Grade 2	COL/ Grade 3	Grade 4	Grade 5	Grade 6	Grade 7	Grade 8	Grade 9	Grade 10
Height and Width-Adjustable T-Arms	1500	1559	1616	1672	1728	1787	1844	1901	1958	2157
	Leather LA	Leather LB	Leather LC	Leather LD						
Height and Width-Adjustable T-Arms	2149	2255	2572	2678						

If Dual Upholstered (D) is specified	add	213
If Polished Aluminum (C9) is specified	add	70
If Soft Casters (A) are specified	add	24
If Hard Glides (B) are specified	add	24
If Soft Glides (C) are specified	add	37