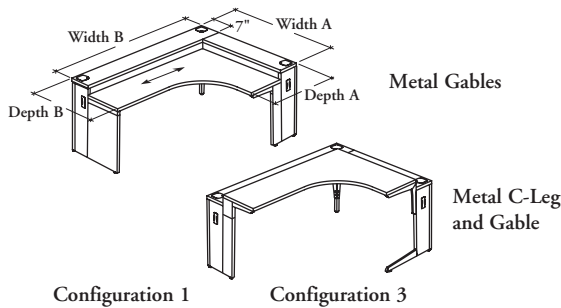


R J U S

Height-Adjustable Extended Corner Desk – Full and Half Gables



This height-adjustable desk is designed to maximize workspace space in confined areas.

WHAT'S INCLUDED

3 worksurfaces, 3 metal corner posts with levelers, 2 structural beams, 2 backplash, 1 adjustable full gable or 1 adjustable metal c-leg and 1 adjustable half-gable with levelers, 1 support plate, 1 linking plate, 1 corner support, worksurface brackets, wire management clips, grommets, and hardware.

WHAT'S EXCLUDED

Flush-Mounted Modesty Panels.

NOTES

This height-adjustable desk is semi-supported and must be connected to another desk adjusted at the same height on the half-gable side.

Height-adjustable desks cannot accommodate two stacked overhead cabinets.

Shared positioning allows shared power between back-to-back desks. Must be used in this application on all Height-Adjustable Desks.

338

PRODUCT OPTIONS

Gable Style	Depth A	Depth B	Width A	Width B	Worksurface Configuration	Worksurface Finish	Edge Trim Style	Edge Trim Finish	Gable and Grommet Finish
M Metal	24, 30	24, 30	42, 48, 54	60, 66, 72, 78, 84	1 Left handed worksurface, left full gable (Shown) 2 Right handed worksurface, right full gable 3 Left handed worksurface, right full gable (Shown) 4 Right handed worksurface, left full gable	Foundation Laminate	6 Straight Trim	Edge Trim Colors (for trim style 6)	Foundation Mica
C Metal C-Leg									

SAMPLE ORDER CODE

RJUS M	30	30	48	72	1	2D	6	4D	J
--------	----	----	----	----	---	----	---	----	---

DIMENSIONS – INCHES FOR MM X BY 25.4

Da	Db	Wa	Wb
24	24	42	60
24	24	42	66
24	24	42	72
24	24	42	78
24	24	42	84
24	24	48	60
24	24	48	66
24	24	48	72
24	24	48	78
24	24	48	84
24	24	54	60
24	24	54	66
24	24	54	72
24	24	54	78
24	24	54	84

PRICING

METAL C-LEGS (C)

Foundation Laminate	Flintwood
1782	2563
1846	2658
1912	2751
1973	2837
2038	2933
1855	2671
1929	2776
2000	2878
2068	2975
2140	3081
1932	2790
2011	2903
2091	3016
2165	3122
2243	3238

METAL (M)

Foundation Laminate	Flintwood
1842	2624
1906	2717
1973	2813
2034	2899
2099	2994
1915	2732
1991	2837
2063	2940
2129	3037
2201	3142
1994	2849
2072	2966
2152	3077
2226	3184
2304	3298

If Mica Gables or Mica C-Leg are specified, add 57.

Pricing is continued on the following page.

Height-Adjustable Extended Corner Desk – Full and Half Gables (Continued)

DIMENSIONS – INCHES
FOR MM X BY 25.4

Da	Db	Wa	Wb
24	30	48	60
24	30	48	66
24	30	48	72
24	30	48	78
24	30	48	84
24	30	54	60
24	30	54	66
24	30	54	72
24	30	54	78
24	30	54	84
30	24	42	60
30	24	42	66
30	24	42	72
30	24	42	78
30	24	42	84
30	24	48	60
30	24	48	66
30	24	48	72
30	24	48	78
30	24	48	84
30	24	54	60
30	24	54	66
30	24	54	72
30	24	54	78
30	24	54	84
30	30	48	60
30	30	48	66
30	30	48	72
30	30	48	78
30	30	48	84
30	30	54	60
30	30	54	66
30	30	54	72
30	30	54	78
30	30	54	84

PRICING

METAL C-LEGS (C)

Foundation Laminate	Flintwood
1886	2717
1960	2821
2032	2930
2098	3023
2173	3127
1965	2836
2041	2949
2124	3066
2195	3171
2278	3285
1795	2583
1862	2675
1929	2773
1991	2863
2054	2956
1867	2692
1939	2799
2015	2903
2082	3001
2154	3106
1948	2808
2029	2929
2109	3041
2181	3149
2261	3262
1900	2741
1973	2844
2046	2950
2116	3048
2187	3153
1979	2860
2061	2974
2140	3088
2214	3196
2294	3313

METAL (M)

Foundation Laminate	Flintwood
1946	2778
2019	2881
2092	2988
2159	3085
2234	3188
2028	2898
2104	3009
2185	3124
2258	3230
2338	3346
1855	2644
1924	2737
1991	2835
2049	2921
2116	3016
1930	2751
2000	2861
2076	2966
2143	3063
2216	3167
2010	2871
2088	2986
2171	3103
2242	3210
2323	3323
1962	2802
2034	2907
2107	3010
2176	3109
2248	3216
2040	2918
2121	3036
2201	3150
2276	3257
2354	3373

If Mica Gables or Mica C-Leg are specified, add 57.