

The EDP Return (Flush End) is a semi-supported unit that may be used as a return or at the end of a run of units and can migrate between freestanding and panel applications.

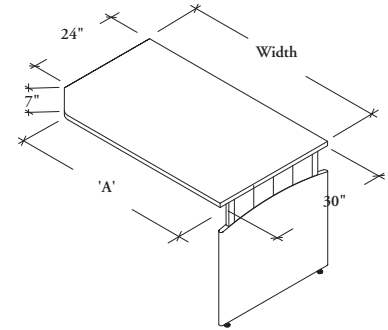
WHAT'S INCLUDED

1 EDP Worksurface (TWES), Flush End (TLFE_3), 1 FS Modesty Panel (TLMO), fasteners.

NOTES

The modesty panel and supports can only be specified in one finish. For other finish combinations, the desk can be built up by components.

TREFN EDP Return (Flush End)



PRODUCT OPTIONS

Depth A	Width	Depth B	Orientation	Worksurface Finish	Edge Trim Style	Edge Trim Finish	Modesty & Support Finish
24	30, 36, 42, 48, 54, 60	30	L Left R Right (Shown)	Foundation Laminate Wood Veneer Laminate Flintwood	2 Bullnose 3 Flintwood Bullnose 8 Flat 9 Flintwood Flat	Edge Trim Colors Flintwood	Foundation Mica

SAMPLE ORDER CODE

TREFN 24	60	30	L	FN	9	FN	E
----------	----	----	---	----	---	----	---

DIMENSIONS INCHES / MM

Da	W	Db
24 / 610	30 / 762	30 / 762
24 / 610	36 / 914	30 / 762
24 / 610	42 / 1067	30 / 762
24 / 610	48 / 1219	30 / 762
24 / 610	54 / 1372	30 / 762
24 / 610	60 / 1524	30 / 762

PRICING

FOUNDATION LAMINATE

Flat Trim	Bullnose Trim	Wood Flat Trim	Wood Bullnose Trim
1157	1189	1604	1725
1213	1246	1683	1812
1266	1299	1760	1897
1320	1356	1844	1990
1442	1479	1896	2063
1472	1511	1955	2136

FLINTWOOD

Wood Flat Trim	Wood Bullnose Trim
1688	1817
1773	1908
1856	1999
1941	2095
1998	2170
2058	2249

OTHER DIMENSIONS

'A'	Worksurface Tray Width	Table Rail Width
24 / 610	12 / 305	24 / 610
30 / 762	18 / 457	30 / 762
36 / 914	24 / 610	36 / 914
42 / 1067	39 / 991	42 / 1067
48 / 1219	45 / 1143	48 / 1219
54 / 1372	51 / 1295	54 / 1372

If Mica is specified, add 119