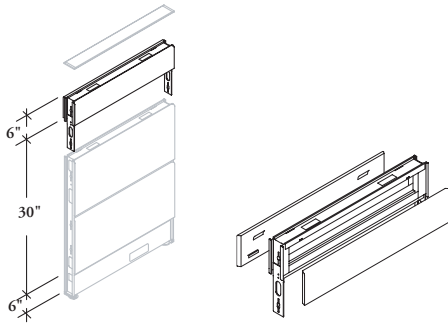


**TPX06**

**Add-On Module – 6" High**



52

One 6" Add-On Module may be added to the top of any panel but cannot support overhead storage.

**WHAT'S INCLUDED**

**Bare Frame:** (for build up pricing purposes only) 1 frame, hardware for straight connections.

**Complete Module:** 1 frame, two Acoustic Elements (THA), hardware for straight connections.

**WHAT'S EXCLUDED**

Top Trim is not included.

**NOTES**

Special bracket required for mounting to 36" high panel with existing wiring.

Only one 6" high add-on module can be installed on top of the panel.

The TPXD add-on module is required when mounting to a 42" high panel.

To order panels, a panel matrix must be completed to identify placement of specific elements.

**PRODUCT OPTIONS**

Width	Frame Finish	Element Finish
18, 24, 30, 36, 42, 48, 54, 60	Foundation Mica	Fabric

**SAMPLE ORDER CODE**

<b>TPX06 30</b>	<b>J</b>	<b>PANEL MATRIX</b>
-----------------	----------	---------------------

**DIMENSIONS  
INCHES / MM**

W
18 / 457
24 / 610
30 / 762
36 / 914
42 / 1067
48 / 1219
54 / 1372
60 / 1524

**PRICING**

Foundation Panel Frame (Bare)	Complete Panel Metal Top Trim								
	A/COM	Gr. 1	Gr. 2	Gr. 3	Gr. 4	Gr. 5	Gr. 6	Gr. 7	
110	185	191	199	222	237	251	272	292	
129	207	215	225	255	269	281	300	323	
139	226	247	258	274	294	312	337	358	
146	258	274	282	301	322	342	366	389	
160	291	298	313	344	362	379	410	436	
171	309	324	337	368	395	421	458	490	
176	329	349	371	394	431	466	504	537	
198	361	392	418	444	476	505	546	580	

Complete panel build-up pricing is an approximate value, please see specification software for exact pricing.

If Mica frame is specified, add 15