

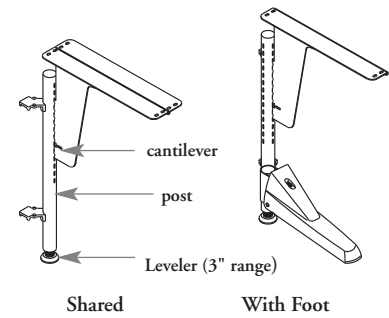
worksurface supports & accessories

The Off-Module Cantilever attaches anywhere along the panel horizontal rail to provide maximum lateral flexibility beneath worksurfaces.

WHAT'S INCLUDED

1 cantilever, angled bracket, anti-dislodgement clip, fasteners, 3" leveler, safety lock, foot (if specified).

TLOF Off-Module Cantilever



PRODUCT OPTIONS

Depth	Orientation	Cantilever & Post Finish	Foot Option	Foot Finish
12, 17, 23	L Left R Right S Shared	Foundation	1 Foot Required	Foundation Mica

SAMPLE ORDER CODE

TLOF 12	R	Q	1	Q
---------	---	---	---	---

DIMENSIONS INCHES / MM

D
12 / 305
17 / 432
23 / 584

PRICING

WITHOUT FOOT	WITH FOOT	
Foundation	Foundation	Mica
173	300	312
179	307	320
188	317	331