

The Wall Adapter connects a panel to a fixed wall or column.

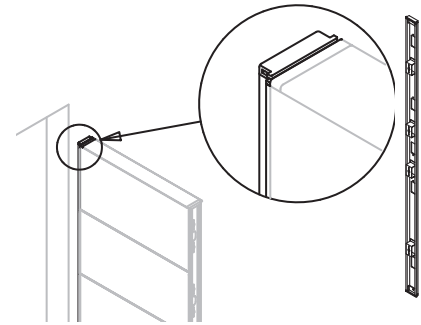
**WHAT'S INCLUDED**

1 Wall Adapter, Posi-Lock and spring-plate assemblies, 1 alignment disk.

**WHAT'S EXCLUDED**

Wall/Column mounting hardware.

## PWA Wall Adapter



**PRODUCT OPTIONS**

Height	Finish
36, 42, 51, 57, 60, 66, 72, 78, 81, 87, 96	Foundation Mica

105

**SAMPLE ORDER CODE**

PWA 81	P
--------	---

**DIMENSIONS  
INCHES / MM**

H
36 / 914
42 / 1067
51 / 1295
57 / 1448
60 / 1524
66 / 1676
72 / 1829
78 / 1981
81 / 2057
87 / 2210
96 / 2438

**PRICING**

Foundation	Mica
79	89
85	94
89	97
91	98
92	99
100	108
120	131
129	136
135	140
139	146
142	150