

lyft

SCREEN BASICS	57
INTEGRATING LYFT THIN PANELS WITH TRANSIT PANELS	58
PLANNING WITH LYFT THIN PANELS ON THEIR OWN	59
PLANNING WITH MONOLITHIC THIN PANELS	60
LYFT FINISHES	61

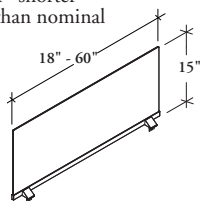
Lyft provides space division using a variety of Thin Panels and Floor Screens that can be connected to other Thin panels or Transit panels. Thin Panels provide an alternative aesthetic when a thinner profile is required.

- Thin Panels (HPS) are not handed
- Thin Panels do not require top trim
- End Trims (HET), Intermediate Trims (HIT) and connecting hardware must be specified separately
- The mid rail accommodates worksurface connection and support
- The upper rail accepts mounted storage and workstation signage on-module in corners (except Screenweave Floor Screen)
- Lyft Thin Panels support Lyft Shelves (HMS) and Transit Overhead and Standard Storage Overhead Cabinets provided the Lyft panel is attached to a Transit panel. Please see the Mounted Storage section for details
- All dimensions and dimension codes are nominal

Add-On Screen – Translucent (HPM)

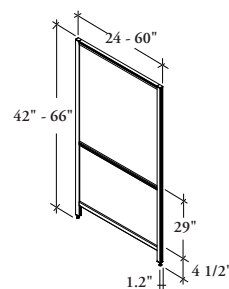
- The translucent Add-On Screen provides a casual alternative solution to increase Transit Panel height and visual privacy
- Can span more than one panel
- Cannot be mounted to wood top trims
- Mounting brackets must be clear of worksurface supports
- Mounting brackets accommodate a range of worksurface gaps from 0" to 2" with a secure attachment to insure proper spacing and alignment

- Actual screen width dimensions are 1" shorter than nominal



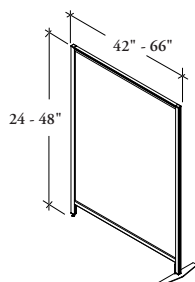
Thin Panel – Standard (HPS)

- Connects to Transit Panels both on- and off-module or to Lyft Thin Panels and Screens On-Module
- Provides privacy and worksurface support
- Comes complete with top and mid rails



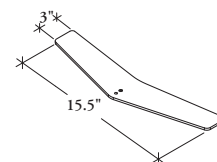
Thin Panel – Monolithic (HPM)

- Designed to provide space division when linked to another panel or as a freestanding screen
- Are not structural, therefore, do not support worksurfaces or storage
- Does not have a center rail



Thin Panel Stabilizer Foot (HPF)

- Provides stability to Lyft Thin Panels beyond an adjacent worksurface or Panel connection
- Can be used on all Lyft Thin Panels to provide stability for Lyft Thin Panel runs and freestanding Lyft Monolithic Thin Panel configurations



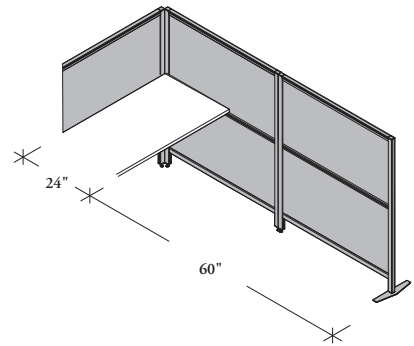
integrating lyft thin panels with transit panels

The primary application of Lyft Standard and Segmented Thin Panels with Transit uses Transit Panels as a spine wall with Lyft Thin Panels connected at 90° or 120° providing space division and worksurface support. The following rules apply when planning with Lyft Thin Panels and Transit.

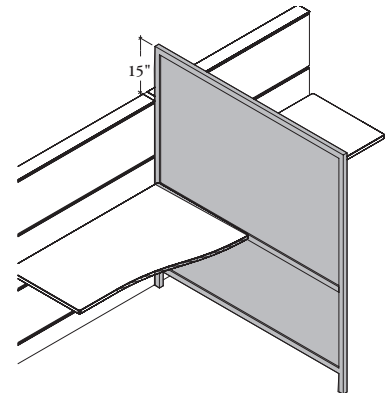
Thin Panels provide stability to Transit Panels with heights up to 66" and no more than one level of mounted storage

Panel Creep is the incremental dimensional increase created by panel connections when planning long runs. This must be taken into consideration when planning with fixed building constraints. For two, three, and four way on-module 90° Lyft Thin panel connections to Transit Panels, add 1.2" to the Transit Panel run

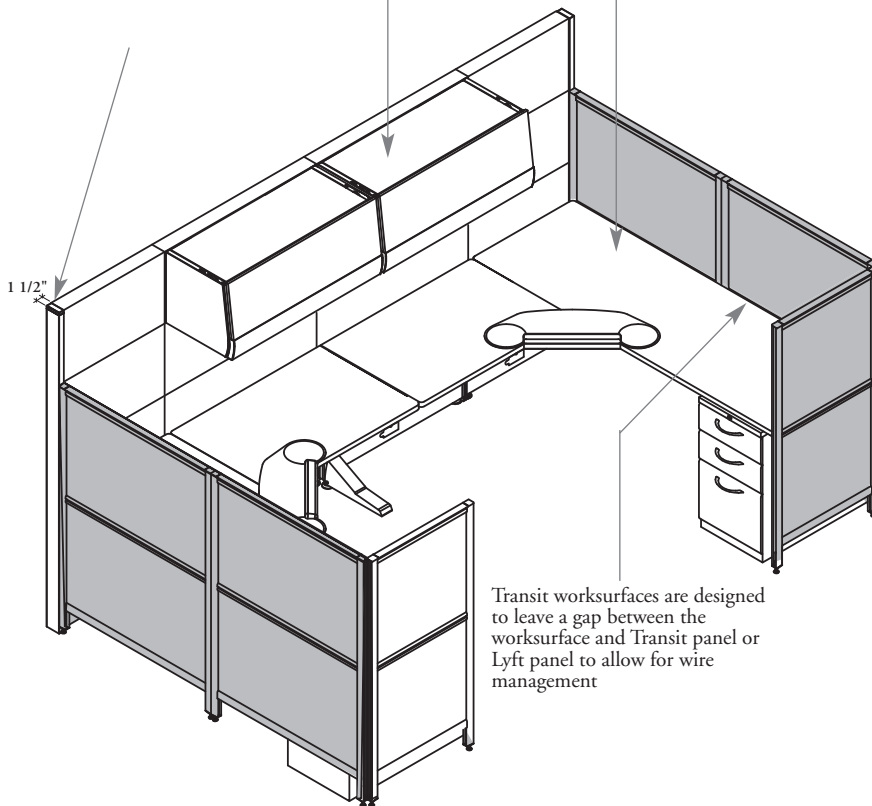
Where **Thin Panels** are being used as structural support to Transit Panels, worksurface connection is required



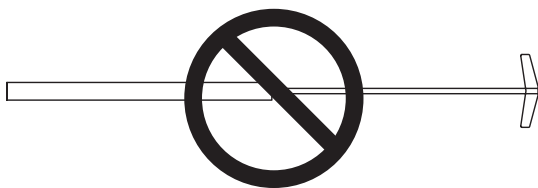
- A Stabilizer Foot (HPF) is required if the Thin Panel extends 30" to 60" from a previous stabilization point (adjacent panel or worksurface support)
- Beyond 60" a new stabilization point is required on all panel heights under 66"
- On 66" panels a stabilization point should be established every 48"



Where the Standard Thin Panel is higher than Transit Panels (on-module connections only) or where it is connected to another Lyft Thin Panel, the height difference cannot exceed 15"



Transit worksurfaces are designed to leave a gap between the worksurface and Transit panel or Lyft panel to allow for wire management



Lyft Thin Panels do not connect to Transit panels at 180°

planning lyft with thin panels on their own

Lyft Standard and Segmented Thin Panels can be used in combination with Transit worksurfaces to create complete workstations. The following rules apply when planning with Lyft Thin Panels on their own.

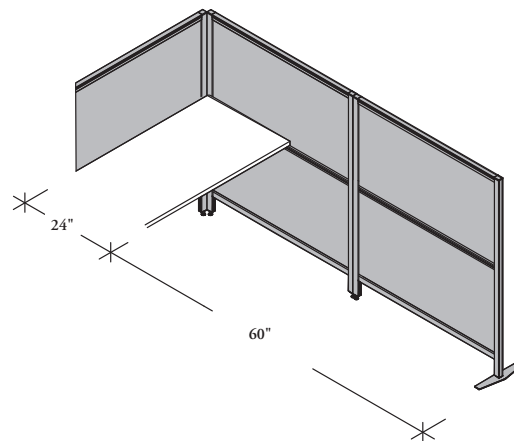
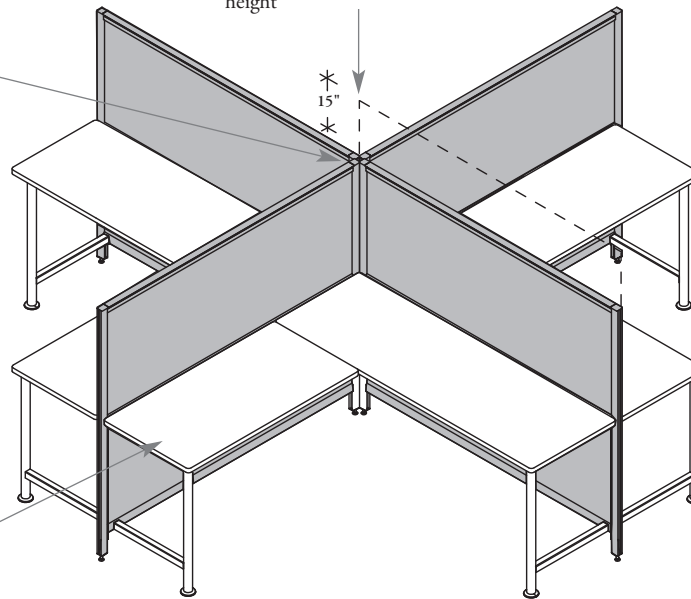
- Worksurfaces provide stability and structural support to Lyft Thin Panels
- Worksurfaces can be connected on-or off-module to Standard and Segmented Thin Panels
- Panel runs require a minimum 24" return Panel every 120"

Two dimensions impact panel creep when planning with Lyft Thin Panels on their own

- two, three or four-way 90° Lyft Thin Panel connections add 1.2" to a Lyft Thin Panel run
- to provide universal worksurface connection and support actual Lyft Thin Panel widths are 1/8" wider than nominal widths. To account for this difference, add 1/8" for each thin panel used in a panel run

Worksurfaces provide stability and structural support to Lyft Thin Panels. Worksurfaces can be connected on- or off-module to Lyft Standard Thin Panels and Segmented Thin Panels

Lyft Thin Panels can be connected to each other on-module at same heights or with a 15" change of height

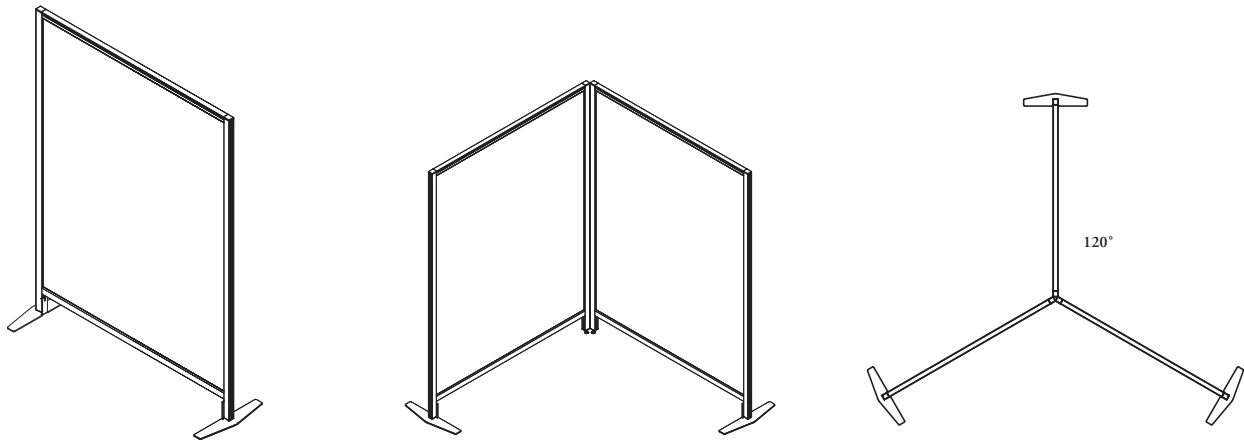


- A Lyft Thin Panel Stabilizer Foot (HPF) is required if the Thin Panel extends 30" to 60" from a previous stabilization point (adjacent Panel or worksurface support)
- Beyond 60" a new stabilization point is required
- On 66" Panels a stabilization point should be established every 48"

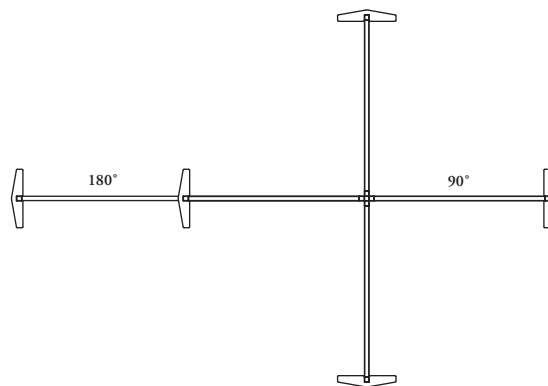
planning with monolithic thin panels

Monolithic Thin Panels (HPM) are non-structural and are designed for space division – the following rules apply when planning with Monolithic Thin Panels.

- ❗ Monolithic thin panels do not connect to worksurfaces
- Monolithic thin panels can also connect to other panels and screens with the same on and off-module panel connection guidelines as standard thin panels and segmented thin panels



Monolithic Thin Panels can stand alone with two stabilizer feet or link to other Lyft Monolithic Thin Panels at 90° or 120° using one stabilizer foot per panel



A thin panel can be extended to 180° when a stabilizer foot is added where two Monolithic Thin Panels connect. A 180° span is limited to two Monolithic Thin Panels – when both panels are 66" high, the span is limited to 72"

The following outlines the various finish options that are available on Lyft Thin Panels and Floor Screens.



- Top segment finish can be different than the bottom segment
- Segment finishes will be the same on both sides of the panel
- Translucent finishes include Frosted Acrylic and two Ribbed Translucent options
- All frames are available in Foundation and Mica colors
- Stabilizer Foot is available in Foundation and Mica colors and can be specified differently from the frame

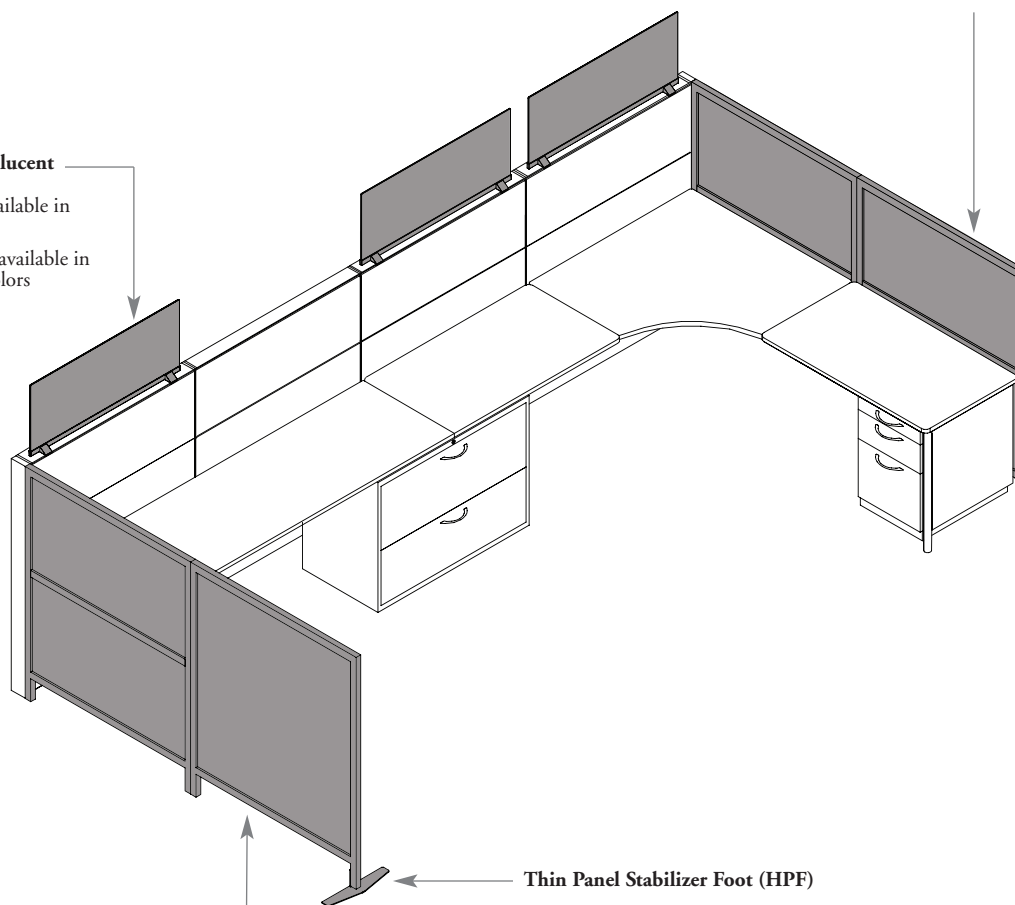
Thin Panel – Standard (HPS)

- Top Segment is available in Fabric, Translucent and Whiteboard
- Bottom Segment is available in Fabric and Translucent

61

Add-On Screen – Translucent (PPH)

- Top Trims styles are available in metal or wood
- Mounting hardware is available in Foundation or Mica colors



Thin Panel – Monolithic (HPM)
Translucent Panel finish in Ribbed Clear or Ribbed Textured

panel connections &
trims