

The Translucent Lateral Screen provides a complete or partial view of adjacent workstations depending on the finish specified.

**WHAT'S INCLUDED**

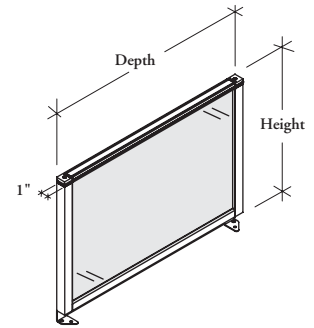
1 screen, 1 bracket, 1 linking piece and hardware.

**NOTES**

Must be used in combination with a Table Screen.

This screen is not recommended with all worksurface/table styles; refer to the Compatibility Chart in the Application Guide.

**CTLST  
Translucent Lateral Screen**



**PRODUCT OPTIONS**

| Height | Depth  | Frame Finish       | Element Finish               |
|--------|--------|--------------------|------------------------------|
| 15, 22 | 24, 30 | Foundation<br>Mica | <b>8</b> Frost (Translucent) |

**SAMPLE ORDER CODE**

|                 |           |          |          |
|-----------------|-----------|----------|----------|
| <b>CTLST 22</b> | <b>24</b> | <b>E</b> | <b>8</b> |
|-----------------|-----------|----------|----------|

**DIMENSIONS  
INCHES / MM**

| H        | D        |
|----------|----------|
| 15 / 381 | 24 / 610 |
| 15 / 381 | 30 / 762 |
| 22 / 559 | 24 / 610 |
| 22 / 559 | 30 / 762 |

**PRICING**

| FROST (8)       |
|-----------------|
| Foundation/Mica |
| 348             |
| 388             |
| 434             |
| 480             |