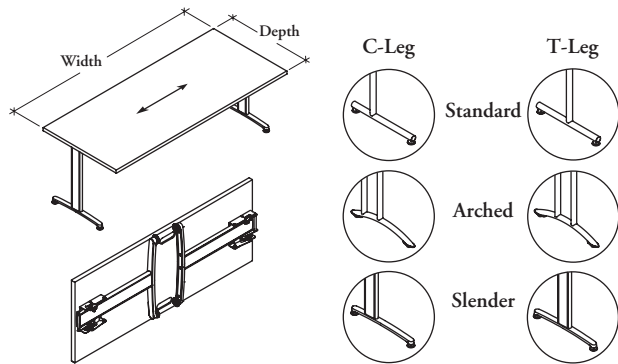


**CTLF**

**Lightweight Rectangular Folding Table**



The Lightweight Rectangular Folding Table can be used for rooms where fast reconfiguration is needed.

**WHAT'S INCLUDED**

1 lightweight rectangular worksurface, 2 folding legs (as specified), 2 integrated handles for easier handling, mounting hardware, reinforcing bar and Grommet (CTGM) if specified.

**NOTES**

Vertical Wire Management Covers are available for the Slender (S) and Arched (A) Leg styles. See the Accessories section.

Grommet finishes are applicable to B, C, D and E grommet styles only.

**PRODUCT OPTIONS**

Leg Option	Leg Style	Depth	Grommet Style/ Location	Grommet Finish (If applicable)	Casters/ Levelers	Worksurface Finish	Corner Detail	Leg Finish
C C-Leg	D Standard	18, 24, 30	A No Grommet/	Source Laminate	0 Two Levelers	Foundation Laminate	S Standard	Foundation
T T-Leg	A Arched	Width 60, 66, 72, 78, 84	B Left Grommet	Foundation	1 One Caster/ One Leveler	Edge Trim Style 6 Straight Trim	Edge Trim Finish Edge Trim Colors	Mica
	S Slender		C Centered Grommet	Mica	2 Two Casters			
			D Right Grommet					
			E Left & Right Grommet					

**SAMPLE ORDER CODE**

CTLF	C	D	30	72	C	P	0	2D	6	S	4D	P
------	---	---	----	----	---	---	---	----	---	---	----	---

**DIMENSIONS INCHES / MM**

		FOUNDATION LAMINATE					
		TWO LEVELERS (0)		ONE CASTER/ONE LEVELER (1)		TWO CASTERS (2)	
		Foundation	Mica	Foundation	Mica	Foundation	Mica
D	W	STANDARD LEGS (D)					
18 / 457	60 / 1524	1586	1600	n/a	n/a	n/a	n/a
18 / 457	66 / 1676	1617	1631	n/a	n/a	n/a	n/a
18 / 457	72 / 1829	1648	1662	n/a	n/a	n/a	n/a
24 / 610	60 / 1524	1654	1668	n/a	n/a	1762	1776
24 / 610	66 / 1676	1692	1706	n/a	n/a	1800	1814
24 / 610	72 / 1829	1732	1746	n/a	n/a	1840	1854
24 / 610	78 / 1981	1768	1782	n/a	n/a	1876	1890
24 / 610	84 / 2134	1808	1822	n/a	n/a	1916	1930

If grommet is specified (B, C, D, E), add 63.

Pricing is continued on the following page.

## CTLF

### Lightweight Rectangular Folding Table (Continued)

**DIMENSIONS  
INCHES / MM**

		FOUNDATION LAMINATE					
		TWO LEVELERS (0)		ONE CASTER/ONE LEVELER (1)		TWO CASTERS (2)	
		Foundation	Mica	Foundation	Mica	Foundation	Mica
<b>STANDARD LEGS (D) (CONTINUED)</b>							
D	W						
30 / 762	60 / 1524	1751	1765	n/a	n/a	1859	1873
30 / 762	66 / 1676	1798	1812	n/a	n/a	1906	1920
30 / 762	72 / 1829	1846	1860	n/a	n/a	1954	1968
30 / 762	78 / 1981	2023	2037	n/a	n/a	2131	2145
30 / 762	84 / 2134	2079	2093	n/a	n/a	2187	2201
<b>ARCHED LEGS (A)</b>							
18 / 457	60 / 1524	1616	1630	n/a	n/a	n/a	n/a
18 / 457	66 / 1676	1648	1662	n/a	n/a	n/a	n/a
18 / 457	72 / 1829	1679	1693	n/a	n/a	n/a	n/a
24 / 610	60 / 1524	1685	1699	1735	1749	1793	1807
24 / 610	66 / 1676	1724	1738	1774	1788	1832	1846
24 / 610	72 / 1829	1761	1775	1811	1825	1869	1883
24 / 610	78 / 1981	1800	1814	1850	1864	1908	1922
24 / 610	84 / 2134	1840	1854	1890	1904	1948	1962
30 / 762	60 / 1524	1781	1795	1831	1845	1889	1903
30 / 762	66 / 1676	1830	1844	1880	1894	1938	1952
30 / 762	72 / 1829	1878	1892	1928	1942	1986	2000
30 / 762	78 / 1981	2052	2066	2102	2116	2160	2174
30 / 762	84 / 2134	2112	2126	2162	2176	2220	2234
<b>SLENDER LEGS (S)</b>							
18 / 457	60 / 1524	1749	1763	n/a	n/a	n/a	n/a
18 / 457	66 / 1676	1781	1795	n/a	n/a	n/a	n/a
18 / 457	72 / 1829	1812	1826	n/a	n/a	n/a	n/a
24 / 610	60 / 1524	1819	1833	n/a	n/a	1927	1941
24 / 610	66 / 1676	1859	1873	n/a	n/a	1967	1981
24 / 610	72 / 1829	1896	1910	n/a	n/a	2004	2018
24 / 610	78 / 1981	1933	1947	n/a	n/a	2041	2055
24 / 610	84 / 2134	1973	1987	n/a	n/a	2081	2095
30 / 762	60 / 1524	1915	1929	n/a	n/a	2023	2037
30 / 762	66 / 1676	1962	1976	n/a	n/a	2070	2084
30 / 762	72 / 1829	2010	2024	n/a	n/a	2118	2132
30 / 762	78 / 1981	2188	2202	n/a	n/a	2296	2310
30 / 762	84 / 2134	2243	2257	n/a	n/a	2351	2365

If grommet is specified (B, C, D, E), add 63.