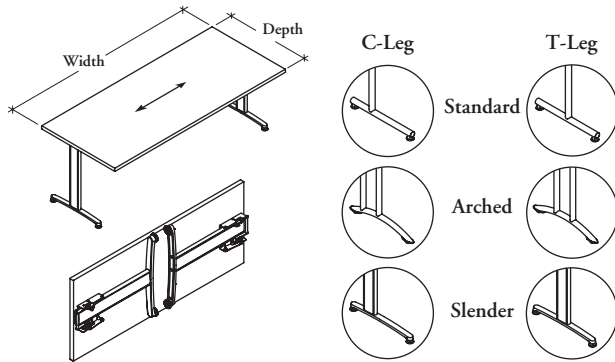


Xpress

## CTFL

### Rectangular Folding Table



The Rectangular Folding Table can be used for rooms where fast reconfiguration is needed.

#### WHAT'S INCLUDED

1 worksurface, 2 folding legs (as specified), mounting hardware, reinforcing bar and Grommet (CTGM) if specified.

#### NOTES

The 18" depth is only available with T-Legs.

Vertical Wire Management Covers are available for the Slender (S) and Arched (A) Leg styles. See the Accessories section.

Grommet finishes are applicable to B, C, D and E grommet styles only.

#### PRODUCT OPTIONS

Leg Option	Leg Style	Depth	Grommet Style/Location	Grommet Finish (If applicable)	Casters/Levelers	Worksurface Finish	Corner Detail (If applicable)	Leg Finish
C C-Leg	D Standard	18, 24, 30	A No Grommet	Source Laminate Foundation Mica	0 Two Levelers 1 One Caster/ One Leveler (For 24" or 30" deep Arched legs) 2 Two Casters	Foundation Laminate Flintwood	S Standard R Radius (Straight Trim only)	Foundation Mica
T T-Leg	A Arched S Slender							
		Width	B Left Grommet C Centered Grommet D Right Grommet E Left & Right Grommet			Edge Trim Style	Edge Trim Finish (If applicable)	
		60, 66, 72, 78, 84				6 Straight Trim 7 Flintwood Straight Trim	Edge Trim Colors	

#### SAMPLE ORDER CODE

CTFL	C	D	30	72	C	P	0	2D	6	R	4D	P
------	---	---	----	----	---	---	---	----	---	---	----	---

#### DIMENSIONS INCHES / MM

D	W
18 / 457	60 / 1524
18 / 457	66 / 1676
18 / 457	72 / 1829
24 / 610	60 / 1524
24 / 610	66 / 1676
24 / 610	72 / 1829
24 / 610	78 / 1981
24 / 610	84 / 2134

#### PRICING

##### FOUNDATION LAMINATE

##### FLINTWOOD

Straight Trim	Flintwood Straight Trim
<b>STANDARD LEGS (D)</b>	
862	1302
903	1392
942	1478
942	1479
992	1583
1038	1684
1083	1783
1130	1879

If grommet is specified (B, C, D, E), add 63.

If one caster/one leveler (1) option is specified, add 50.

If two casters (2) option is specified, add 108.

If Mica leg is specified, add 14.

Pricing is continued on the following page.

## CTFL

### Rectangular Folding Table (Continued)

#### DIMENSIONS INCHES / MM

D	W
30 / 762	60 / 1524
30 / 762	66 / 1676
30 / 762	72 / 1829
30 / 762	78 / 1981
30 / 762	84 / 2134
18 / 457	60 / 1524
18 / 457	66 / 1676
18 / 457	72 / 1829
24 / 610	60 / 1524
24 / 610	66 / 1676
24 / 610	72 / 1829
24 / 610	78 / 1981
24 / 610	84 / 2134
30 / 762	60 / 1524
30 / 762	66 / 1676
30 / 762	72 / 1829
30 / 762	78 / 1981
30 / 762	84 / 2134
18 / 457	60 / 1524
18 / 457	66 / 1676
18 / 457	72 / 1829
24 / 610	60 / 1524
24 / 610	66 / 1676
24 / 610	72 / 1829
24 / 610	78 / 1981
24 / 610	84 / 2134
30 / 762	60 / 1524
30 / 762	66 / 1676
30 / 762	72 / 1829
30 / 762	78 / 1981
30 / 762	84 / 2134

#### PRICING

##### FOUNDATION LAMINATE

##### FLINTWOOD

##### STANDARD LEGS (D)

Straight Trim	Flintwood Straight Trim
1062	1730
1117	1858
1175	1977
1234	2107
1293	2234

##### ARCHED LEGS (A)

Straight Trim	Flintwood Straight Trim
888	1328
928	1416
970	1503
970	1505
1015	1606
1064	1708
1110	1806
1154	1904
1086	1757
1144	1881
1202	2005
1260	2132
1321	2259

##### SLENDER LEGS (S)

Straight Trim	Flintwood Straight Trim
999	1439
1039	1528
1079	1616
1079	1617
1129	1719
1175	1820
1221	1920
1266	2016
1197	1867
1255	1994
1312	2114
1370	2243
1431	2371

If grommet is specified (B, C, D, E), add 63.

If one caster/one leveler (1) option is specified, add 50.

If two casters (2) option is specified, add 108.

If Mica leg is specified, add 14.