

The Translucent Table Screen provides a complete or partial view of adjacent workstations depending on the finish specified.

WHAT'S INCLUDED

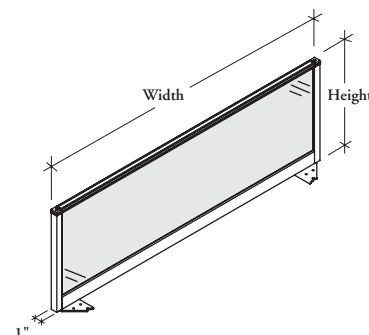
1 screen, 2 brackets, 1 linking piece and hardware.

NOTES

Specify Table Screen width to match the width of the worksurface to which it is being applied. Actual dimension will differ depending on the support structure used.

This screen is not recommended with all worksurface/table styles; refer to the Compatibility Chart on page 87.

**CTDST
Translucent Table Screen**



PRODUCT OPTIONS

Configuration	Height	Width	Frame Finish	Element Finish
H Dedicated to Height-Adjustable Table (CTHT)	15, 22	36, 42, 48, 54, 60, 66, 72, 78, 84	Foundation Mica	8 Frost (Translucent)
P Worksurface with Post Legs				
S Worksurface with C-Legs or Intermediate Legs				

SAMPLE ORDER CODE

CTDST H	22	72	E	8
----------------	-----------	-----------	----------	----------

**DIMENSIONS
INCHES / MM**

H	W
15 / 381	36 / 914
15 / 381	42 / 1067
15 / 381	48 / 1219
15 / 381	54 / 1372
15 / 381	60 / 1524
15 / 381	66 / 1676
15 / 381	72 / 1829
15 / 381	78 / 1981
15 / 381	84 / 2134
22 / 559	36 / 914
22 / 559	42 / 1067
22 / 559	48 / 1219
22 / 559	54 / 1372
22 / 559	60 / 1524
22 / 559	66 / 1676
22 / 559	72 / 1829
22 / 559	78 / 1981
22 / 559	84 / 2134

PRICING

FROST (8)

Foundation/Mica	
426	
472	
509	
541	
582	
625	
660	
704	
743	
528	
582	
631	
673	
723	
775	
822	
870	
917	