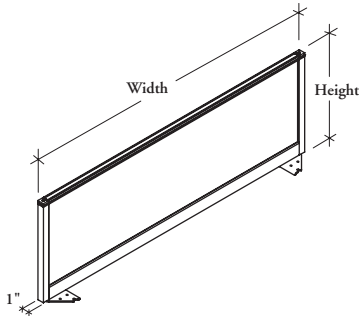


Xpress

CTDSF Fabric Table Screen



The Fabric Table Screen provides visual privacy.

WHAT'S INCLUDED

1 screen, 2 brackets, 1 linking piece and hardware.

NOTES

Specify Table Screen width to match the width of the worksurface to which it is being applied. Actual dimension will differ depending on the support structure used.

Table Screen is not tackable.

This screen is not recommended with all worksurface/table styles; refer to the Compatibility Chart in the Application Guide.

PRODUCT OPTIONS

Configuration	Height	Width	Frame Finish	Element Finish
H Dedicated to Height-Adjustable Table (CTHT)	15, 22	36, 42, 48, 54, 60, 66, 72, 78, 84	Foundation Mica	Fabric
P Worksurface with Post Legs				
S Worksurface with C-Legs or Intermediate Legs				

SAMPLE ORDER CODE

CTDSF H	15	48	E	C501
----------------	-----------	-----------	----------	-------------

DIMENSIONS INCHES / MM

H	W
15 / 381	36 / 914
15 / 381	42 / 1067
15 / 381	48 / 1219
15 / 381	54 / 1372
15 / 381	60 / 1524
15 / 381	66 / 1676
15 / 381	72 / 1829
15 / 381	78 / 1981
15 / 381	84 / 2134
22 / 559	36 / 914
22 / 559	42 / 1067
22 / 559	48 / 1219
22 / 559	54 / 1372
22 / 559	60 / 1524
22 / 559	66 / 1676
22 / 559	72 / 1829
22 / 559	78 / 1981
22 / 559	84 / 2134

PRICING

Fabric Grade A/COM	Gr. 1	Gr. 2	Gr. 3	Gr. 4	Gr. 5	Gr. 6	Gr. 7
338	347	354	365	382	400	414	427
373	383	394	402	422	440	454	466
402	414	425	435	457	477	493	507
425	435	445	457	477	498	514	531
456	467	479	493	517	541	560	579
494	506	517	531	556	580	598	616
521	534	548	561	590	617	637	657
550	563	578	592	620	648	668	688
578	592	608	621	650	679	701	723
408	419	429	441	463	486	503	520
449	461	474	486	510	535	554	572
481	495	507	519	541	565	584	601
514	529	542	556	582	610	630	650
550	563	578	592	620	648	668	688
590	607	620	636	666	695	717	740
628	645	658	677	710	743	768	792
664	680	697	715	750	786	813	841
699	716	736	753	789	826	853	880