

# CLUBtalk

CLUBTALK TYPICALS . . . . .	104
WORKSURFACE MONITOR MOUNT COMPONENT OVERVIEW . .	106
WORKSURFACE MONITOR MOUNT BASICS . . . . .	107
PLANNING WITH WORKSURFACE MONITOR MOUNT . . . . .	108
CLUBTALK FINISHES . . . . .	111

# CLUBtalk typicals



## meeting area 01

The Worksurface Monitor Mount with no Shelf mounts to Interpret tables to provide a wireless connection.

- Task height
- Worksurface Monitor Mount

QUANTITY	COMPONENTS	DESCRIPTION	LIST PRICE	EXTENDED PRICE
1	CUWM	Worksurface Monitor Mount, 42" Wide x 60" High	1457	1457
1	WWTMT	Interpret Meeting Table, 48" Wide x 84" Long	3420	3420
			<b>TOTAL</b>	<b>4877</b>

Worksurface Monitor Mount and Table, finishes: Flintwood, Painted Platinum Trim.

\* Just-Us Chair is not included in price.

# CLUBtalk typicals (continued)



## meeting area 02

- Task height
- Worksurface Monitor Mount with Tek Shelf

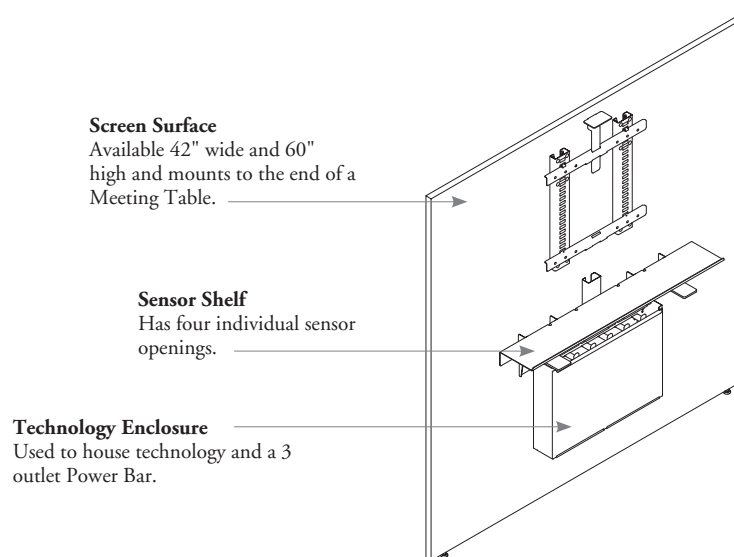
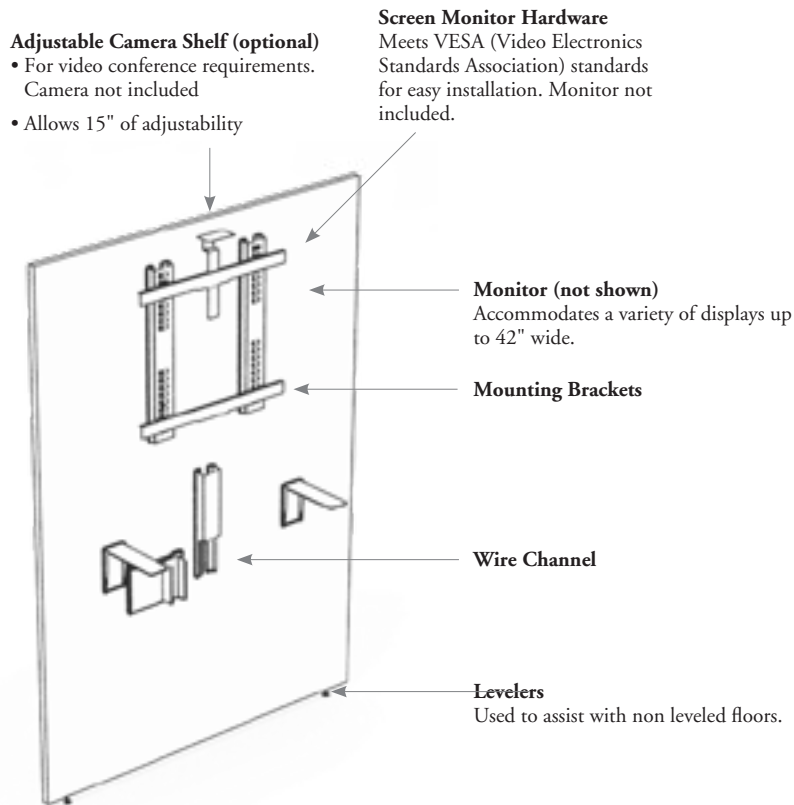
QUANTITY	COMPONENTS	DESCRIPTION	LIST PRICE	EXTENDED PRICE
1	CUWM	Worksurface Monitor Mount with Tek Shelf, 42" Wide x 60" High	1866	1866
1	ATMR	Audience Table, 42" Wide x 72" Long	3129	3129
<b>TOTAL</b>				<b>4995</b>

Worksurface Monitor Mount and Table, finishes: Flintwood, Painted Platinum Trim.

\* Variable chair is not included in the price.

# worksurface monitor mount component overview

The following outlines components and features of the Worksurface Monitor Mount.



---

## worksurface monitor mount basics

The Worksurface Monitor Mount mounts to the end of a meeting table and can be used in private meeting or open spaces. It is available with or without a Sensor Shelf.

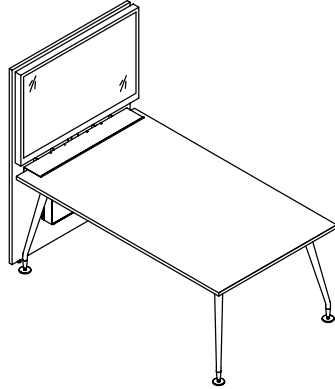
**Worksurface Monitor Mount (CUWM)**

- Mounts to the end of a meeting table
- Provides two options:
  - Without Tek Shelf
  - With Tek Shelf
- Available only in 42" wide x 60" high
- Can accommodate a District Standing Storage Fascia (tackable fabric or whiteboard) on back side

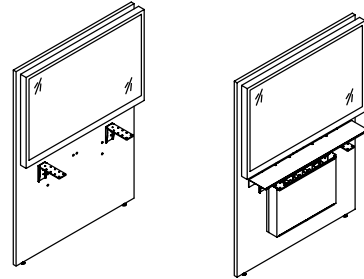
## planning with worksurface monitor mount

The following should be considered when planning with Worksurface Monitor Mounts.

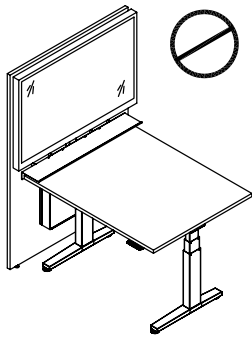
### worksurface monitor mount (CUWM)



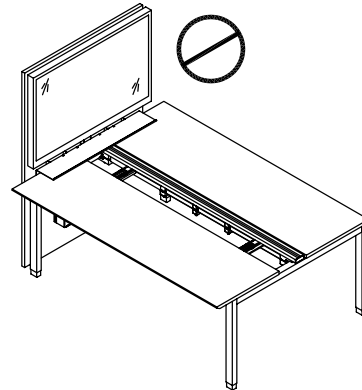
- The Monitor Mount requires a minimum of 27" width between the table legs to avoid interference with the screen brackets
- It is **not** suitable for 24" wide worksurfaces
- Can only be used on a 29" high table



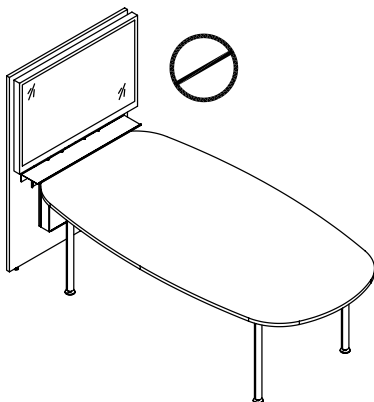
Maximum monitor size is 42" wide



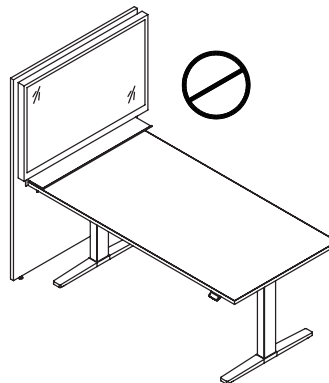
Must be mounted to fixed table. Cannot mount to any height adjustable surfaces or a table with casters.



Cannot be mounted on a sliding worksurface.



Cannot be mounted on a oval table

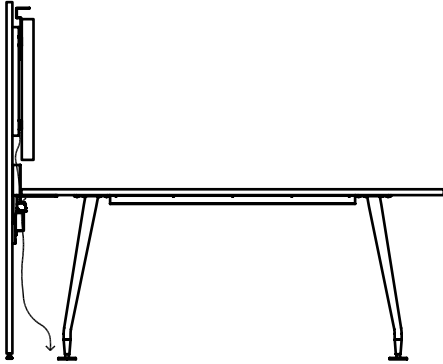


- **Cannot** be used as a table supporting structural member only as an add on piece
- **Cannot** be used where there is a spreader between table legs (example District Legs)

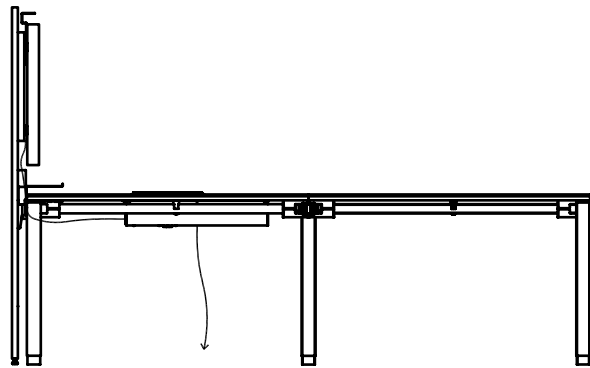
# planning with worksurface monitor mount (continued)

## power routing

Power routing can be done by three options:



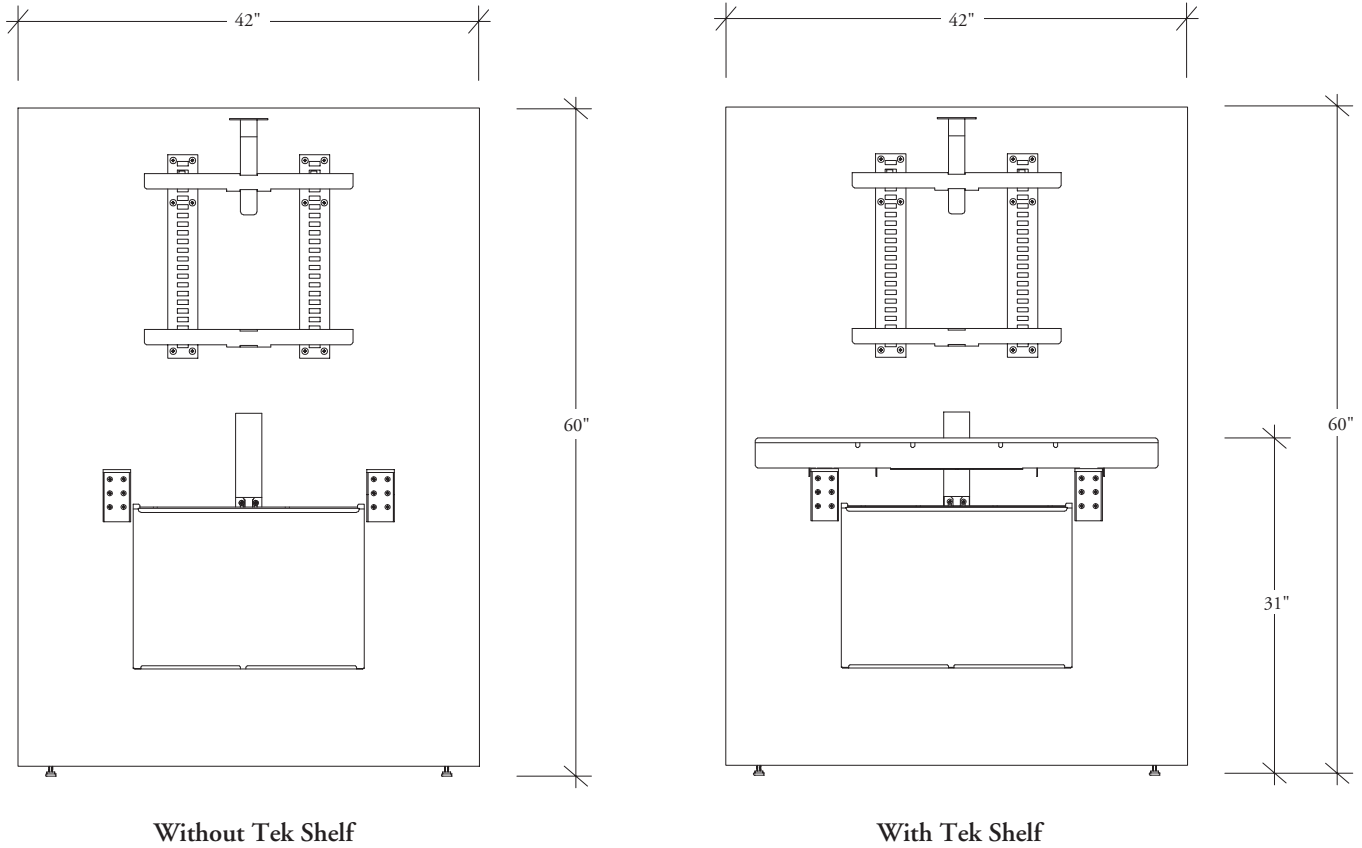
Power is routed down the front of the screen directly to the floor



Power is routed down the front of the screen, along the bottom of the Interpret table, routes through CLUBtalk

# planning with worksurface monitor mount (continued)

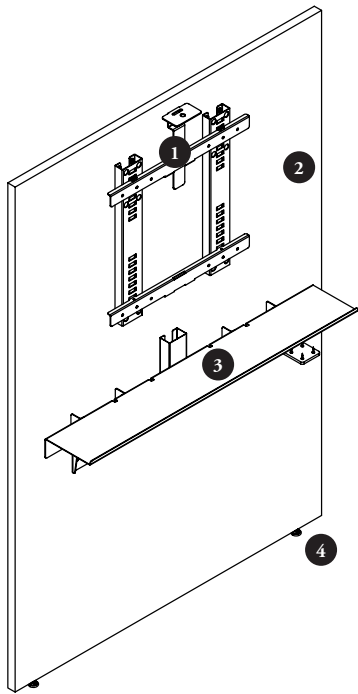
## dimensions





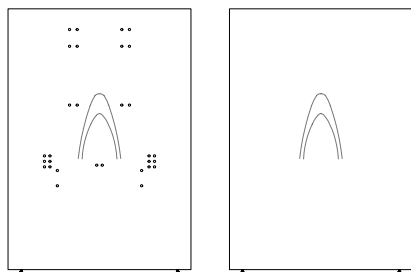
# CLUBtalk finishes

The following outlines the finish options available for Worksurface Monitor Mount and 13" Modular Table.



- 1 Mounting Brackets: Platinum only
- 2 Screen: Source Laminate, Seamless Color, Flintwood, Natural Veneer
- 3 Tek Shelf: Foundation, Mica
- 4 Levelers: Foundation, Mica

## worksurface monitor mount



Front

Back