

ora

features

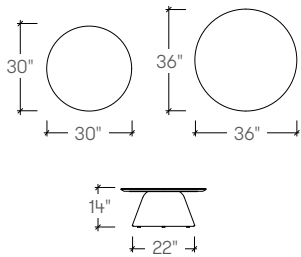
Ora, Italian for hour, offers a comfortable gathering place with refined finish options that encourages you to connect with co-workers; build social connection; and linger a little longer. Designed for Studio TK by Jeff Miller, Ora is ideally suited for collaboration; break out and incubator spaces; departmental gathering points; executive office multi-purpose zones; and casual dining environments.

Designed with choice in mind, Ora features an hourglass shaped drum base that has the option of a durable polymer or fully upholstered finish that coordinates with seating and absorbs noise. Individual upper and lower base sections can be mixed and matched between polymers and textiles for an endless variety of applications. Table tops are available in multiple heights and round, square or rectangular shape with soft corners and high pressure laminate or veneer surfaces. Optional power adds functionality and cleanly routes power cords down the inside of the pedestal to exit at the base.

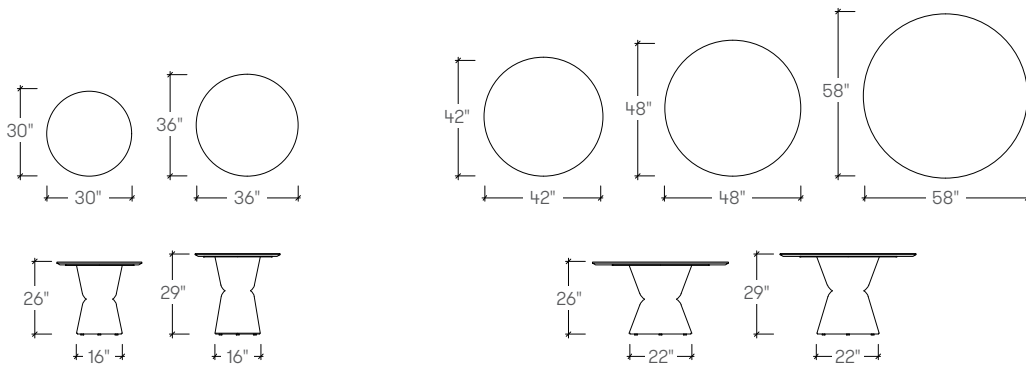


dimensions

Ora tables are sold as a base and a top separately, both must be ordered. The dimensions shown are representative of the final product with the base and top combined.

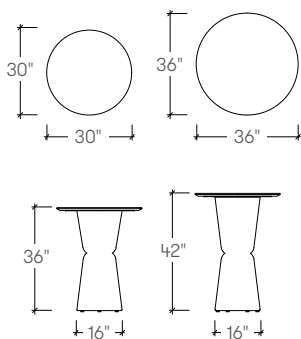


Ora Round Occasional Table
(TKQ2B base / TKQ1R top)



Ora Round Work Table
(TKQ2C or TKQ2E base / TKQ1R top)

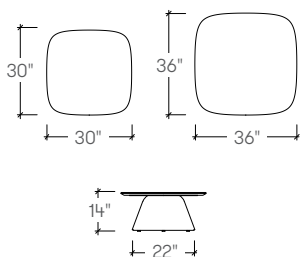
Ora Round Work Table
(TKQ2D or TKQ2F base / TKQ1R top)



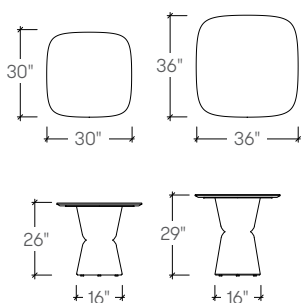
Ora Round Café Table
(TKQ2G or TKQ2H base / TKQ1R top)

dimensions

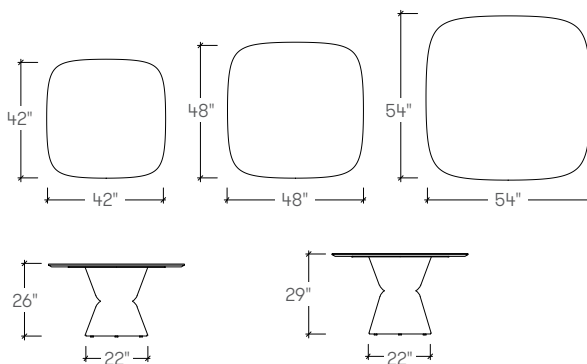
Ora tables are sold as a base and a top separately, both must be ordered. The dimensions shown are representative of the final product with the base and top combined.



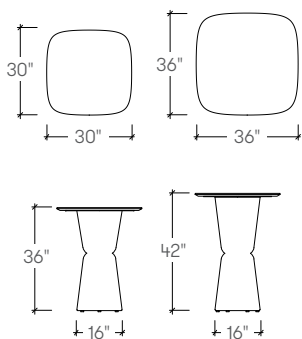
Ora Square Occasional Table
(TKQ2B base / TKQ1S top)



Ora Square Work Table
(TKQ2C or TKQ2E base / TKQ1S top)



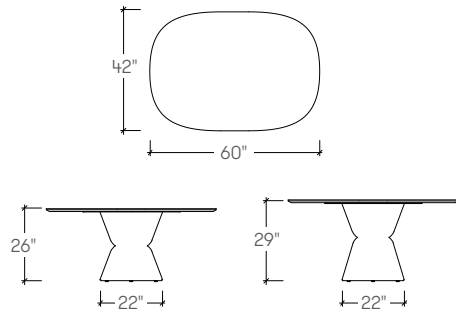
Ora Square Work Table
(TKQ2D or TKQ2F base / TKQ1S top)



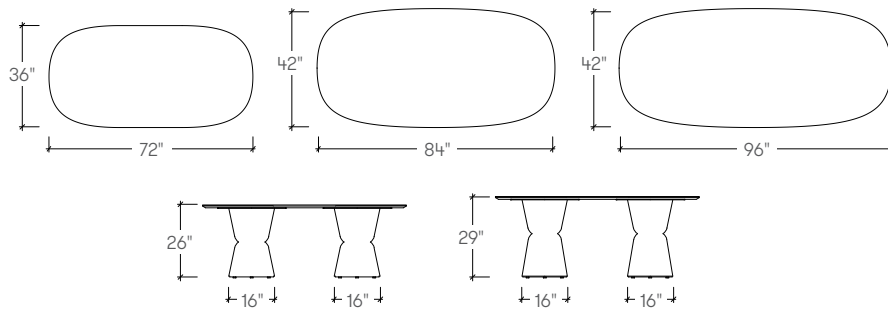
Ora Square Café Table
(TKQ2G or TKQ2H base / TKQ1S top)

dimensions

Ora tables are sold as a base and a top separately, both must be ordered. The dimensions shown are representative of the final product with the base and top combined.



Ora Rectangle Work Table
(TKQ2D or TKQ2F base / TKQ1T top)

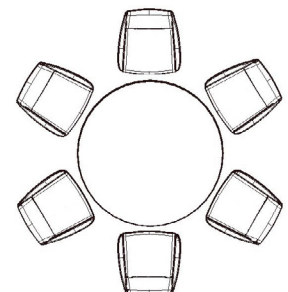
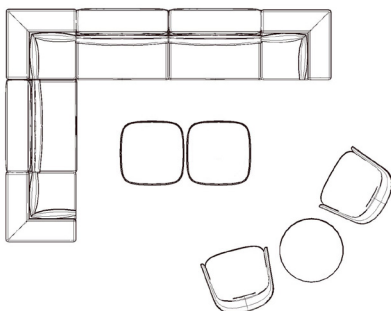
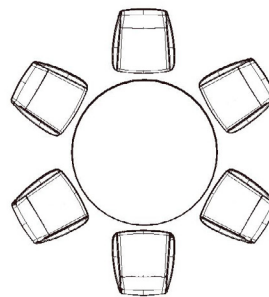
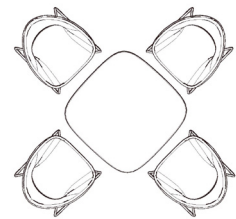
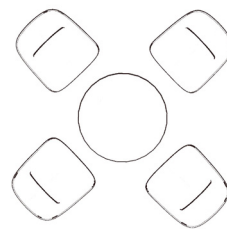
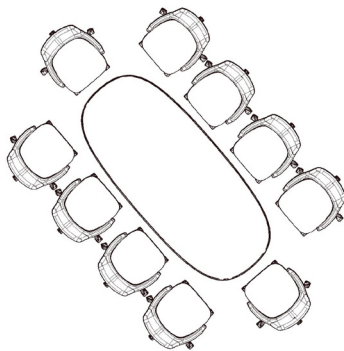
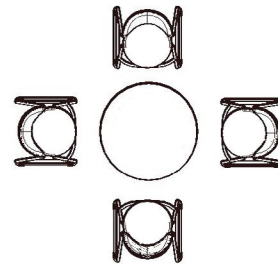
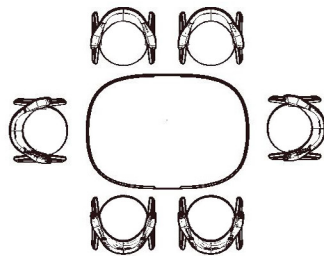
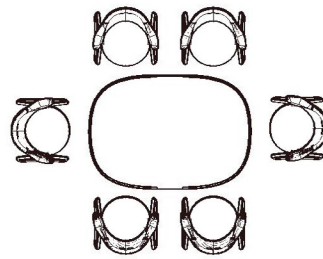
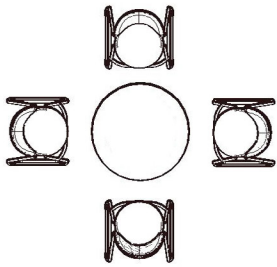


Ora Rectangle Work Table
(TKQ2C or TKQ2E base x 2 / TKQ1T top)

ora

planning

Ora is an ideal solution for collaboration and socialization in lounge spaces, café and dining, break-out and incubator spaces; meeting rooms; office multi-purpose zones; and the in-between areas. Tables are available in an occasional, work and café height with multiple sizes in a round, square or rectangular work surface.

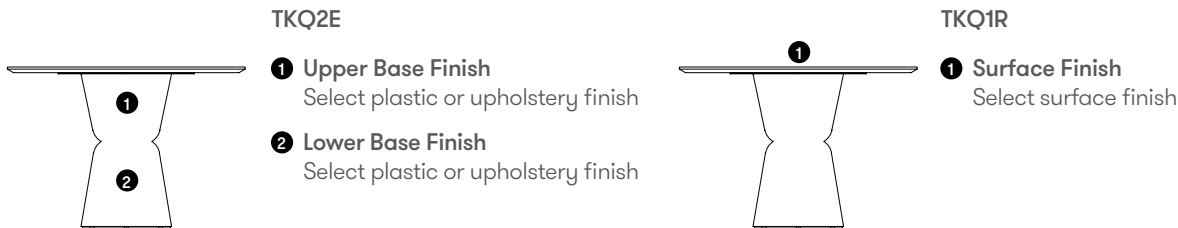


specifying ora finishes

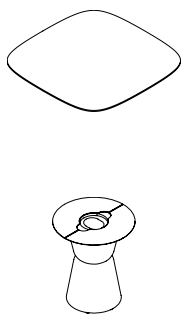
Ora tables are available in a variety of finish and material combinations. Base and top components are sold separately, bases are available in a plastic or upholstered finish and work surfaces are available in a high-pressure laminate or wood veneer.

Note:

Studio TK does not recommend using bold patterned or striped textiles on Ora table bases. Due to the shape, these textiles will become askew during the fabrication process, which will cause distortions to the pattern or stripes; deviations to the pattern or stripe across the entire piece; and pattern or stripe misalignments from upper and lower bases. For these reasons, Studio TK will not accept warranty claims for pattern matching distortions, deviations or misalignments.



specification example



Ora table bases and tops are sold separately and both must be ordered. Reference the base to top compatibility chart prior to ordering. The following demonstrates the order that must be selected and will vary dependent on features.

<p>Steps involved in specifying Ora tops</p> <ul style="list-style-type: none"> Select the top style Select the top size Select the power cut out Select the top finish 	<p>Example:</p> <p>TKQ1S TKQ1S42 TKQ1S42D1 TKQ1S42D1RU</p>
<p>Steps involved in specifying Ora bases</p> <ul style="list-style-type: none"> Select the base style Select the table height Select the upper base finish Select the lower base finish 	<p>Example:</p> <p>TKQ2F TKQ2F29W TKQ2F29WE523 TKQ2F29WE523SBA</p>

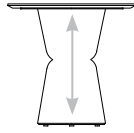
COM/COL material requirement

Yardage is based on a non-patterned fabric. Additional yardage may be required for pattern repeats and the matching required. Leather yield may be affected by the quality of the COL. However, variance in the size of the hides will not affect the yield.





SINGLE UPHOLSTERY		COM [yards]	COL [sq. ft.]
Ora Base, Wide for Occasional Table 14"h	Bottom Section	2	36
Ora Base, Thin for Work Table 26"h	Top Section	1 1/4	23
	Bottom Section	1 1/4	23
Ora Base, Wide for Work Table 26"h	Top Section	2	36
	Bottom Section	2	36
Ora Base, Thin for Work Table 29"h	Top Section	1 1/4	23
	Bottom Section	1 1/4	23
Ora Base, Wide for Work Table 29"h	Top Section	2	36
	Bottom Section	2	36
Ora Base, Thin for Café Table 36"h	Top Section	1 1/4	23
	Bottom Section	1 1/4	23
Ora Base, Thin for Café Table 42"h	Top Section	1 1/4	23
	Bottom Section	1 1/4	23

fabric direction

Fabric is applied in an Off The Bolt direction on upholstered Ora table bases. For example, stripe pattern fabric that is Off The Bolt will run vertical on the table base.



specifying chart for ora bases and tops

	Base Type		Compatible Top Sizes	
	 Base	 Round	 Square	 Rectangular
Single Base				
Ora Occasional Table, 14"h	22" dia. footprint TKQ2B	30" dia. TKQ1R30 36" dia. TKQ1R36	30" x 30" TKQ1S30 36" x 36" TKQ1S36	
Ora Work Table, 26"h	16" dia. footprint TKQ2C	30" dia. TKQ1R30 36" dia. TKQ1R36	30" x 30" TKQ1S30	
	22" dia. footprint TKQ2D	42" dia. TKQ1R42 48" dia. TKQ1R48 58" dia. TKQ1R58	42" x 42" TKQ1S42 48" x 48" TKQ1S48 54" x 54" TKQ1S54	60" x 42" TKQ1T4260
Ora Work Table, 29"h	16" dia. footprint TKQ2E	30" dia. TKQ1R30 36" dia. TKQ1R36	30" x 30" TKQ1S30 36" x 36" TKQ1S36	
	22" dia. footprint TKQ2F	42" dia. TKQ1R42 48" dia. TKQ1R48 58" dia. TKQ1R58	42" x 42" TKQ1S42 48" x 48" TKQ1S48 54" x 54" TKQ1S54	60" x 42" TKQ1T4260
Ora Café Table, 36"h	16" dia. footprint TKQ2G	30" dia. TKQ1R30 36" dia. TKQ1R36	30" x 30" TKQ1S30 36" x 36" TKQ1S36	
Ora Café Table, 42"h	16" dia. footprint TKQ2H	30" dia. TKQ1R30 36" dia. TKQ1R36	30" x 30" TKQ1S30 36" x 36" TKQ1S36	
Two Bases				
Ora Work Table, 26"h	16" dia. footprint Qty: 2 TKQ2C			72" x 36" TKQ1T3672 84" x 42" TKQ1T4284 96" x 42" TKQ1T4296
Ora Work Table, 29"h	16" dia. footprint Qty: 2 TKQ2E			72" x 36" TKQ1T3672 84" x 42" TKQ1T4284 96" x 42" TKQ1T4296

TKQ2B ora base wide occasional table 14h

Product Options

<p>Height</p> <p>14W Wide Profile Base for 14"h Table</p>	<p>Base Finish</p> <p>Flecked Plastic Finish</p> <p>SCJ Iron Fleck</p> <p>SCK Smoke Fleck</p> <p>SCL Polar Fleck</p> <p>SCM Garnet Fleck</p> <p>SCP Agave Fleck</p> <p>Upholstery</p>
---	---

Note Base available in a single finish
 Wide 22" diameter footprint
 Single base required for use with round or square tops 30" or 36"
 Refer to Specifying Chart for correct bases and tops



Base Plastic Finish

975

Base Fabric

COM	COL	Gr.1	Gr.2	Gr.3	Gr.4	Gr.5	Gr.6	Gr.7	Gr.8	Gr.9	Gr.10	Gr.11
1625	1723	1718	1759	1795	1836	1867	1893	1919	1950	1981	2012	2048
Gr.12	Gr.13	Gr.14	Gr.15	Gr.16	Gr.17	Gr.18	Gr.19	Gr.20	Leather		LC	LD
2089	2141	2192	2244	2295	2347	2389	2450	2501	2280	2558	2651	

TKQ2C ora base thin work table 26h

Product Options

Height	Upper Base Finish	Lower Base Finish
26T Thin Profile Base for 26"h Table	Flecked Plastic Finish SCJ Iron Fleck SCK Smoke Fleck SCL Polar Fleck SCM Garnet Fleck SCP Agave Fleck Upholstery	Flecked Plastic Finish SCJ Iron Fleck SCK Smoke Fleck SCL Polar Fleck SCM Garnet Fleck SCP Agave Fleck Upholstery

Note Upper and lower base available in multiple finishes
 Thin 16" diameter footprint
 Single base required for use with round tops 30" or 36" or square top 30"
 Two bases required for use with rectangular tops 72", 84" or 96"
 Refer to Specifying Chart for correct bases and tops
 Add Upper Base and Lower Base price together



Upper Base Plastic Finish

750

Upper Base Fabric

COM	COL	Gr.1	Gr.2	Gr.3	Gr.4	Gr.5	Gr.6	Gr.7	Gr.8	Gr.9	Gr.10	Gr.11
1250	1325	1308	1334	1356	1382	1401	1418	1434	1453	1472	1492	1514
Gr.12	Gr.13	Gr.14	Gr.15	Gr.16	Gr.17	Gr.18	Gr.19	Gr.20	Leather LB		LC	LD
1540	1572	1604	1637	1669	1701	1733	1766	1798	1673	1847	1905	

Lower Base Plastic Finish

750

Lower Base Fabric

COM	COL	Gr.1	Gr.2	Gr.3	Gr.4	Gr.5	Gr.6	Gr.7	Gr.8	Gr.9	Gr.10	Gr.11
1250	1325	1308	1334	1356	1382	1401	1418	1434	1453	1472	1492	1514
Gr.12	Gr.13	Gr.14	Gr.15	Gr.16	Gr.17	Gr.18	Gr.19	Gr.20	Leather LB		LC	LD
1540	1572	1604	1637	1669	1701	1733	1766	1798	1673	1847	1905	

TKQ2D ora base wide work table 26h

Product Options

Height	Upper Base Finish	Lower Base Finish
26W Wide Profile Base for 26"h Table	Flecked Plastic Finish SCJ Iron Fleck SCK Smoke Fleck SCL Polar Fleck SCM Garnet Fleck SCP Agave Fleck Upholstery	Flecked Plastic Finish SCJ Iron Fleck SCK Smoke Fleck SCL Polar Fleck SCM Garnet Fleck SCP Agave Fleck Upholstery

Note Upper and lower base available in multiple finishes
 Wide 22" diameter footprint
 Single base required for use with round tops 42", 48" or 58" or square tops 42", 48" or 54"
 Single base required for use with rectangular top 60"
 Refer to Specifying Chart for correct bases and tops
 Add Upper Base and Lower Base price together



Upper Base Plastic Finish

838

Upper Base Fabric

COM	COL	Gr.1	Gr.2	Gr.3	Gr.4	Gr.5	Gr.6	Gr.7	Gr.8	Gr.9	Gr.10	Gr.11
1363	1445	1456	1497	1533	1574	1605	1631	1657	1688	1719	1750	1786
Gr.12	Gr.13	Gr.14	Gr.15	Gr.16	Gr.17	Gr.18	Gr.19	Gr.20	Leather		LC	LD
1827	1879	1930	1982	2033	2085	2136	2188	2239	2002	2280	2373	

Lower Base Plastic Finish

838

Lower Base Fabric

COM	COL	Gr.1	Gr.2	Gr.3	Gr.4	Gr.5	Gr.6	Gr.7	Gr.8	Gr.9	Gr.10	Gr.11
1363	1445	1456	1497	1533	1574	1605	1631	1657	1688	1719	1750	1786
Gr.12	Gr.13	Gr.14	Gr.15	Gr.16	Gr.17	Gr.18	Gr.19	Gr.20	Leather		LC	LD
1827	1879	1930	1982	2033	2085	2136	2188	2239	2002	2280	2373	

TKQ2E ora base thin work table 29h

Product Options

Height	Upper Base Finish	Lower Base Finish
29T Thin Profile Base for 29"h Table	Flecked Plastic Finish SCJ Iron Fleck SCK Smoke Fleck SCL Polar Fleck SCM Garnet Fleck SCP Agave Fleck Upholstery	Flecked Plastic Finish SCJ Iron Fleck SCK Smoke Fleck SCL Polar Fleck SCM Garnet Fleck SCP Agave Fleck Upholstery

Note Upper and lower base available in multiple finishes
 Thin 16" diameter footprint
 Single base required for use with round tops 30" or 36" or square top 30"
 Two bases required for use with rectangular tops 72", 84" or 96"
 Refer to Specifying Chart for correct bases and tops
 Add Upper Base and Lower Base price together



Upper Base Plastic Finish

763

Upper Base Fabric

COM	COL	Gr.1	Gr.2	Gr.3	Gr.4	Gr.5	Gr.6	Gr.7	Gr.8	Gr.9	Gr.10	Gr.11
1275	1352	1333	1359	1381	1407	1426	1443	1459	1478	1497	1517	1539
Gr.12	Gr.13	Gr.14	Gr.15	Gr.16	Gr.17	Gr.18	Gr.19	Gr.20	Leather		LC	LD
1565	1597	1629	1662	1694	1726	1758	1791	1823	LB	1700	1874	1932

Lower Base Plastic Finish

763

Lower Base Fabric

COM	COL	Gr.1	Gr.2	Gr.3	Gr.4	Gr.5	Gr.6	Gr.7	Gr.8	Gr.9	Gr.10	Gr.11
1275	1352	1333	1359	1381	1407	1426	1443	1459	1478	1497	1517	1539
Gr.12	Gr.13	Gr.14	Gr.15	Gr.16	Gr.17	Gr.18	Gr.19	Gr.20	Leather		LC	LD
1565	1597	1629	1662	1694	1726	1758	1791	1823	LB	1700	1874	1932

TKQ2F ora base wide work table 29h

Product Options

Height	Upper Base Finish	Lower Base Finish
29W Wide Profile Base for 29"h Table	Flecked Plastic Finish SCJ Iron Fleck SCK Smoke Fleck SCL Polar Fleck SCM Garnet Fleck SCP Agave Fleck Upholstery	Flecked Plastic Finish SCJ Iron Fleck SCK Smoke Fleck SCL Polar Fleck SCM Garnet Fleck SCP Agave Fleck Upholstery

Note Upper and lower base available in multiple finishes
 Wide 22" diameter footprint
 Single base required for use with round tops 42", 48" or 58" or square tops 42" or 48"
 Single base required for use with rectangular top 60"
 Refer to Specifying Chart for correct bases and tops
 Add Upper Base and Lower Base price together



Upper Base Plastic Finish

850

Upper Base Fabric

COM	COL	Gr.1	Gr.2	Gr.3	Gr.4	Gr.5	Gr.6	Gr.7	Gr.8	Gr.9	Gr.10	Gr.11
1400	1484	1493	1534	1570	1611	1642	1668	1694	1725	1756	1787	1823
Gr.12	Gr.13	Gr.14	Gr.15	Gr.16	Gr.17	Gr.18	Gr.19	Gr.20	Leather LB		LC	LD
1864	1916	1967	2019	2070	2122	2173	2225	2276	2041	2319	2412	

Lower Base Plastic Finish

850

Lower Base Fabric

COM	COL	Gr.1	Gr.2	Gr.3	Gr.4	Gr.5	Gr.6	Gr.7	Gr.8	Gr.9	Gr.10	Gr.11
1400	1484	1493	1534	1570	1611	1642	1668	1694	1725	1756	1787	1823
Gr.12	Gr.13	Gr.14	Gr.15	Gr.16	Gr.17	Gr.18	Gr.19	Gr.20	Leather LB		LC	LD
1864	1916	1967	2019	2070	2122	2173	2225	2276	2041	2319	2412	

TKQ2G ora base thin cafe table 36h

Product Options

Height	Upper Base Finish	Lower Base Finish
36T Thin Profile Base for 36"h Table	Flecked Plastic Finish SCJ Iron Fleck SCK Smoke Fleck SCL Polar Fleck SCM Garnet Fleck SCP Agave Fleck Upholstery	Flecked Plastic Finish SCJ Iron Fleck SCK Smoke Fleck SCL Polar Fleck SCM Garnet Fleck SCP Agave Fleck Upholstery

Note Upper and lower base available in multiple finishes
 Thin 16" diameter footprint
 Single base required for use with round or square tops 30" or 36"
 Refer to Specifying Chart for correct bases and tops
 Add Upper Base and Lower Base price together



Upper Base Plastic Finish

788

Upper Base Fabric

COM	COL	Gr.1	Gr.2	Gr.3	Gr.4	Gr.5	Gr.6	Gr.7	Gr.8	Gr.9	Gr.10	Gr.11
1300	1378	1358	1384	1406	1432	1451	1468	1484	1503	1522	1542	1564
										Leather		
										LB	LC	LD
										1726	1900	1958

Lower Base Plastic Finish

788

Lower Base Fabric

COM	COL	Gr.1	Gr.2	Gr.3	Gr.4	Gr.5	Gr.6	Gr.7	Gr.8	Gr.9	Gr.10	Gr.11
1300	1378	1358	1384	1406	1432	1451	1468	1484	1503	1522	1542	1564
										Leather		
										LB	LC	LD
										1726	1900	1958

TKQ2H ora base thin cafe table 42h

Product Options

Height	Upper Base Finish	Lower Base Finish
42T Thin Profile Base for 42"h Table	Flecked Plastic Finish SCJ Iron Fleck SCK Smoke Fleck SCL Polar Fleck SCM Garnet Fleck SCP Agave Fleck Upholstery	Flecked Plastic Finish SCJ Iron Fleck SCK Smoke Fleck SCL Polar Fleck SCM Garnet Fleck SCP Agave Fleck Upholstery

Note Upper and lower base available in multiple finishes
 Thin 16" diameter footprint
 Single base required for use with round or square tops 30" or 36"
 Refer to Specifying Chart for correct bases and tops
 Add Upper Base and Lower Base price together



Upper Base Plastic Finish

813

Upper Base Fabric

COM	COL	Gr.1	Gr.2	Gr.3	Gr.4	Gr.5	Gr.6	Gr.7	Gr.8	Gr.9	Gr.10	Gr.11
1350	1431	1408	1434	1456	1482	1501	1518	1534	1553	1572	1592	1614
Gr.12	Gr.13	Gr.14	Gr.15	Gr.16	Gr.17	Gr.18	Gr.19	Gr.20	Leather		LC	LD
1640	1672	1704	1737	1769	1801	1833	1866	1898	LB	1779	1953	2011

Lower Base Plastic Finish

813

Lower Base Fabric

COM	COL	Gr.1	Gr.2	Gr.3	Gr.4	Gr.5	Gr.6	Gr.7	Gr.8	Gr.9	Gr.10	Gr.11
1350	1431	1408	1434	1456	1482	1501	1518	1534	1553	1572	1592	1614
Gr.12	Gr.13	Gr.14	Gr.15	Gr.16	Gr.17	Gr.18	Gr.19	Gr.20	Leather		LC	LD
1640	1672	1704	1737	1769	1801	1833	1866	1898	LB	1779	1953	2011

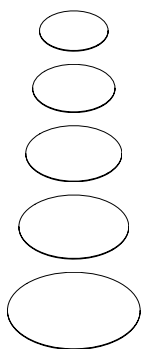
TKQ1R ora table top round

Product Options

Top Size	Power Cut Out	Surface Finish
30 30" dia / 76 cm	NN No Cut Out	Foundation Laminate
36 36" dia / 91 cm	D1 Single Power Cut Out	Grade 2 Laminate
42 42" dia / 107 cm		Studio Veneer
48 48" dia / 122 cm		
58 58" dia / 147 cm		

Note For Single Power Cut Out (D1), add \$30
 Power unit (STYM) sold separately
 Refer to Specifying Chart for correct bases and tops

Price



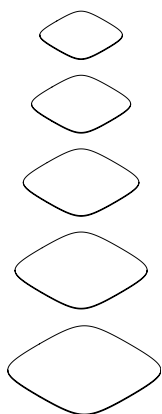
		Foundation Laminate	Grade 2 Laminate	Studio Veneer
30	30" dia / 76 cm	400	475	700
36	36" dia / 91 cm	500	650	860
42	42" dia / 107 cm	550	710	950
48	48" dia / 122 cm	600	760	1150
58	58" dia / 147 cm	875	1175	1400

TKQ1S ora table top square

Product Options

Top Size	Power Cut Out	Surface Finish
30 30"x30" square / 76 cm	NN No Cut Out	Foundation Laminate
36 36"x36" square / 91 cm	D1 Single Power Cut Out	Grade 2 Laminate
42 42"x42" square / 107 cm		Studio Veneer
48 48"x48" square / 122 cm		
54 54"x54" square / 137 cm		

Note For Single Power Cut Out (D1), add \$30
 Power unit (STYM) sold separately
 Refer to Specifying Chart for correct bases and tops



		Price		
		Foundation Laminate	Grade 2 Laminate	Studio Veneer
30	30"x30" square / 76 cm	400	475	700
36	36"x36" square / 91 cm	500	650	860
42	42"x42" square / 107 cm	550	710	950
48	48"x48" square / 122 cm	600	760	1150
54	54"x54" square / 137 cm	740	1040	1275

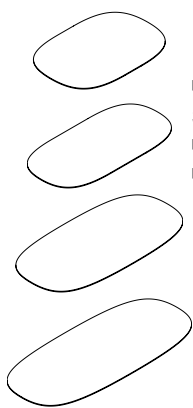
TKQ1T ora table top rectangular

Product Options

Top Size	Power Cut Out	Surface Finish
4260 60"w x 42"d / 152 x 107 cm	NN No Cut Out	Foundation Laminate
3672 72"w x 36"d / 183 x 91 cm	D1 Single Power Cut Out	Grade 2 Laminate
4284 84"w x 42"d / 213 x 107 cm	D2 Two Power Cut Out	Studio Veneer
4296 96"w x 42"d / 244 x 107 cm		

Note For Single Power Cut Out (D1), add \$30 (60" top has only one cut out for power)
 For Double Power Cut Out (D2), add \$60 (72", 84" and 96" tops have two cut outs for power)
 Power unit (STYM) sold separately, for double power cut outs order two units
 Power cut out is always centered over the support pedestal, tables with two pedestals have the option of one or two cut outs
 Cut out option (D2) is available for 3672, 4284, and 4296 only
 Refer to Specifying Chart for correct bases and tops

Price



	Foundation Laminate	Grade 2 Laminate	Studio Veneer
4260 60"w x 42"d / 152 x 107 cm	650	850	1150
3672 72"w x 36"d / 183 x 91 cm	900	1200	1460
4284 84"w x 42"d / 213 x 107 cm	975	1275	1650
4296 96"w x 42"d / 244 x 107 cm	1025	1425	1820