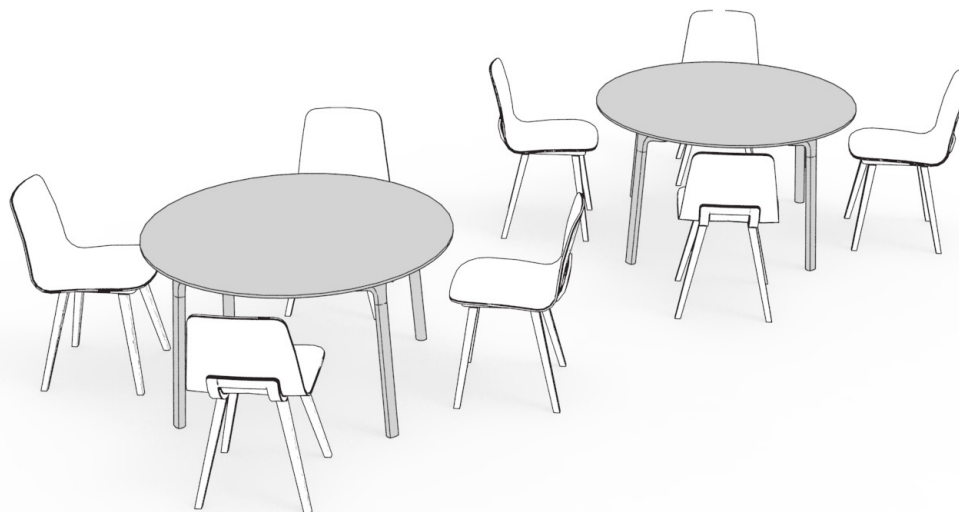


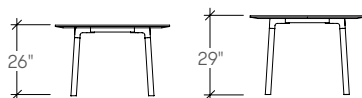
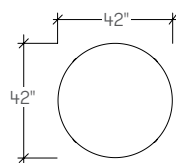
bevy work leg tables

features

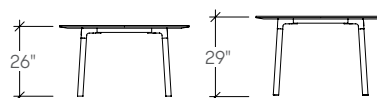
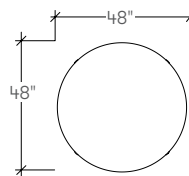
Bevy is a dynamic table platform that enables endless configuration. A variety of heights and sizes give people the ability to work in a variety of ways in any space. The unique wood-leg version brings a crafted elegance, introducing a more emotional response to otherwise traditionally stagnant environments.



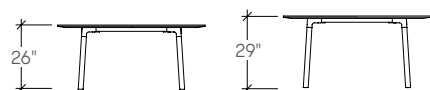
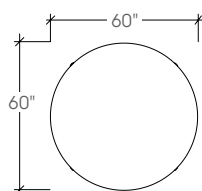
dimensions



Bevy Round Work Leg Table
(STETJ)



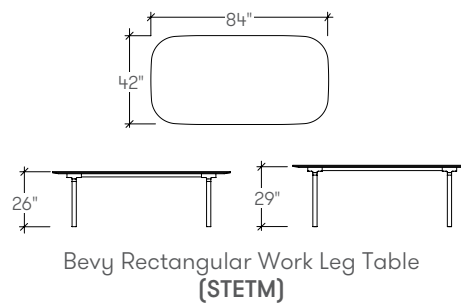
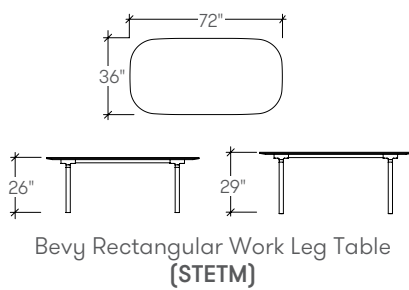
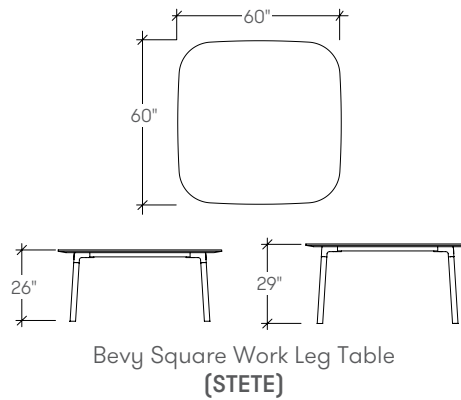
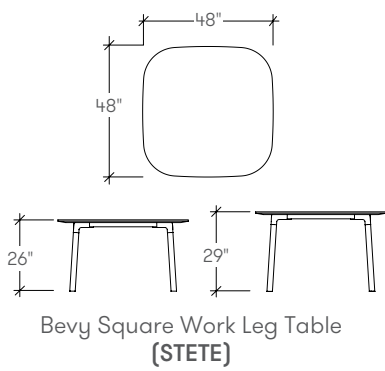
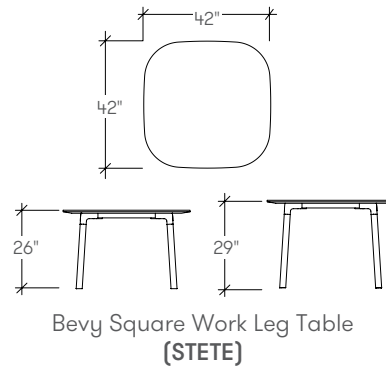
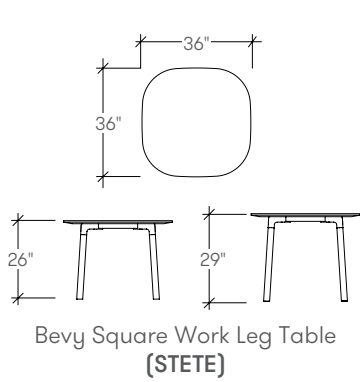
Bevy Round Work Leg Table
(STETJ)



Bevy Round Work Leg Table
(STETJ)

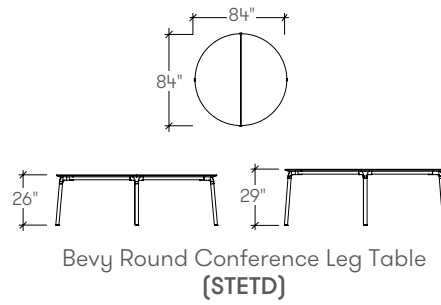
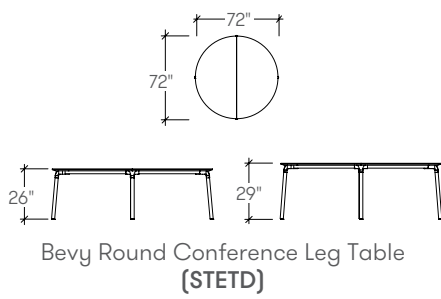
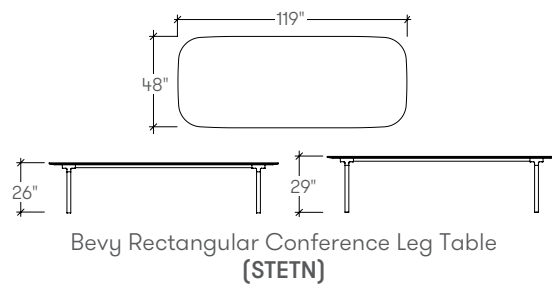
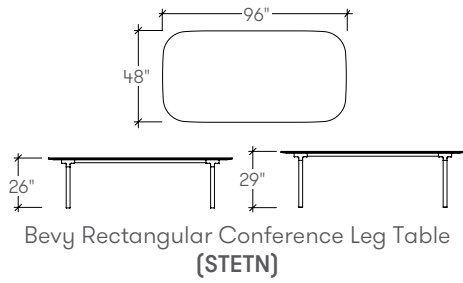
bevy work leg tables

dimensions



bevy conference leg tables

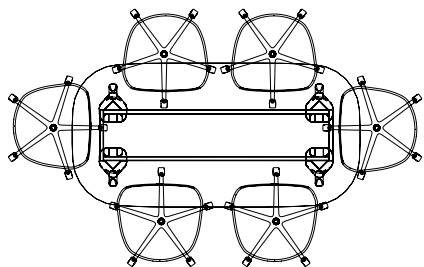
dimensions



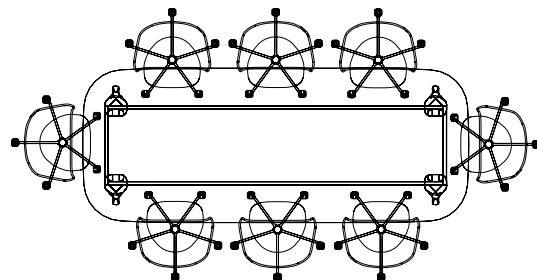
bevy work leg tables

planning

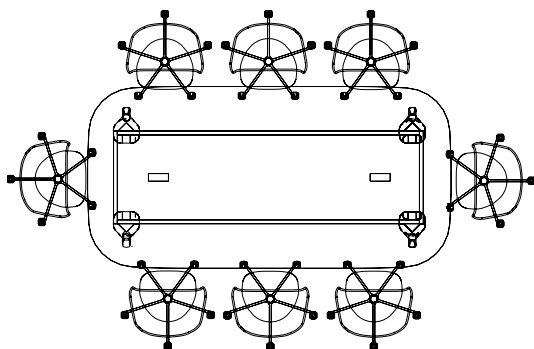
Bevy enables personalization within every configuration through Studio TK's finishes program. The unique wood-leg base is available in a variety of finishes and brings a warmth and elegance to any work, conference or dining environment. Several top sizes in different top surface finishes create an array of choice. A substantial frame under-structure allows for easy wire management, along with providing strength and stability.



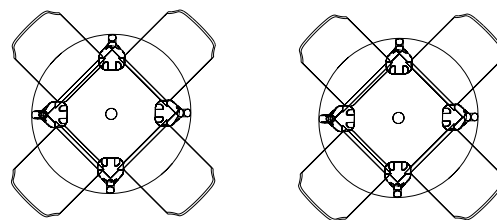
84" x 42" Bevy Leg Table, minimum 6 chairs, Kuskoo Bi 5-Star Base



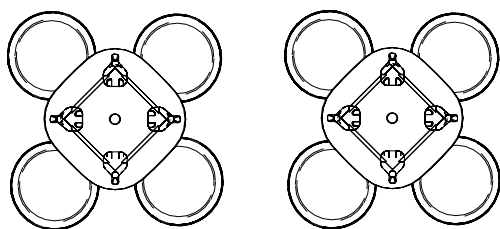
120" x 48" Bevy Leg Table, minimum 8 chairs



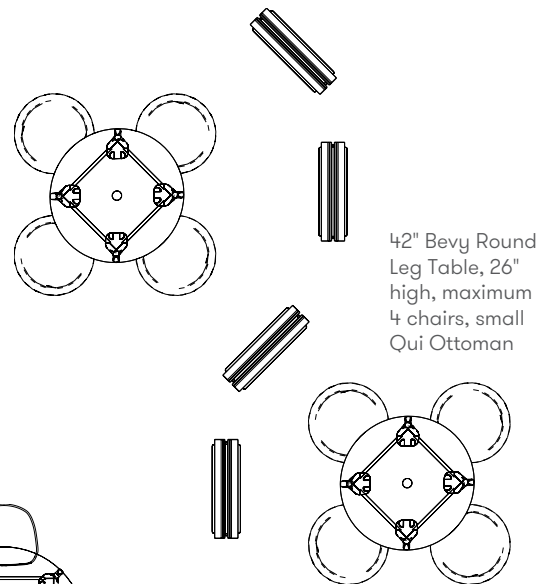
96" x 48" Bevy Leg Table, minimum 8 chairs



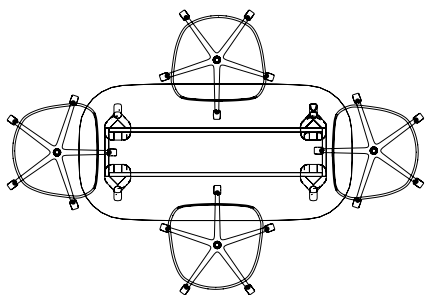
42" Bevy Round Leg Table, maximum 4 chairs, Kuskoo Chair



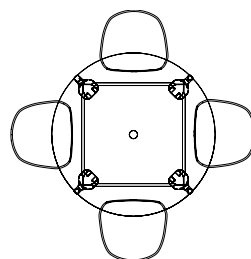
36" x 36" Bevy Leg Table at 26" high, minimum 4 chairs, small Qui Ottoman



42" Bevy Round Leg Table, 26" high, maximum 4 chairs, small Qui Ottoman



72" x 36" Bevy Leg Table, minimum 4 chairs, Kuskoo Bi 5-Star Base



60" Bevy Round Leg Table, minimum 4 chairs, Kuskoo Bi Wood Legs

specification example

Bevy permits a wide range of combinations that vary dependent of the configuration specified. The following demonstrates the order that must be selected.



Steps involved in specifying Bevy Work Leg Tables	Example:
Select configuration	STETM
Select top size	STETMK
Select height	STETMK26
Select power cut out	STETMK26N
Select top surface finish	STETMK26NMV
Select casting finish	STETMK26NMVC9
Select wood leg finish	STETMK26NMVC9BU

When a cut out is specified on Bevy Tables a cable manager will be included to route power down the table leg.

POWER UNITS SOLD SEPARATELY

STETJ bevy round work leg table

Product Options

Top Size	Height	Power Cut Out	Surface Finish	Edge Trim Style	Base Finish	Leg Finish
D 42" Dia / 107cm	26 26" / 66cm	N No Cut Out	Studio Foundation Laminate	G Flat Edge	C9 Polished Aluminum	BU Basque White Oak
E 48" Dia / 122cm	29 29" / 74cm	D Power Cut Out for Single Round Power Bump	Grade 2 Laminate	H Knife Edge	Fundamental Paint	DY Cocoa Brown
R 60" Dia / 152cm			Studio Veneer		Fashion Paint	DV Sierra
			Solid Surface			DZ Truffle
			Glass			NK Natural Oak

Note For Power Cut Out for Single Round Power Bump (D), add \$38
 Back-Painted Glass top surface is not available for 60" dia (R) top size
 For Polished Aluminum, add \$0
 For Fundamental Paint, add \$45
 For Fashion Paint, add \$70
 Laminate and Veneer tops always feature a Knife Edge
 Glass and Solid Surface tops always feature a Flat Edge
 POWER UNITS SOLD SEPARATELY

Price



D 42" Dia x 26" High / 107cm x 66cm, Without Cut Out
D 42" Dia x 29" High / 107cm x 74cm, Without Cut Out



E 48" Dia x 26" High / 122cm x 66cm, Without Cut Out
E 48" Dia x 29" High / 122cm x 74cm, Without Cut Out

R 60" Dia x 26" High / 152cm x 66cm, Without Cut Out
R 60" Dia x 29" High / 152cm x 74cm, Without Cut Out

	Studio Foundation Laminate	Grade 2 Laminate	Studio Veneer	Solid Surface	Glass
D 42" Dia x 26" High / 107cm x 66cm, Without Cut Out	2917	3083	4219	4849	4962
D 42" Dia x 29" High / 107cm x 74cm, Without Cut Out	2957	3124	4258	4889	5001
E 48" Dia x 26" High / 122cm x 66cm, Without Cut Out	3268	3435	4568	5550	5660
E 48" Dia x 29" High / 122cm x 74cm, Without Cut Out	3308	3474	4610	5588	5700
R 60" Dia x 26" High / 152cm x 66cm, Without Cut Out	3547	3860	5270	7649	n/a
R 60" Dia x 29" High / 152cm x 74cm, Without Cut Out	3587	3900	5308	7688	n/a

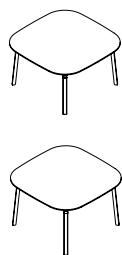
STETE bevy square work leg table

Product Options

Top Size	Height	Power Cut Out	Surface Finish	Edge Trim Style	Leg Casting Finish	Leg Finish
C 36" Wide x 36" Deep / 91cm x 91cm	26 26" / 66cm 29 29" / 74cm	N No Cut Out D Power Cut Out for Single Round Power Bump	Studio Foundation Laminate Grade 2 Laminate Studio Veneer Solid Surface Glass	G Flat Edge H Knife Edge	C9 Polished Aluminum Fundamental Paint Fashion Paint	BU Basque White Oak DY Cocoa Brown DV Sierra DZ Truffle NK Natural Oak
D 42" Wide x 42" Deep / 107cm x 107cm						
E 48" Wide x 48" Deep / 122cm x 122cm						
R 60" Wide x 60" Deep / 152cm x 152cm						

Note For Power Cut Out for Single Round Power Bump (D), add \$38
 Back-Painted Glass top surface is not available for 60" dia (R) top size
 For Polished Aluminum, add \$0
 For Fundamental Paint, add \$45
 For Fashion Paint, add \$70
 Laminate and Veneer tops always feature a Knife Edge
 Glass and Solid Surface tops always feature a Flat Edge
POWER UNITS SOLD SEPARATELY

Price



	Studio Foundation Laminate	Grade 2 Laminate	Studio Veneer	Solid Surface	Glass
C 36" w x 36" d x 26" h / 91cm x 91cm x 66cm, Without Cut Out	2569	2734	3870	4497	4612
C 36" w x 36" d x 29" h / 91cm x 91cm x 74cm, Without Cut Out	2607	2773	3909	4538	4650
D 42" w x 42" d x 26" h / 107cm x 107cm x 66cm, Without Cut Out	2917	3083	4219	4849	4962
D 42" w x 42" d x 29" h / 107cm x 107cm x 74cm, Without Cut Out	2957	3124	4258	4889	5001
E 48" w x 48" d x 26" h / 122cm x 122cm x 66cm, Without Cut Out	3268	3435	4568	5550	5660
E 48" w x 48" d x 29" h / 122cm x 122cm x 74cm, Without Cut Out	3308	3474	4612	5588	5700
R 60" w x 60" d x 26" h / 152cm x 152cm x 66cm, Without Cut Out	3547	3860	5270	7649	n/a
R 60" w x 60" d x 29" h / 152cm x 152cm x 74cm, Without Cut Out	3587	3900	5308	7688	n/a

STEMM bevy rectangular work leg table

Product Options

Top Size	Height	Power Cut Out	Surface Finish	Edge Trim Style	Leg Casting Finish	Leg Finish
H 72" Wide x 36" Deep / 183cm x 91cm	26 26" / 66cm	N No Cut Out	Studio Foundation Laminate	G Flat Edge	C9 Polished Aluminum	BU Basque White Oak
	29 29" / 74cm	E Power Cut Out for Dual Round Power Bump	Grade 2 Laminate	H Knife Edge		DY Cocoa Brown
K 84" Wide x 42" Deep / 213cm x 107cm		Z Power Cut Out for Dual Rectangular Power Core	Studio Veneer		Fundamental Paint	DV Sierra
			Solid Surface		Fashion Paint	DZ Truffle
			Glass			NK Natural Oak

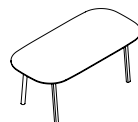
Note For Power Cut Out for Dual Round Power Bump (E), add \$50
 For Power Cut Out for Dual Rectangular Power Core (Z), add \$50
 Back-Painted Glass top surface is not available for 84"w x 42"d (K) top size
 For Polished Aluminum, add \$0
 For Fundamental Paint, add \$45
 For Fashion Paint, add \$70
 Laminate and Veneer tops always feature a Knife Edge
 Glass and Solid Surface tops always feature a Flat Edge
POWER UNITS SOLD SEPARATELY

Price



H 72" w x 36" d x 26" h / 183cm x 91cm x 66cm, Without Cut Out
 H 72" w x 36" d x 29" h / 183cm x 91cm x 74cm, Without Cut Out

	Studio Foundation Laminate	Grade 2 Laminate	Studio Veneer	Solid Surface	Glass
H 72" w x 36" d x 26" h / 183cm x 91cm x 66cm, Without Cut Out	3140	3454	5030	6151	6640
H 72" w x 36" d x 29" h / 183cm x 91cm x 74cm, Without Cut Out	3183	3497	5074	6192	6683
K 84" w x 42" d x 26" h / 213cm x 107cm x 66cm, Without Cut Out	3841	4174	5732	9371	n/a
K 84" w x 42" d x 29" h / 213cm x 107cm x 74cm, Without Cut Out	3884	4216	5772	9412	n/a



K 84" w x 42" d x 26" h / 213cm x 107cm x 66cm, Without Cut Out
 K 84" w x 42" d x 29" h / 213cm x 107cm x 74cm, Without Cut Out

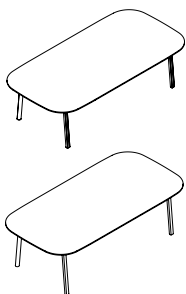
STETN bevy rectangular conference leg table

Product Options

Top Size	Height	Power Cut Out	Surface Finish	Edge Trim Style	Leg Casting Finish	Leg Finish
L 96" Wide x 48" Deep / 244cm x 122cm	26 26" / 66cm	N No Cut Out	Studio Foundation Laminate	G Flat Edge	C9 Polished Aluminum	BU Basque White Oak
	29 29" / 74cm	E Power Cut Out for Dual Round Power Bump	Grade 2 Laminate	H Knife Edge		Fundamental Paint
M 119" Wide x 48" Deep / 305cm x 122cm		Z Power Cut Out for Dual Rectangular Power Core	Studio Veneer		Fashion Paint	DV Sierra
			Solid Surface			DZ Truffle
						NK Natural Oak

Note For Power Cut Out for Dual Round Power Bump [E], add \$50
 For Power Cut Out for Dual Rectangular Power Core [Z], add \$50
 Back-Painted Glass top surface is not available for 96" and 119" top sizes
 For Polished Aluminum, add \$0
 For Fundamental Paint, add \$45
 For Fashion Paint, add \$70
 Laminate and Veneer tops always feature a Knife Edge
 Solid Surface tops always feature a Flat Edge
POWER UNITS SOLD SEPARATELY

Price



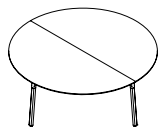
	Studio Foundation Laminate	Grade 2 Laminate	Studio Veneer	Solid Surface
L 96" w x 48" d x 26" h / 244cm x 122cm x 66cm, Without Cut Out	4163	4496	6055	11371
L 96" w x 48" d x 29" h / 244cm x 122cm x 74cm, Without Cut Out	4443	4776	6402	11721
M 119" w x 48" d x 26" h / 305cm x 122cm x 66cm, Without Cut Out	4443	5071	6333	12000
M 119" w x 48" d x 29" h / 305cm x 122cm x 74cm, Without Cut Out	4722	5350	6683	12072

STETD bevy round conference leg table

Product Options

Top Size	Height	Power Cut Out	Surface Finish	Edge Trim Style	Leg Casting Finish	Leg Finish
S 72" dia / 183cm	26 26" / 66cm	N No Cut Out	Studio Foundation Laminate	G Flat Edge	C9 Polished Aluminum	BU Basque White Oak
T 84" dia / 213cm	29 29" / 74cm	E Power Cut Out for Dual Round Power Bump	Grade 2 Laminate	H Knife Edge	Fundamental Paint	DY Cocoa Brown
		Z Power Cut Out for Dual Rectangular Power Core	Studio Veneer		Fashion Paint	DV Sierra DZ Truffle NK Natural Oak

Note For either Dual Round Power Bump or Dual Rectangular Power Core Cut Out, add \$38
 For Fundamental Paint Finish, add \$45
 For Fashion Paint Finish, add \$63
 Laminate and Veneer tops always feature a Knife Edge
 POWER UNIT SOLD SEPARATELY



- S 72" dia x 26" h / 183cm x 66cm, No Cut Out
- S 72" dia x 29" h / 183cm x 74cm, No Cut Out
- T 84" dia x 26" h / 213cm x 66cm, No Cut Out
- T 84" dia x 29" h / 213cm x 74cm, No Cut Out

Price

Studio Foundation Laminate	Grade 2 Laminate	Studio Veneer
4967	5595	7861
5006	5634	7903
5758	6386	8655
5797	6424	8694