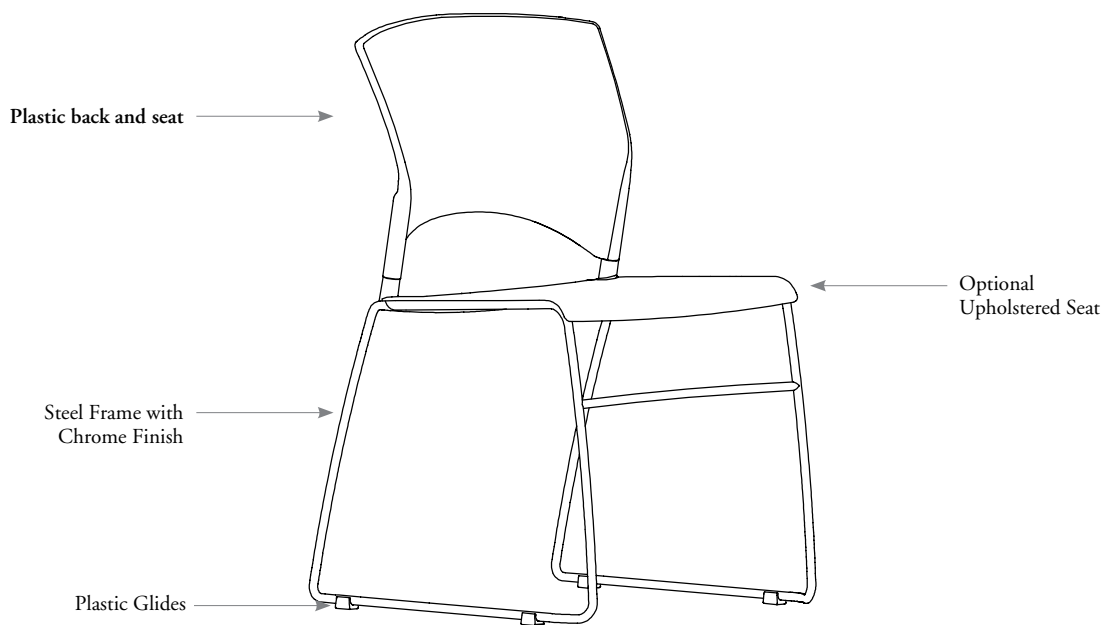


stacking chairs

volume overview

Volume is a high-density stacking chair ideal for small and large spaces including cafeterias, auditoriums, training rooms, classrooms and conference rooms.

Volume – Stacking Chair (NHDS)



statement of line

* Ganging Device, Upholstered Seat and Dolly also available



Stacking Chair –
No Arms
(NHDSN)



With Tablet
(right-handed)
(NHDSR)



With Tablet
(left-handed)
(NHDSL)



With Bookrack
(NHDSB)



With Tablet
(right-handed)
and Bookrack
(NHDSBR)



With Tablet
(left-handed) and
Bookrack
(NHDSBL)

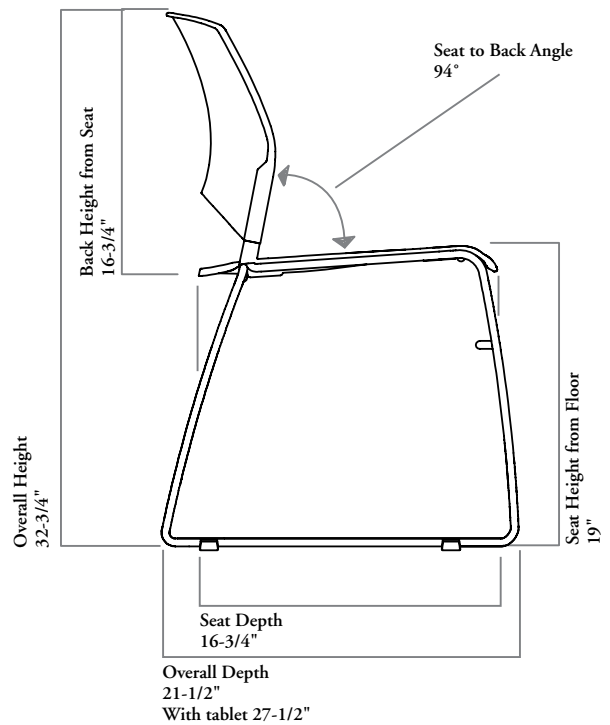
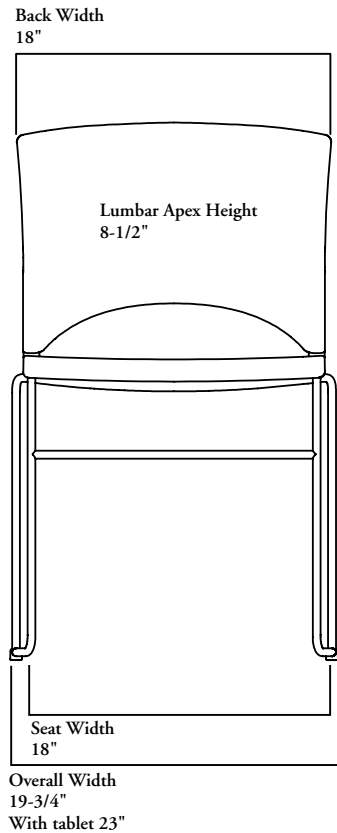
volume dimensions & material requirements

features

- Designed and tested for users up to 300 lbs

weight

Chair	15 lbs
-------	--------



Other Dimensions

- Dolly Dimensions – 40" d x 25" w x 35" h
- Dolly Dimensions with 35 stacked plastic chairs or 25 stacked upholstered chairs – 76" h x 25" w x 42" d
- Tablet Dimensions – 17-1/2" d x 16 -3/4" w
- Bookrack Dimensions – 12" w x 14" l

COM/COL material requirement

The pattern, repeat and directionality of fabric may increase the amount of yardage required.

Leather quantities should always be rounded up to the next hide size, as yields vary from 60-80% and are affected by the quality, size and shape of the hide, and by the location and quantity of blemishes.

SEAT UPHOLSTERY

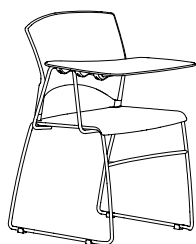
	COM [yards]	COL [sq. ft]
Medium	0.75	6.5

stacking chairs

Xpress

NHDS

Volume – Stacking Chair



FEATURES

- Non upholstered chairs stack 35 high on the dolly and 10 high on the floor
- Upholstered chairs stack 25 high on the dolly and 8 high on the floor

NOTES

When Tablet Arm is specified, chair is no longer stackable.

When Bookrack is specified, chair is no longer stackable.

Tablet surface is finished in Ebony and frame is finished in Chrome.

Bookrack is finished in Chrome frame with Ebony plastic shelf details.

PRODUCT OPTIONS

Arm Style	Upholstered/Seat Style	Back Finish	Seat Finish	Upholstery Finish (If applicable)	Frame Finish	Bookrack	Tablet Arm
N No Arms	U Upholstered	6H Medium Grey	6H Medium Grey	Fabric	C Chrome	N No Bookrack	N No Tablet Arm
	N Not Upholstered	7E Espresso	7E Espresso			B With Bookrack	R With Tablet Arm (right-handed)
		7F Ebony	7F Ebony				L With Tablet Arm (left-handed)
		7K Deep Ocean	7K Deep Ocean				
		7Y Storm White	7Y Storm White				

SAMPLE ORDER CODE

NHDS N	U	7Y	7E	M501	C	B	R
--------	---	----	----	------	---	---	---

DESCRIPTION

Not Upholstered Seat

Upholstered Seat

PRICE

	COM/		COL/							
	Grade 1	Grade 2	Grade 3	Grade 4	Grade 5	Grade 6	Grade 7	Grade 8	Grade 9	Grade 10
Not Upholstered Seat	226	n/a	n/a	n/a	n/a	n/a	n/a	n/a	n/a	n/a
Upholstered Seat	n/a	333	357	384	409	434	457	483	508	534

If Bookrack (B) is specified add 103

If Tablet Arm Right (R) or Left (L) is specified add 176

N H D

FEATURES

- Hard casters are standard on the Dolly

NOTES

Bookrack and Tablet Arm must be field installed.

Dolly will hold 35 non upholstered Volume Chairs (NHDS) without Tablet Arm or Bookrack.

Dolly will hold 25 upholstered Volume Chairs (NHDS) without Tablet Arm or Bookrack.

Tablet surface is finished in Ebony and frame is finished in Chrome.

Bookrack is finished in Chrome frame with Ebony plastic shelf details.

Ganging Device ships in quantities of 10.

Volume – Chair Accessories



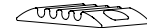
Dolly



Bookrack



Tablet
(right or
left-handed)



Ganging Device

PRODUCT OPTIONS

Accessories
B Bookrack
G Ganging Device
R Tablet (Right-Handed)
L Tablet (Left-Handed)
W Dolly

SAMPLE ORDER CODE

NHD B

DESCRIPTION	PRICE
Bookrack	103
Ganging Device (quantity: 10)	73
Tablet (Right or Left-Handed)	176
Dolly	444