

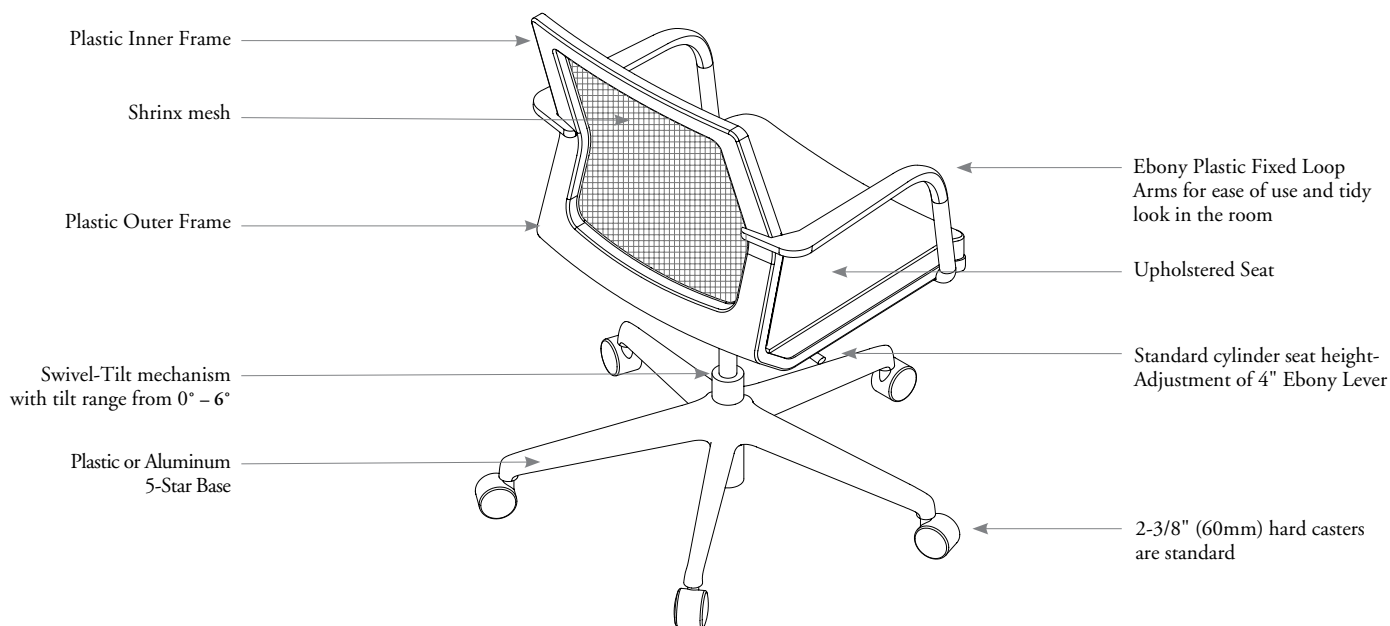
projek conference overview

The Projek Conference Chair is part of the Projek family of Swivel Stool, Task and Guest Chairs. It's a contemporary, mesh-back solution for meeting, conferencing and touch-down applications.

Projek Task and Conference Chairs are equipped with casters intended for use on carpeted surfaces. Use of these casters on hard surfaces could result in unexpected rolling and tipping. Casters designed for use on hard surfaces are available. If in doubt, see your dealer for appropriate selection.

Projek Conference Chair is available in two assembly styles, Fully Assembled and Not Fully Assembled. Customer is responsible for on-site assembly when Not Fully Assembled is specified.

Projek – Conference Chair (NPRC)



See Projek Finish Guide in Work Chairs Section for more details on Plastic Inner and Outer Frame.

statement of line

See Work Chair Section for Projek, Task, Swivel Stool, and Guest Chairs.



Conference Chair
(NPRC)

projek dimensions & material requirements

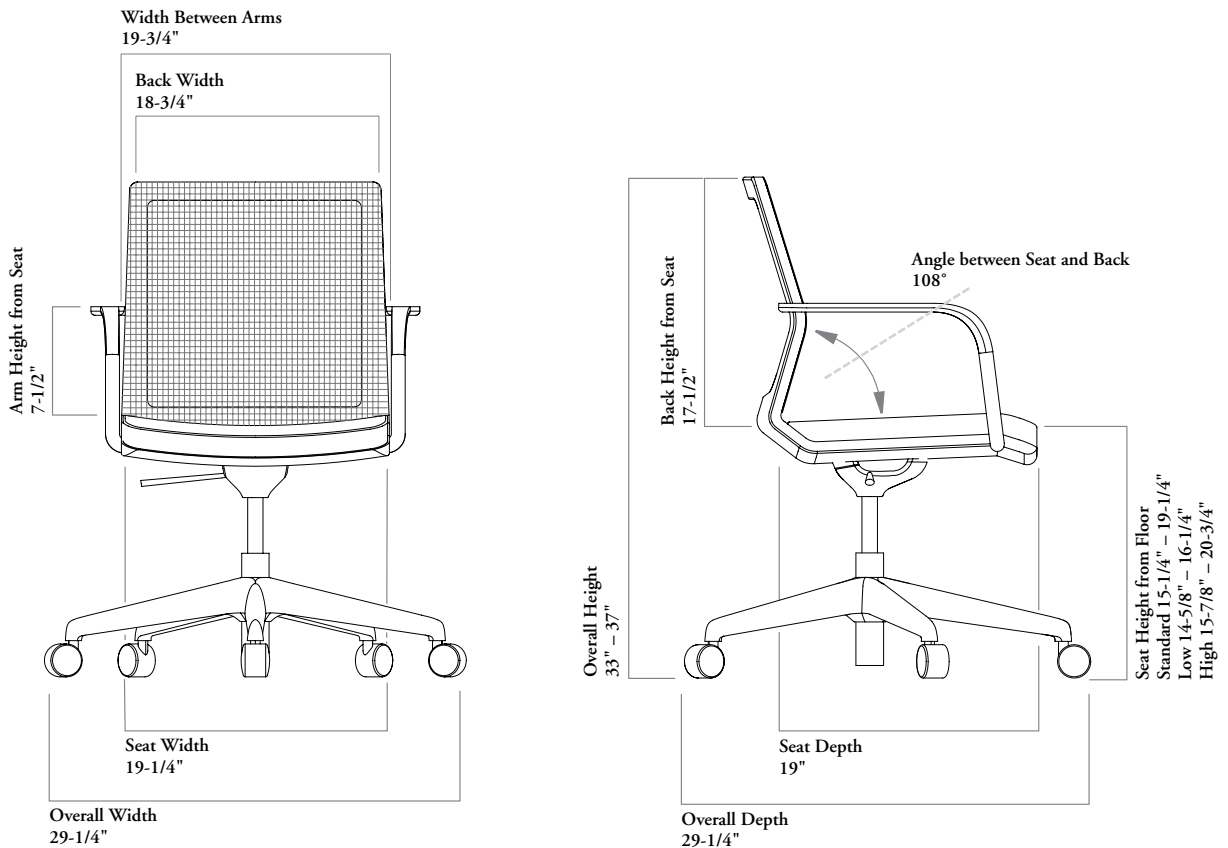
features

- Designed and tested for users up to 300 lbs

weight

Conference Chair	21 lbs
------------------	--------

Conference Chair



COM/COL material requirement

The pattern, repeat and directionality of fabric may increase the amount of yardage required.

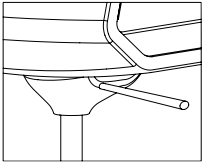
Leather quantities should always be rounded up to the next hide size, as yields vary from 60-80% and are affected by the quality, size and shape of the hide, and by the location and quantity of blemishes.

UPHOLSTERED

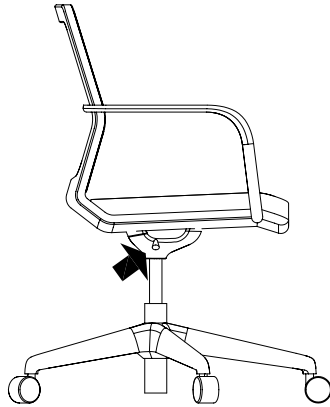
	COM [yards]	COL [sq. ft]
Seat	7/8	8.75

projek adjustment features & instructions

seat height-adjustment

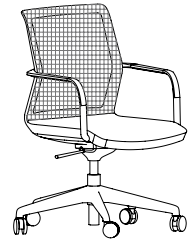


Seat height can be adjusted by pulling up on the lever below the seat on the right hand side. When it is being pulled, the weight of the body will cause the seat to lower, and releasing it stops the seat in the desired position. Pulling upward on the lever with no weight on the seat allows it to rise.



N P R C

Projek – Conference Chair



FEATURES

- Standard pneumatic cylinder provides height-adjustment of 4"
- Swivel-tilt mechanism Seat recline angle range is 0°- 6°
- Fixed-loop arms are finished in Ebony Plastic
- Back Outer and Inner Plastic Frame Finish is available in Ebony and Very White
- Ebony base is available in plastic only. Optional Polished Aluminum base
- Hard casters are standard and are well suited for soft flooring such as carpeting
- Soft casters are available for use on hard flooring, such as wood, concrete or tile

NOTES

Projek Chair is Dual Upholstery with Shrinx Mesh available on the back only and Teknion's Standard Fabrics on seat. See Projek Finish Guide in Work Chair Section to define Plastic Outer Frame and Plastic Inner Frame.

PRODUCT OPTIONS

Shrinx Mesh Back	Seat Upholstery Finish	Plastic Outer Frame Finish	Plastic Inner Frame Finish	Base Finish	Casters/Glides (Optional)	Assembly Style
S2 Ebony Original	Fabric	8B Ebony	8B Ebony	52 Ebony	Casters, Hard	F Fully Assembled
S4 Veil Noir	Leather	8C Very White	8C Very White	C9 Polished Aluminum	A Casters, Soft	N Not Fully Assembled
S5 Veil Blanc					B Glides, Hard	
S6 Veil Grau					C Glides, Soft	
F1 Fleck Charcoal						
F2 Fleck Smoke						
F3 Fleck Dune						
F4 Fleck Peat						

SAMPLE ORDER CODE

NPRC S4	E523	8B	8B	C9	A	F
----------------	-------------	-----------	-----------	-----------	----------	----------

DESCRIPTION

PRICE

	Grade 1	COM/ Grade 2	COL/ Grade 3	Grade 4	Grade 5	Grade 6	Grade 7	Grade 8	Grade 9	Grade 10
Fixed Loop Arms	808	831	853	877	900	923	945	968	992	1059
	Leather LA	Leather LB	Leather LC	Leather LD						
Fixed Loop Arms	1001	1030	1115	1144						

If Polished Aluminum (C9) Base is specified	add	76
If Soft Casters (A) are specified	add	21
If Hard Glides (B) are specified	add	21
If Soft Glides (C) are specified	add	33
If Fully Assembled (F) are specified	add	0