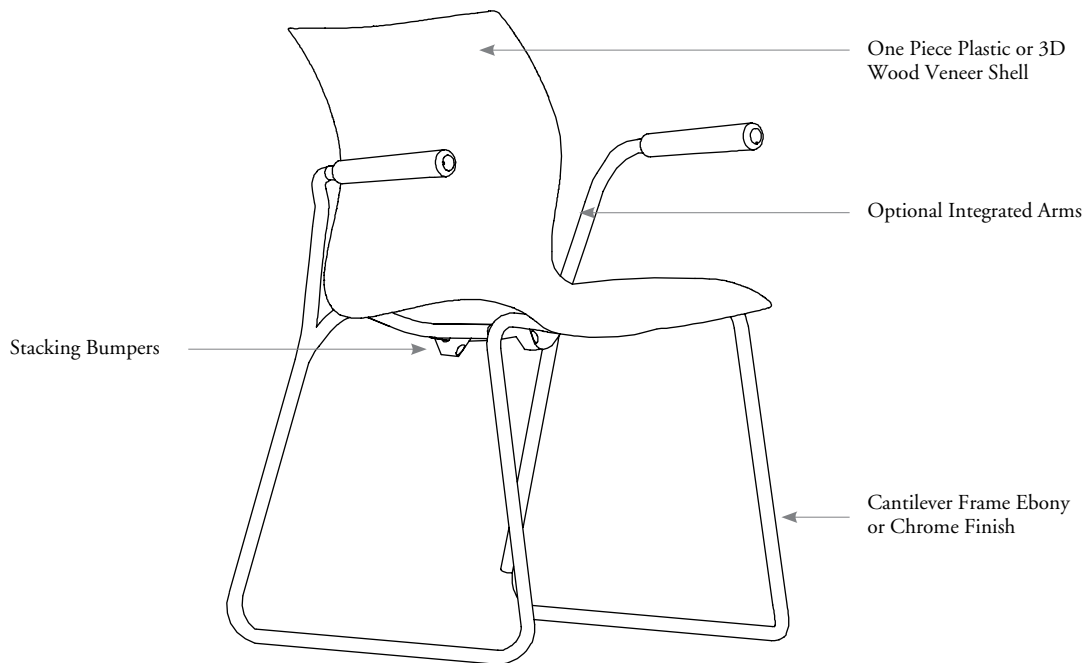


stacking chairs

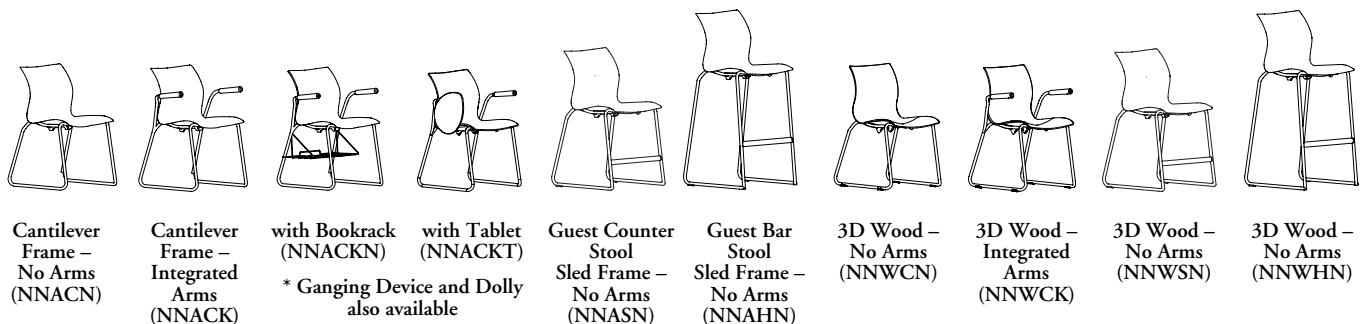
nami overview

Nami is a contemporary European designed stacking chair, whose name and form are inspired by a cresting wave. Its flexing plastic or 3D wood shell provides lumbar and thoracic support as well as comfort and beauty.

Nami – Plastic Stacking Guest Chair (NNAC)



statement of line



nami dimensions & material requirements

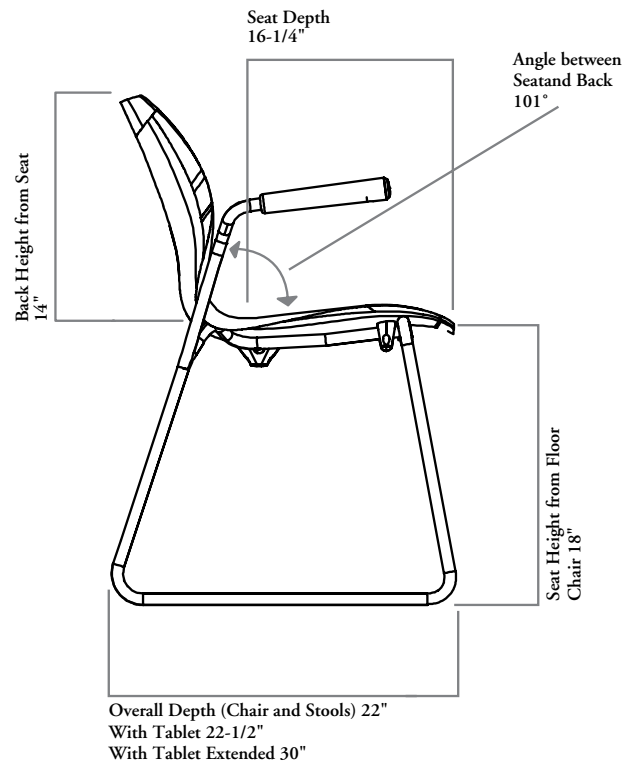
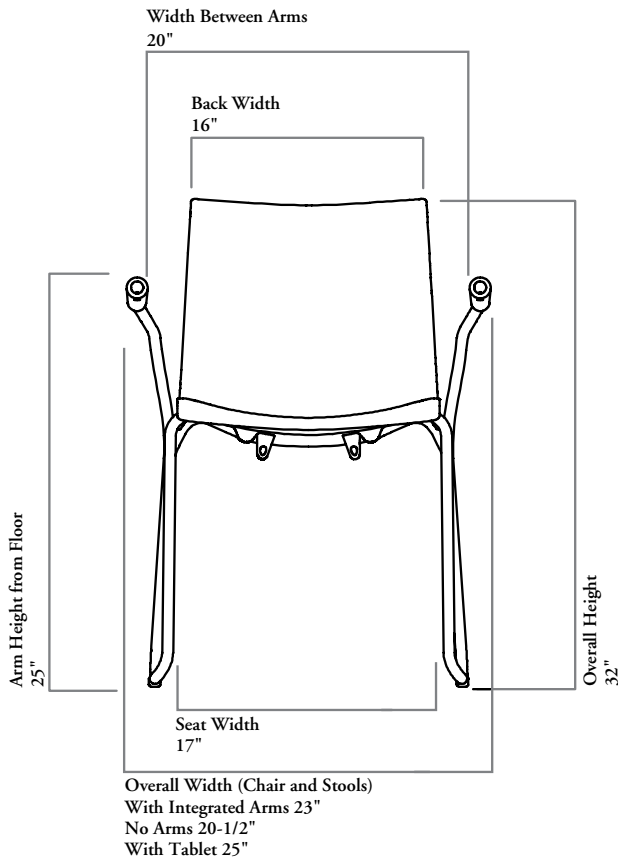
features

- Designed and tested for users up to 300 lbs

Guest Chair

weight

Bar Stool	20 lbs
Counter Stool	19 lbs
Chair	17 lbs



Other Dimensions

- Dolly Dimensions – x 40" d x 51" h x 25" w
- Dolly Dimensions with 20 stacked chairs – 40" d x 74" h x 25" w
- Tablet Dimensions – 10-3/8" d x 13-1/8" w
- Bookrack Dimensions – 15-3/4" d 10 h x 12" w

nami dimensions & material requirements (continued)

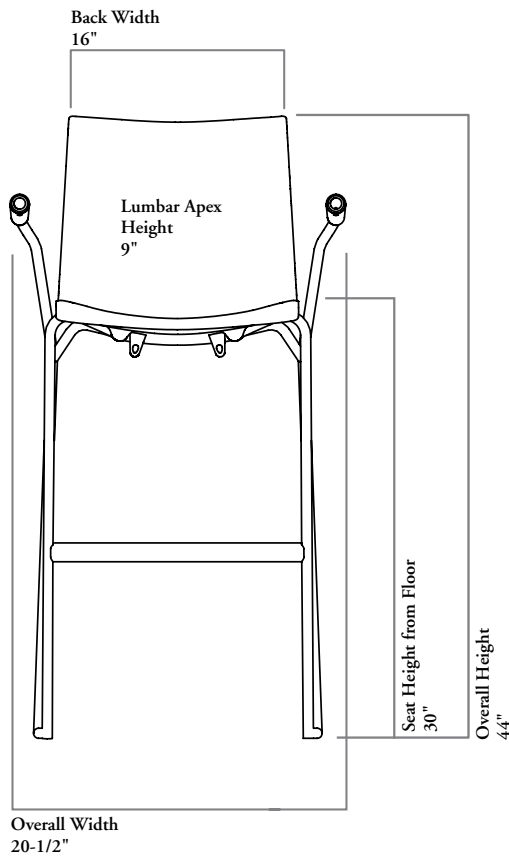
features

- Designed and tested for users up to 300 lbs

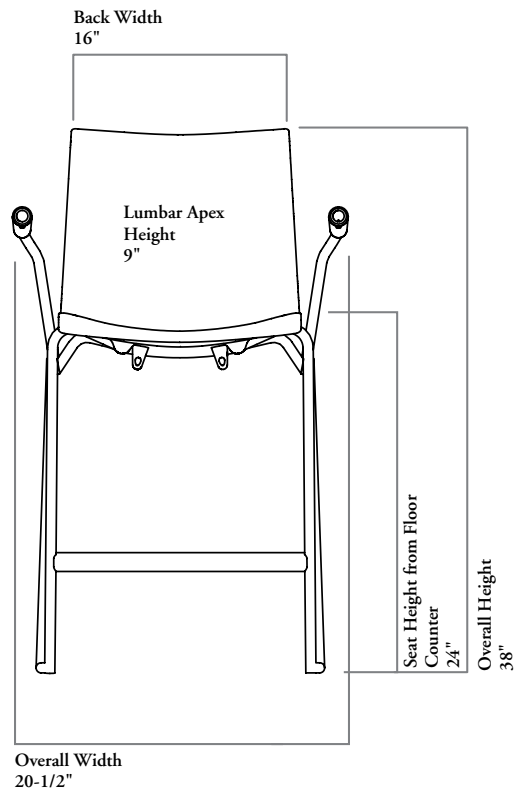
weight

Bar Stool	20 lbs
Counter Stool	19 lbs
Chair	17 lbs

Bar Stool



Counter Stool



Other Dimensions

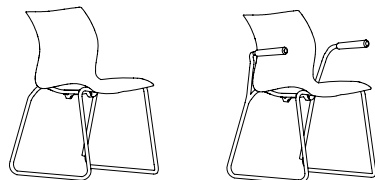
- Dolly Dimensions – x 40" d x 51" h x 25" w
- Dolly Dimensions with 20 stacked chairs – 40" d x 74" h x 25" w
- Tablet Dimensions – 10-3/8" d x 13-1/8" w
- Bookrack Dimensions – 15-3/4" d 10 h x 12" w

stacking chairs

Xpress

NNAC

Nami – Plastic Stacking Guest Chair



FEATURES

- One piece, flexing, plastic shell
- Stacks 20 high on the dolly
- Stacks 8 high on the floor
- Ganging device can gang any combination of arm option (including tablet arm)
- Multi-surface glides

NOTES

Tablet can only be specified on chairs with arms. Tablet is standard on the right and finished in Ebony.

When Tablet is specified, chair is no longer stackable.

When With Ganging (G) is selected, a ganging device is included to connect two chairs.

Not all configurations are available as Xpress. Please see Xpress catalogue and/or specification software for details.

PRODUCT OPTIONS

Frame Style	Arm Style	Frame Finish	Shell Finish	Tablet Option (If Applicable)	Other Options
C Sled	N No Arms	52 Ebony	7A Fearless Red	N No Tablet (Shown)	N No Ganging
	K Integrated Arms (Shown)	C6 Chrome	7F Ebony 7H Light Grey 7K Deep Ocean 7P Lunar Grey 7Y Storm White 8C Very White	T With Tablet	G With Ganging

SAMPLE ORDER CODE

NNAC C	N	52	7P	N	G
--------	---	----	----	---	---

DESCRIPTION

PRICE

No Arms

378

Integrated Arms

509

If Chrome Finish (C6) is specified add 117

If Tablet (T) is specified add 205

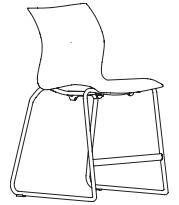
If Ganging Device (G) is specified add 73

NNAS

Nami – Plastic Guest Counter Stool

FEATURES

- One piece, flexing, plastic shell
- Guest Counter Stool is not stackable
- Designed for 36" high counter applications
- Includes a footrest



PRODUCT OPTIONS

Frame Style	Arm Style	Frame Finish	Shell Finish
C Sled	N No Arms	52 Ebony C6 Chrome	7A Fearless Red 7F Ebony 7H Light Grey 7K Deep Ocean 7P Lunar Grey 7Y Storm White 8C Very White

SAMPLE ORDER CODE

NNAS C	N	52	7A
---------------	----------	-----------	-----------

DESCRIPTION	PRICE
No Arms	567

If Chrome Finish (C6) is specified add 152

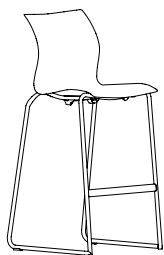
stacking chairs

N N A H

Nami – Plastic Guest Bar Stool

FEATURES

- One piece, flexing, plastic shell
- Bar Stool is not stackable
- Designed for 42" high bar applications
- Includes a footrest



PRODUCT OPTIONS

Frame Style	Arm Style	Frame Finish	Shell Finish
C Sled	N No Arms	52 Ebony C6 Chrome	7A Fearless Red 7F Ebony 7H Light Grey 7K Deep Ocean 7P Lunar Grey 7Y Storm White 8C Very White

SAMPLE ORDER CODE

NNAH C	N	52	7A
---------------	----------	-----------	-----------

DESCRIPTION

PRICE

No Arms

567

If Chrome Finish (C6) is specified add 152

NNWC

Nami – 3D Wood – Stacking Guest Chair

FEATURES

- Innovative one-piece 3D Wood shell in rotary-cut Beech with surface finish in four colors to fit within the range of Teknion's V2-V4 stain finishes
- Stacks 3 high on the floor. Does not stack on dolly.
- Ganging device can gang any combination of arm option (including tablet arm)
- Multi-surface glides

NOTES

Tablet can only be specified on chairs with arms. Tablet is standard on the right and finished in Ebony.

When Tablet is specified, chair is no longer stackable.

When With Ganging (G) is selected, a ganging device is included to connect two chairs.

A TekniStain form is required if a Teknion Wood product is needed in colors outside our standard offering. To order a Custom Wood Stain please use the seating code NOCWS. A one time upcharge per color applies. Please forward a purchase order and TekniStain form to your Customer Service Representative. Allow two (2) weeks for the TekniStain approval process. The Custom Wood Stain sample must be signed off prior to placing product order. Allow (3) extra weeks to the total lead time of the chair when using a custom wood stain. The total lead time will begin once final approved samples have been received from customer to Teknion. The custom wood stain sample must be signed off prior to placing product order.



PRODUCT OPTIONS

Frame Style	Arm Style	Frame Finish	Wood Shell Finish	Tablet Option (If Applicable)	Other Options
C Sled	N No Arms	52 Ebony	BV Manila	N No Tablet (Shown)	N No Ganging
	K Integrated Arms (Shown)	C6 Chrome	BW Clove BX Tobacco BY Ginger Custom Wood Stains	T With Tablet	G With Ganging

SAMPLE ORDER CODE

NNWC C	N	C6	DY	N	G
---------------	----------	-----------	-----------	----------	----------

DESCRIPTION

PRICE

No Arms

865

Integrated Arms

995

If Chrome Finish (C6) is specified add 117

If Tablet (T) is specified add 205

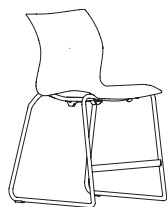
If Ganging Device (G) is specified add 73

To order a Custom Wood Stain Color for Seating please use the code NOCWS. A one time 913 list charge per color applies.

stacking chairs

NNWS

Nami – 3D Wood – Guest Counter Stool



FEATURES

- Innovative one-piece 3D Wood shell in rotary-cut Beech with surface finish in four colors to fit within the range of Teknion's V2-V4 stain finishes
- Guest Counter Stool is not stackable
- Designed for 36" high counter applications
- Includes a footrest

A TekniStain form is required if a Teknion Wood product is needed in colors outside our standard offering. To order a Custom Wood Stain please use the seating code NOCWS. A one time upcharge per color applies. Please forward a purchase order and TekniStain form to your Customer Service Representative. Allow two (2) weeks for the TekniStain approval process. The Custom Wood Stain sample must be signed off prior to placing product order. Allow (3) extra weeks to the total lead time of the chair when using a custom wood stain. The total lead time will begin once final approved samples have been received from customer to Teknion. The custom wood stain sample must be signed off prior to placing product order.

PRODUCT OPTIONS

Frame Style	Arm Style	Frame Finish	Wood Shell Finish
C Sled	N No Arms	52 Ebony C6 Chrome	BV Manila BW Clove BX Tobacco BY Ginger Custom Wood Stains

SAMPLE ORDER CODE

NNWS C	N	C6	DY
---------------	----------	-----------	-----------

DESCRIPTION

PRICE

No Arms

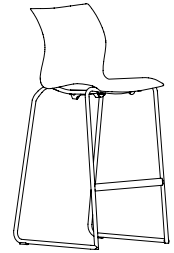
1048

If Chrome Finish (C6) is specified add 152

To order a Custom Wood Stain Color for Seating please use the code NOCWS. A one time 882 list charge per color applies.

NNWH

Nami – 3D Wood – Guest Bar Stool



FEATURES

- Innovative one-piece 3D Wood shell in rotary-cut Beech with surface finish in four colors to fit within the range of Teknion's V2-V4 stain finishes
- Bar Stool is not stackable
- Designed for 42" high bar applications
- Includes a footrest

A TekniStain form is required if a Teknion Wood product is needed in colors outside our standard offering. To order a Custom Wood Stain please use the seating code NOCWS. A one time upcharge per color applies. Please forward a purchase order and TekniStain form to your Customer Service Representative. Allow two (2) weeks for the TekniStain approval process. The Custom Wood Stain sample must be signed off prior to placing product order. Allow (3) extra weeks to the total lead time of the chair when using a custom wood stain. The total lead time will begin once final approved samples have been received from customer to Teknion. The custom wood stain sample must be signed off prior to placing product order.

PRODUCT OPTIONS

Frame Style	Arm Style	Frame Finish	Wood Shell Finish
C Sled	N No Arms	52 Ebony C6 Chrome	BV Manila BW Clove BX Tobacco BY Ginger Custom Wood Stains

SAMPLE ORDER CODE

NNWH C	N	C6	DY
---------------	----------	-----------	-----------

DESCRIPTION	PRICE
No Arms	1048

If Chrome Finish (C6) is specified add 152

To order a Custom Wood Stain Color for Seating please use the code NOCWS. A one time 882 list charge per color applies.

stacking chairs

N N A

Nami – Chair Accessories



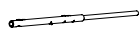
Dolly



Bookrack



Tablet



Ganging Device

FEATURES

- Ganging Device can gang any combination of arm option (including tablet arm)
- Hard casters are standard on the Dolly
- Dolly is finished in Ebony

NOTES

The Ganging Device is used to attach two Nami Stacking Plastic Chairs (NNAC) or 3D Wood Chairs (NNWC) that were not previously ordered with the Ganging option.

Bookrack must be field installed.

Tablet is finished in Ebony.

Dolly will hold 20 Plastic Nami Chairs (NNAC) without Tablet Arm. Not to be used for 3D Wood Chairs (NNWC).

PRODUCT OPTIONS

Accessories	Bookrack Finish (If applicable)
G Ganging Device	52 Ebony
B Bookrack	C6 Chrome
T Tablet	
W Dolly	

SAMPLE ORDER CODE

NNA B	C6
--------------	-----------

DESCRIPTION	PRICE
Ganging Device	73
Bookrack	104
Tablet	205
Dolly	436