

# multi-use chairs

## amicus guest overview

The Amicus guest chair features a distinctive curvilinear profile. Lightly scaled, it is well suited for private offices, conference rooms or reception areas.

### Amicus – Cantilever Frame (NAMG)



### statement of line

#### plastic back



4-Leg Frame –  
No Arms  
(NAMGDFNZ)



4-Leg Frame –  
Integrated Arms  
(NAMGDFKZ)



4-Leg Frame with  
Casters – No Arms  
(NAMGDGNZ)



4-Leg Frame –  
Integrated Arms  
(NAMGDGKZ)



Cantilever Frame –  
No Arms  
(NAMGDCNZ)



Cantilever Frame –  
No Arms  
(NAMGDCKZ)

#### upholstered pad on plastic back



4-Leg Frame –  
No Arms  
(NAMGDFNU)



4-Leg Frame –  
Integrated Arms  
(NAMGDFKU)



4-Leg Frame with  
Casters – No Arms  
(NAMGDGNU)



4-Leg Frame –  
Integrated Arms  
(NAMGDGKU)



Cantilever Frame –  
No Arms  
(NAMGDCNU)

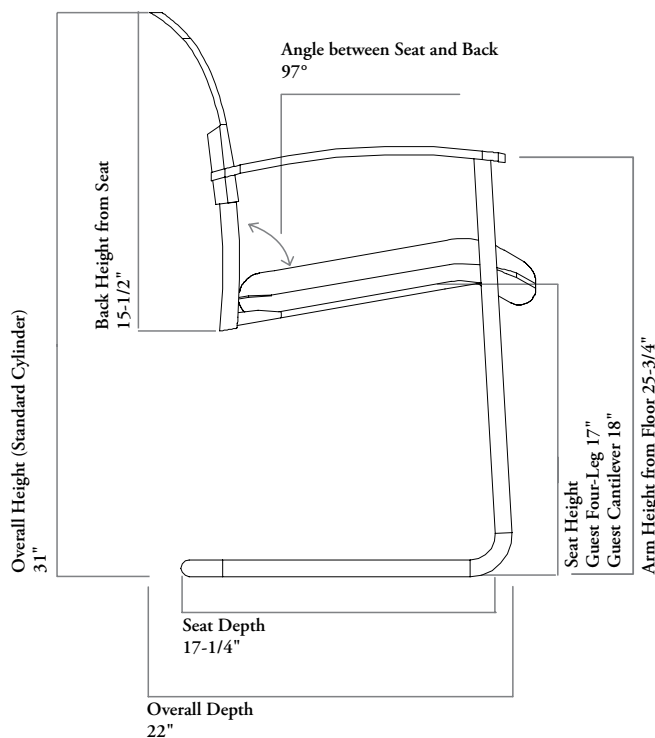
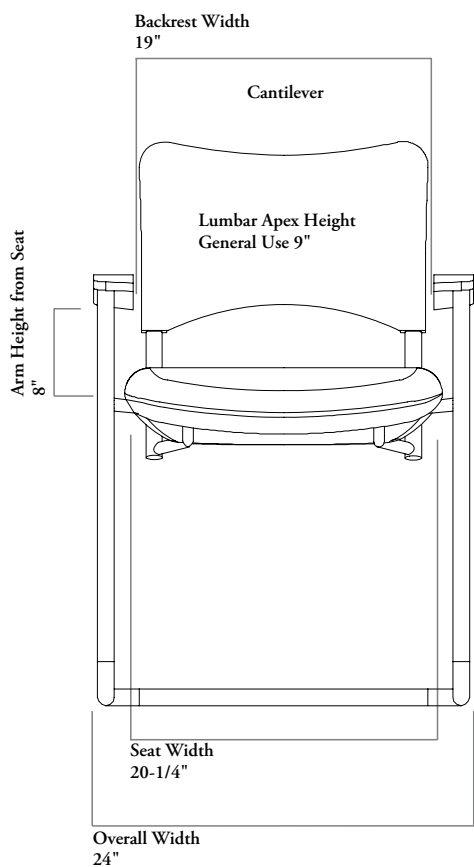


Cantilever Frame –  
No Arms  
(NAMGDCKU)

# amicus guest dimensions & material requirements

## weight

Guest Cantilever	20 lbs
Guest Four-Leg	20 lbs



## COM/COL Material Requirement

The pattern, repeat and directionality of fabric may increase the amount of yardage required.

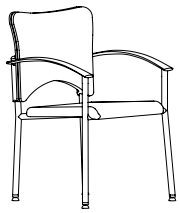
Leather quantities should always be rounded up to the next hide size, as yields vary from 60-80% and are affected by the quality, size and shape of the hide, and by the location and quantity of blemishes.

	SINGLE UPHOLSTERED		DUAL UPHOLSTERED – SEAT		DUAL UPHOLSTERED – BACK	
	COM [yards]	COL [sq. ft]	COM [yards]	COL [sq. ft]	COM [yards]	COL [sq. ft]
Guest Chairs Seat only	1	8.5	n/a	n/a	n/a	n/a
Guest Chairs Seat and Back	1	10.5	n/a	n/a	n/a	n/a

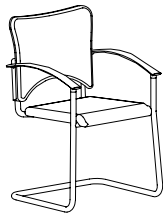
# multi-use chairs

## NAMG

### Amicus – Guest Chair



4-Leg with Glides



Cantilever with Glides

#### FEATURES

- Outer back and arms are plastic and finished in Ebony
- Multi-surface glides are standard when the Cantilever or Four-Leg frame style is specified
- Hard casters are standard when the Four-Leg with Casters frame style is specified. Soft casters may be ordered as an option

#### NOTES

When plastic back style is specified only the seat will be upholstered. When upholstered pad on plastic back is specified both the seat and inside back will be upholstered.

#### PRODUCT OPTIONS

Size	Frame Style	Arm Style	Upholstery/ Back Style	Upholstery Finish	Frame Finish	Casters/Glides (Optional)
D Low-Back	C Cantilever with Glides	N No Arms	Z Plastic	Fabric	E Ebony	A Casters, Soft (For G frame style)
	F 4-Leg with Glides (Shown)	K Integrated Arms	U Upholstered Pad on Plastic Back	Leather	K Mica Silver	D Glides (For C and F frame style)
	G 4-Leg with Casters					

#### SAMPLE ORDER CODE

NAMG D	C	K	Z		E	
--------	---	---	---	--	---	--

#### DESCRIPTION

#### PRICE

#### WITHOUT CASTERS

	Grade 1	COM/ Grade 2	COL/ Grade 3	Grade 4	Grade 5	Grade 6	Grade 7	Grade 8	Grade 9	Grade 10
<b>FOUR-LEG (F) PLASTIC BACK (Z)</b>										
No Arms	520	564	610	653	700	743	785	831	876	1031
Integrated Arms	584	624	672	718	759	806	847	895	940	1093
<b>FOUR-LEG (F) UPHOLSTERED BACK (U)</b>										
No Arms	596	642	688	732	775	817	865	911	953	1109
Integrated Arms	659	703	749	791	838	880	926	972	1014	1170
<b>CANTILEVER (C) PLASTIC BACK (Z)</b>										
No Arms	608	652	695	741	784	830	873	917	961	1117
Integrated Arms	671	717	758	803	846	891	937	981	1027	1177
<b>CANTILEVER (C) UPHOLSTERED BACK (U)</b>										
No Arms	685	727	774	816	864	905	952	997	1040	1196
Integrated Arms	745	790	837	878	923	969	1013	1060	1101	1259

If Mica is specified add 92  
If Soft Casters (A) are specified add 48

Pricing is continued on the following pages.

**N A M G**  
**Amicus – Guest Chair (Continued)**

DESCRIPTION	PRICE									
<b>WITHOUT CASTERS (CONTINUED)</b>										
<b>FOUR-LEG (F) PLASTIC BACK (Z)</b>	Leather LA	Leather LB	Leather LC	Leather LD						
No Arms	820	868	997	1039						
Integrated Arms	885	929	1060	1100						
<b>FOUR-LEG (F) UPHOLSTERED BACK (U)</b>										
No Arms	901	944	1073	1117						
Integrated Arms	961	1007	1136	1177						
<b>CANTILEVER (C) PLASTIC BACK (Z)</b>										
No Arms	911	953	1082	1126						
Integrated Arms	972	1014	1143	1188						
<b>CANTILEVER (C) UPHOLSTERED BACK (U)</b>										
No Arms	987	1032	1164	1204						
Integrated Arms	1050	1094	1223	1265						
<b>WITH CASTERS</b>										
<b>FOUR-LEG (G) PLASTIC BACK (Z)</b>	Grade 1	COM/ Grade 2	COL/ Grade 3	Grade 4	Grade 5	Grade 6	Grade 7	Grade 8	Grade 9	Grade 10
No Arms	571	616	659	704	747	790	837	878	926	1079
Integrated Arms	636	676	721	766	810	854	898	942	987	1141
<b>FOUR-LEG (G) UPHOLSTERED BACK (U)</b>										
No Arms	647	691	737	781	824	869	913	959	1005	1158
Integrated Arms	709	753	800	844	886	930	975	1020	1065	1221
<b>FOUR-LEG (G) PLASTIC BACK (Z)</b>	Leather LA	Leather LB	Leather LC	Leather LD						
No Arms	872	916	1044	1090						
Integrated Arms	936	977	1109	1149						
<b>FOUR-LEG (G) UPHOLSTERED BACK (U)</b>										
No Arms	950	996	1125	1167						
Integrated Arms	1011	1057	1182	1227						
If Mica is specified		add	92							
If Soft Casters (A) are specified		add	48							