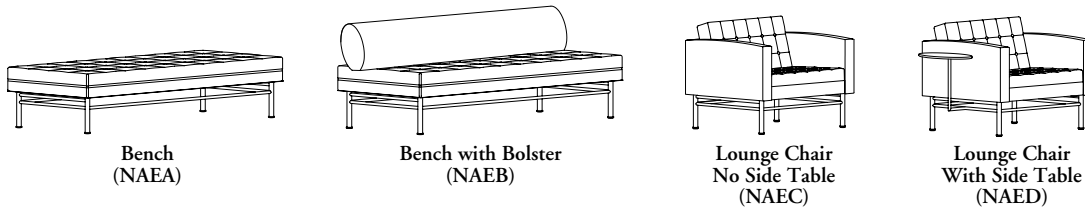


aegis dimensions & material requirements

statement of line

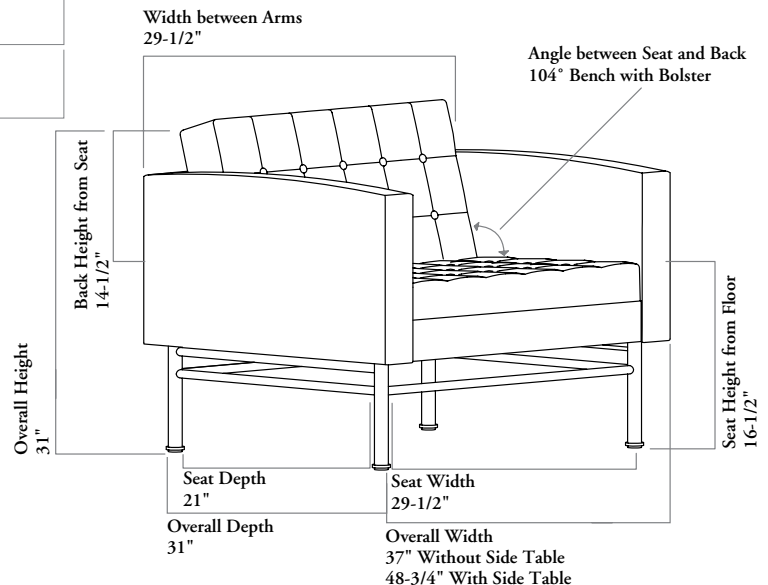
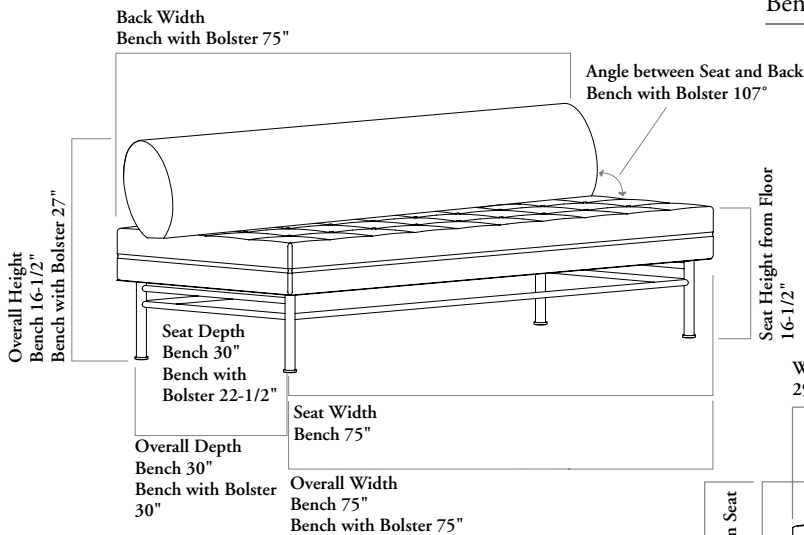


features

- Designed and tested for users up to 250 lbs

weight

Lounge Chair	107 lbs
Lounge Chair with Side Table	120 lbs
Bench	126 lbs
Bench with Bolster	148 lbs



Note: the Aegis Bench and Bench with Bolster have Railroad upholstery orientation while the Aegis Chair has off-the Bolt orientation.

Other Dimensions

- Lounge Chair Side Table:
 - Width 11"
 - Depth 18"

COM/COL material requirement

The pattern, repeat and directionality of fabric may increase the amount of yardage required.

Leather quantities should always be rounded up to the next hide size, as yields vary from 60-80% and are affected by the quality, size and shape of the hide, and by the location and quantity of blemishes.

	COM [yards]	COL [sq. ft]
Bench	4.75	85
Bench with Bolster	5	90
Chair	5	90

soft seating

NAE

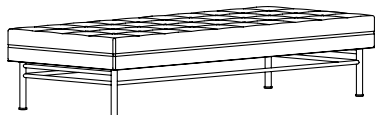
Aegis – Lounge Bench

FEATURES

Multi-surface glides.

NOTES

Standard Upholstery orientation is Railroaded. If Off-the-Bolt orientation is desired, a Special order that includes seams may be specified.



PRODUCT OPTIONS

Style	Upholstery Finish	Frame Finish
A Bench (Shown)	Fabric	E Ebony
B Bench with Bolster	Leather	C Chrome

SAMPLE ORDER CODE

NAE B	L204	C
--------------	-------------	----------

STYLE

Bench
Bench with Bolster
Bench
Bench with Bolster

PRICE

	COM/ Grade 2	COL/ Grade 3	Grade 4	Grade 5	Grade 6	Grade 7	Grade 8	Grade 9	Grade 10	
Bench	2862	3035	3211	3381	3555	3728	3901	4077	4250	4853
Bench with Bolster	3813	3997	4178	4361	4545	4728	4910	5093	5277	5912
	Leather LA	Leather LB	Leather LC	Leather LD						
Bench	4853	5143	6111	6435						
Bench with Bolster	5912	6229	7254	7594						

If Chrome Frame (C) is specified add 451

NAE

Aegis – Lounge Chair

FEATURES

Multi-surface glides

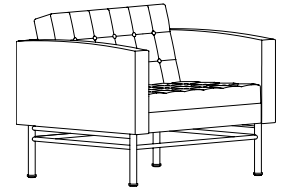
NOTES

Side table configuration is determined from a seated position.

Side table is oval shaped with 18" by 11" dimensions.

Leather LD is **not** available on the Side Table.

Standard Upholstery orientation is Off-the-Bolt.



PRODUCT OPTIONS

Style	Side Table Configuration (Optional)	Upholstery Finish	Frame Finish	Side Table Finish (If applicable)
C No Side Table (Shown)	L Left side of chair	Fabric	E Ebony	Leather
D With Side Table	R Right side of chair	Leather	C Chrome	COL

SAMPLE ORDER CODE

NAE C		L104	C	
--------------	--	-------------	----------	--

STYLE

PRICE

	Grade 1	COM/ Grade 2	COL/ Grade 3	Grade 4	Grade 5	Grade 6	Grade 7	Grade 8	Grade 9	Grade 10
Chair	2544	2727	2908	3090	3272	3456	3640	3822	4004	4641
Chair with Side Table	2862	3044	3226	3410	3593	3774	3959	4140	4322	4960
	Leather LA	Leather LB	Leather LC	Leather LD						
Chair	4641	4959	5982	6323						
Chair with Side Table	4960	5277	6300	6641						

If Chrome Frame (C) is specified		add	451
If Side Table is specified in	Leather LA	add	140
	Leather LB	add	167
	Leather LC	add	251