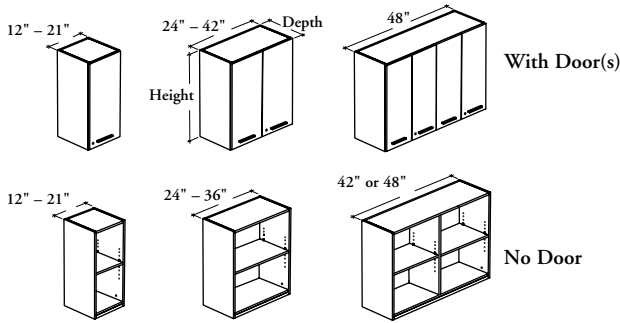


wall cabinets

R H W S

Standard Wall Cabinet



WHAT'S INCLUDED

1 case, pulls (as specified), lock and keys (as specified), mounting hardware, and items listed below:

	Widths				Adjustable Shelf	Heights			
	12" - 21"	24" - 36"	42"	48"		15"	24"	30"	36"
Door	1	2	2	4		0	1	1	2
Divider	0	0	1	1					

WHAT'S EXCLUDED

Wall Supports (RHAWs and RHABC).

NOTES

Door Swing Direction option is available for 12" to 21" wide cabinets only.

Door Edge Trim Finish does not apply to Flintwood doors.

Pull Finish does not apply to Stainless Pull (8).

PRODUCT OPTIONS

Door Option	Depth	Width	Height	Door Swing Direction (If applicable)	Door Finish (If applicable)	Door Edge Trim Finish (If applicable)	Case and Shelf Finish	Hinge Style (If applicable)	Pull Style (If applicable)	Pull Finish (If applicable)	Key Style (If applicable)
D With Door(s)	12, 15	12, 15, 18, 21, 24, 27, 30, 33, 36, 42, 48	15, 24, 30, 36	L Left Side R Right Side (Shown)	Source Laminate Foundation Laminate Flintwood	Edge Trim Colors	Source Laminate	S Standard F Full Extension	1 Standard Expansion 6 Arched 7 Elliptical 8 Stainless 9 Rectilinear	Foundation Accent Mica	R Keyed Randomly K Keyed Alike
O No Door											

SAMPLE ORDER CODE

RHWS D	15	18	36	L	XS	ST	LE	S	9	E	R
-------------------------	-----------	-----------	-----------	----------	-----------	-----------	-----------	----------	----------	----------	----------

DIMENSIONS INCHES / MM

D	W	H
12 / 305	12 / 305	15 / 381
12 / 305	12 / 305	24 / 610
12 / 305	12 / 305	30 / 762
12 / 305	12 / 305	36 / 914
12 / 305	15 / 381	15 / 381
12 / 305	15 / 381	24 / 610
12 / 305	15 / 381	30 / 762
12 / 305	15 / 381	36 / 914
12 / 305	18 / 457	15 / 381
12 / 305	18 / 457	24 / 610
12 / 305	18 / 457	30 / 762
12 / 305	18 / 457	36 / 914
12 / 305	21 / 533	15 / 381
12 / 305	21 / 533	24 / 610
12 / 305	21 / 533	30 / 762
12 / 305	21 / 533	36 / 914

PRICING

NO DOOR (O)

334
387
400
452
340
405
420
478
350
418
452
511
370
442
471
539

WITH DOOR(S) (D)

Source Laminate	Foundation Laminate	Flintwood
435	478	721
552	612	917
583	646	968
656	729	1086
454	508	758
569	633	945
599	665	998
669	743	1115
498	554	832
589	657	980
611	680	1015
681	755	1131
561	623	931
666	740	1109
692	767	1152
769	856	1283

If Full Extension Hinge is specified for widths 12" to 21"	add 22
If Full Extension Hinge is specified for widths 24" to 42"	add 44
If Full Extension Hinge is specified for width 48"	add 88
If Stainless Pull is specified for widths 12" to 21"	add 22
If Stainless Pull is specified for widths 24" to 42"	add 44
If Stainless Pull is specified for width 48"	add 88
If a Key Style is specified for widths 12" to 42"	add 39
If a Key Style is specified for width 48"	add 78

Pricing is continued on the following page.

R H W S
Standard Wall Cabinet
(Continued)

DIMENSIONS
INCHES / MM

D	W	H
12 / 305	24 / 610	15 / 381
12 / 305	24 / 610	24 / 610
12 / 305	24 / 610	30 / 762
12 / 305	24 / 610	36 / 914
12 / 305	27 / 686	15 / 381
12 / 305	27 / 686	24 / 610
12 / 305	27 / 686	30 / 762
12 / 305	27 / 686	36 / 914
12 / 305	30 / 762	15 / 381
12 / 305	30 / 762	24 / 610
12 / 305	30 / 762	30 / 762
12 / 305	30 / 762	36 / 914
12 / 305	33 / 838	15 / 381
12 / 305	33 / 838	24 / 610
12 / 305	33 / 838	30 / 762
12 / 305	33 / 838	36 / 914
12 / 305	36 / 914	15 / 381
12 / 305	36 / 914	24 / 610
12 / 305	36 / 914	30 / 762
12 / 305	36 / 914	36 / 914
12 / 305	42 / 1067	30 / 762
12 / 305	42 / 1067	36 / 914
12 / 305	48 / 1219	30 / 762
15 / 381	12 / 305	15 / 381
15 / 381	12 / 305	24 / 610
15 / 381	12 / 305	30 / 762
15 / 381	12 / 305	36 / 914
15 / 381	15 / 381	15 / 381
15 / 381	15 / 381	24 / 610
15 / 381	15 / 381	30 / 762
15 / 381	15 / 381	36 / 914
15 / 381	18 / 457	15 / 381
15 / 381	18 / 457	24 / 610
15 / 381	18 / 457	30 / 762
15 / 381	18 / 457	36 / 914
15 / 381	21 / 533	15 / 381
15 / 381	21 / 533	24 / 610
15 / 381	21 / 533	30 / 762
15 / 381	21 / 533	36 / 914

PRICING (CONTINUED)

NO DOOR (O)		WITH DOOR(S) (D)		
		Source Laminate	Foundation Laminate	Flintwood
379		582	644	966
453		695	769	1153
493		721	802	1196
561		811	898	1352
393		600	666	999
477		722	800	1201
511		752	832	1254
591		853	944	1416
410		621	691	1034
509		751	831	1242
529		782	866	1298
621		881	974	1465
420		631	699	1048
515		774	858	1291
561		811	898	1352
652		922	1026	1531
441		652	722	1083
536		804	889	1331
582		840	931	1398
670		956	1053	1585
747		1027	1126	1654
851		1169	1282	1884
982		1440	1599	2391
340		454	508	758
402		570	633	947
432		600	666	999
493		673	748	1120
360		493	548	818
435		587	655	976
452		611	680	1015
523		698	773	1159
370		511	568	853
448		616	683	1026
478		641	709	1069
552		721	802	1196
393		582	644	966
482		702	776	1166
498		731	811	1218
582		811	898	1352

- If Full Extension Hinge is specified for widths 12" to 21" add 22
- If Full Extension Hinge is specified for widths 24" to 42" add 44
- If Full Extension Hinge is specified for width 48" add 88
- If Stainless Pull is specified for widths 12" to 21" add 22
- If Stainless Pull is specified for widths 24" to 42" add 44
- If Stainless Pull is specified for width 48" add 88
- If a Key Style is specified for widths 12" to 42" add 39
- If a Key Style is specified for width 48" add 78

Pricing is continued on the following page.

wall cabinets

R H W S

Standard Wall Cabinet (Continued)

DIMENSIONS
INCHES / MM

PRICING (CONTINUED)

DIMENSIONS INCHES / MM			NO DOOR (O)	WITH DOOR(S) (D)		
				Source Laminate	Foundation Laminate	Flintwood
15 / 381	24 / 610	15 / 381	400	600	666	999
15 / 381	24 / 610	24 / 610	487	727	809	1212
15 / 381	24 / 610	30 / 762	529	760	847	1266
15 / 381	24 / 610	36 / 914	611	853	944	1416
15 / 381	27 / 686	15 / 381	420	621	691	1034
15 / 381	27 / 686	24 / 610	511	759	842	1258
15 / 381	27 / 686	30 / 762	552	793	880	1316
15 / 381	27 / 686	36 / 914	641	893	992	1485
15 / 381	30 / 762	15 / 381	432	641	709	1069
15 / 381	30 / 762	24 / 610	542	783	873	1305
15 / 381	30 / 762	30 / 762	570	819	914	1366
15 / 381	30 / 762	36 / 914	670	930	1034	1550
15 / 381	33 / 838	15 / 381	452	659	732	1102
15 / 381	33 / 838	24 / 610	557	812	899	1352
15 / 381	33 / 838	30 / 762	600	853	944	1416
15 / 381	33 / 838	36 / 914	699	969	1079	1617
15 / 381	36 / 914	15 / 381	459	681	755	1131
15 / 381	36 / 914	24 / 610	574	839	930	1397
15 / 381	36 / 914	30 / 762	621	881	974	1465
15 / 381	36 / 914	36 / 914	731	1010	1121	1683
15 / 381	42 / 1067	30 / 762	805	1084	1187	1738
15 / 381	42 / 1067	36 / 914	941	1258	1383	2017
15 / 381	48 / 1219	30 / 762	1057	1515	1690	2527

If Full Extension Hinge is specified for widths 12" to 21"	add 22
If Full Extension Hinge is specified for widths 24" to 42"	add 44
If Full Extension Hinge is specified for width 48"	add 88
If Stainless Pull is specified for widths 12" to 21"	add 22
If Stainless Pull is specified for widths 24" to 42"	add 44
If Stainless Pull is specified for width 48"	add 88
If a Key Style is specified for widths 12" to 42"	add 39
If a Key Style is specified for width 48"	add 78