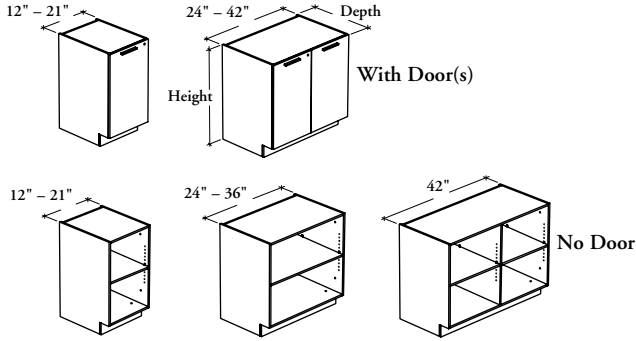


base cabinets

R H B S

Standard Base Cabinet



WHAT'S INCLUDED

1 case, 1 adjustable shelf, pulls (as specified), lock and keys (as specified), levels, hardware, and items listed below:

Widths

	12" - 21"	24" - 36"	42"
Door	1	2	2
Divider	0	0	1

WHAT'S EXCLUDED

Countertop.

NOTES

Door Swing Direction option is available for 12" to 21" wide cabinets only.

Door Edge Trim Finish does not apply to Flintwood doors.

Pull Finish does not apply to Stainless Pull (8).

24" or 29" deep Base Cabinets come with one 24" deep adjustable shelf only.

PRODUCT OPTIONS

Door Option	Depth	Width	Height	Door Swing Direction (If applicable)	Door Finish (If applicable)	Door Edge Trim Finish (If applicable)	Case and Shelf Finish	Hinge Style (If applicable)	Pull Style (If applicable)	Pull Finish (If applicable)	Key Style (If applicable)
D With Door(s)	24, 29	12, 15, 18, 21, 24, 27, 30, 33, 36, 42	33, 35	L Left Side (Shown) R Right Side	Source Laminate Foundation Laminate Flintwood	Edge Trim Colors	Source Laminate	S Standard F Full Extension	1 Standard Expansion 6 Arched 7 Elliptical 8 Stainless 9 Rectilinear	Foundation Accent Mica	R Keyed Randomly K Keyed Alike
O No Door											

SAMPLE ORDER CODE

RHBS D	24	18	35	L	XS	ST	XS	F	9	E	K
-------------------------	-----------	-----------	-----------	----------	-----------	-----------	-----------	----------	----------	----------	----------

DIMENSIONS – INCHES FOR MM X BY 25.4

D	W	H
24	12	33 / 35
24	15	33 / 35
24	18	33 / 35
24	21	33 / 35
24	24	33 / 35
24	27	33 / 35
24	30	33 / 35
24	33	33 / 35
24	36	33 / 35
24	42	33 / 35

PRICING

NO DOOR (O)

611
641
681
709
752
782
811
853
881
1158

WITH DOOR(S) (D)

Source Laminate	Foundation Laminate	Flintwood
721	794	1189
760	837	1256
811	894	1337
922	1011	1517
969	1070	1602
1010	1113	1666
1048	1156	1733
1103	1212	1815
1141	1256	1883
1452	1602	2401

If Full Extension Hinge is specified for widths 12" to 21"	add 22
If Full Extension Hinge is specified for widths 24" to 42"	add 44
If Stainless Pull is specified for widths 12" to 21"	add 22
If Stainless Pull is specified for widths 24" to 42"	add 44
If a Key Style is specified	add 39

Pricing is continued on the following page.

R H B S
Standard Base Cabinet
(Continued)

DIMENSIONS – INCHES
FOR MM X BY 25.4

D	W	H
29	12	33 / 35
29	15	33 / 35
29	18	33 / 35
29	21	33 / 35
29	24	33 / 35
29	27	33 / 35
29	30	33 / 35
29	33	33 / 35
29	36	33 / 35
29	42	33 / 35

PRICING

NO DOOR (O)
839
886
944
990
1043
1087
1135
1190
1234
1497

WITH DOOR(S) (D)		
Source Laminate	Foundation Laminate	Flintwood
958	1052	1576
1010	1116	1670
1080	1189	1775
1209	1330	1992
1273	1401	2103
1331	1463	2193
1384	1528	2283
1450	1599	2392
1506	1660	2489
1788	1969	2956

- If Full Extension Hinge is specified for widths 12" to 21" add 22
- If Full Extension Hinge is specified for widths 24" to 42" add 44
- If Stainless Pull is specified for widths 12" to 21" add 22
- If Stainless Pull is specified for widths 24" to 42" add 44
- If a Key Style is specified add 39