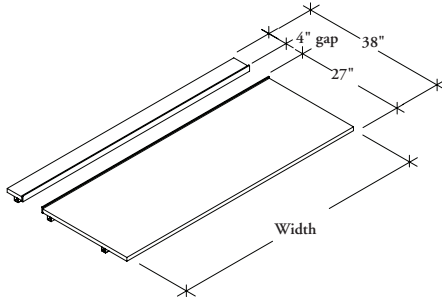


UMWN

Worksurface – Single-Sided – End



Worksurface – Single-Sided – End are specified next to a single end gable at the end or beginning of a single run and are available with or without a gap to access the Truss.

WHAT'S INCLUDED

1 worksurface, support bars, grommet and P/C box cut-outs (if specified) and are handed.

NOTES

This worksurface is also available without the gap at 38" deep.

Handedness is determined by the location of the End Gable (UMCE).

PRODUCT OPTIONS

Depth	Width	Grommet Location	Recessed PC Box Cut Out	Orientation	Worksurface Finish	Edge Trim Style	Edge Trim Finish (If Applicable)
27, 38	60, 72	N No Grommet L Left Side C Centered R Right Side D Double	NN No Cut Out LR Right Side LL Left Side LC Centered	L Left Handed R Right Handed	Foundation Laminate Seamless Color (Group 1) Flintwood Natural Veneer	8 Flat (with Laminate) 9 Flat (with Flintwood & Natural Veneer) G Flat (with Seamless) H Full Knife (with all but Seamless) X Full Knife (with Seamless) E Eased (with Seamless)	Edge Trim Colors Flintwood Stains

SAMPLE ORDER CODE

UMWN 27	60	N	NN	L	LW	8	ST
----------------	-----------	----------	-----------	----------	-----------	----------	-----------

DIMENSIONS

INCHES / MM

PRICING

D	W	FOUNDATION LAMINATE		SEAMLESS COLOR	FLINTWOOD		NATURAL VENEER	
		Flat Edge	Full Knife Edge		Flat Edge	Full Knife Edge	Flat Edge	Full Knife Edge
27 / 686	60 / 1524	1135	1419	1164	1791	1924	1850	1941
27 / 686	72 / 1829	1164	1456	1225	1941	2015	1984	2030
38 / 965	60 / 1524	1034	1294	1086	1716	1730	1744	1744
38 / 965	72 / 1829	1046	1308	1100	1810	1939	1877	1951

If Grommet is specified, add 63 per grommet

If Recessed P/C Box Cut Out is specified, add 37