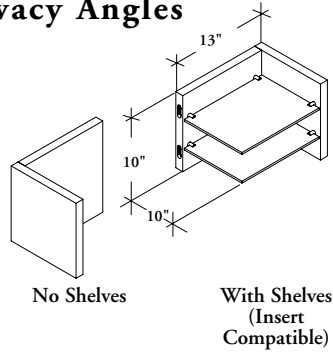


## UMSP Privacy Angles



Privacy Angles provide territorial space division and help manage paper and other workstation peripherals.

### WHAT'S INCLUDED

2 privacy angles, 4 shelves, if specified, attachment hardware.

70

### PRODUCT OPTIONS

Style	Insert Compatibility	Finish
1 No Shelves	1 Insert Compatible	Seamless Color
2 With Shelves	2 Not Compatible	Flintwood
		Natural Veneer

### SAMPLE ORDER CODE

UMSP 2	2	FC
--------	---	----

### STYLE

### PRICING

	SEAMLESS COLOR	FLINTWOOD	NATURAL VENEER
	<b>Insert Compatible (1)</b>		
1	506	910	918
2	695	1139	1150
	<b>Not Compatible (2)</b>		
1	481	866	874
2	684	1115	1127