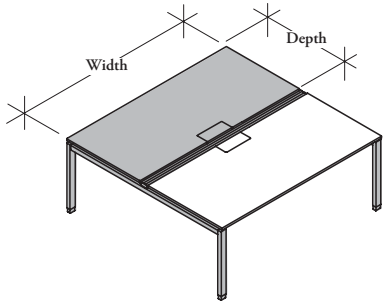


WWWRP

Power Cut Out Worksurface



The Power Cut Out Worksurface includes a rectangular cut out to allow for the Power Access Door (WWEDR) to be added for access to power & data.

WHAT'S INCLUDED

1 worksurface with 12" by 5" cut out at the center of the worksurfaces back edge.

NOTES

Does **not** come with the Power Access Door (WWEDR) (must be specified separately).

Wires can be managed along the entire back edge of the worksurface via a 3/8" wire gap.

Actual depth dimensions are different depending on whether worksurface is being used on a Single-Sided vs Double-Sided Bench. They are **not** interchangeable.

PRODUCT OPTIONS

Style	Depth	Width (6" increments)	Worksurface Finish	Edge Trim Style	Edge Trim Finish
D For Double-Sided Frame	24, 30, 36	48 - 96	Source Laminate Foundation Laminate Flintwood	6 Straight (with Source Laminate)	Edge Trim Colors
S For Single-Sided Frame				8 Flat (with Foundation Laminate)	
	9 Flat (with Flintwood)				
	H Full Knife (with Foundation Laminate & Flintwood)				

SAMPLE ORDER CODE

WWWRP D	24	48	LW	8	ST
----------------	-----------	-----------	-----------	----------	-----------

DIMENSIONS INCHES / MM

D	W
24 / 610	48 / 1219
24 / 610	54 / 1372
24 / 610	60 / 1524
24 / 610	66 / 1676
24 / 610	72 / 1829
24 / 610	78 / 1981
24 / 610	84 / 2134
24 / 610	90 / 2286
24 / 610	96 / 2438

PRICING

DOUBLE-SIDED & SINGLE-SIDED					
Straight Edge	FOUNDATION LAMINATE		FLINTWOOD		Full Knife Edge
	Flat Edge	Full Knife Edge	Flat Edge	Full Knife Edge	
479	531	668	1286	1467	
566	681	867	1365	1554	
645	691	884	1469	1669	
654	703	900	1547	1757	
665	711	914	1629	1843	
673	776	989	1749	1989	
686	791	1035	1832	2074	
698	800	1051	1912	2162	
708	811	1065	2035	2306	

Pricing is continued on the following page.

W W W R P
Power Cut Out Worksurface
(Continued)

DIMENSIONS
INCHES / MM

PRICING

		DOUBLE-SIDED & SINGLE-SIDED				
		SOURCE LAMINATE	FOUNDATION LAMINATE		FLINTWOOD	
D	W	Straight Edge	Flat Edge	Full Knife Edge	Flat Edge	Full Knife Edge
30 / 762	48 / 1219	550	577	724	1423	1626
30 / 762	54 / 1372	587	702	892	1513	1724
30 / 762	60 / 1524	679	712	911	1601	1820
30 / 762	66 / 1676	688	725	929	1734	1977
30 / 762	72 / 1829	702	737	944	1821	2074
30 / 762	78 / 1981	855	1088	1421	1955	2230
30 / 762	84 / 2134	867	1101	1440	2044	2328
30 / 762	90 / 2286	879	1112	1456	2133	2424
30 / 762	96 / 2438	890	1124	1473	2221	2523
36 / 914	48 / 1219	658	763	988	1539	1756
36 / 914	54 / 1372	825	1059	1377	1682	1922
36 / 914	60 / 1524	970	1073	1395	1779	2030
36 / 914	66 / 1676	984	1087	1415	1920	2197
36 / 914	72 / 1829	999	1101	1435	2018	2305
36 / 914	78 / 1981	1012	1228	1632	2116	2415
36 / 914	84 / 2134	1027	1241	1651	2278	2609
36 / 914	90 / 2286	1039	1256	1670	2376	2718
36 / 914	96 / 2438	1054	1269	1690	2475	2826