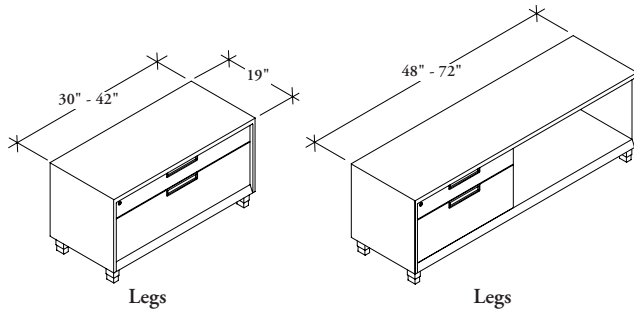


storage & accessories

WWGA

High Closed Credenza



The High Closed Credenza is a freestanding storage unit that has been configured and sized to work optimally within the Interpret system.

WHAT'S INCLUDED

1 credenza, 4 legs, casters or 1 plinth skirt (as specified), 2 drawers with handles, locks & keys, counterweight (if specified), 2 file bars.

NOTES

Widths 30" - 42" consist of 1 small box and a filing drawer.

Widths 48" - 72" consist of 1 open section with an adjustable shelf and another section with a small box and file drawer.

Casters are available only up to 36" wide.

High Closed Credenza is 22.5" high.

If Width 30", 36" and 42" or casters are specified, Counterweight is mandatory.

Ensure product is leveled. If front/door alignment is needed, it can be done by either releasing the front mounting screws, adjusting the front/door and tightening the screws, or by using hinge adjustments to ensure an equal gap.

PRODUCT OPTIONS

Depth	Width	Open Side Compartment	Bottom Modifier Style	Case Finish	Secondary Color
19	30, 36, 42, 48, 54, 60, 66, 72	L Left R Right N Not Applicable	C Casters L Legs (Shown) P Plinth Skirt	Foundation Mica Accent	Foundation Mica Accent

SAMPLE ORDER CODE

WWGA 19	72	R	P	79	83
---------	----	---	---	----	----

PRODUCT OPTIONS CONTINUED

Front Finish	Interior Liner Finish	Handle Finish	Bottom Modifier Finish	Key Option	Counterweight
CC Match Case	C Match Case	C All Match Case	C Match Case	K Key Alike	1 Yes
SS Match Secondary Color	S Match Secondary Color	S Match Secondary Color	S Match Secondary Color	R Key Random	2 No
Source Laminate Flintwood	N Not Applicable	E Exterior Match Case, Interior Match Secondary Color I Interior Match Case, Exterior Match Secondary Color	N Not Applicable		

SAMPLE ORDER CODE

VZ	C	S	C	R	1
----	---	---	---	---	---

See pricing on following page.

W W G A
High Closed Credenza (Continued)

DIMENSIONS
INCHES / MM

PRICING

D	W	Foundation Case, Metal Front	Foundation Case, SL Front	Foundation Case, Flintwood Front	Mica/Accent Case, Metal Front	Mica/Accent Case, SL Front	Mica/Accent Case, Flintwood Front
19 / 483	30 / 762	1894	2378	2540	1951	2435	2597
19 / 483	36 / 914	2021	2540	2710	2082	2602	2771
19 / 483	42 / 1067	2133	2671	2854	2198	2736	2919
19 / 483	48 / 1219	2248	2811	3000	2314	2877	3066
19 / 483	54 / 1372	2364	2951	3146	2433	3019	3214
19 / 483	60 / 1524	2477	3087	3290	2551	3161	3364
19 / 483	66 / 1676	2593	3225	3438	2669	3301	3515
19 / 483	72 / 1829	2706	3362	3583	2787	3443	3664

If Counterweight is specified on sizes 30" - 42" wide and 72" wide, add 356

If Counterweight is specified on sizes 48" - 66" wide, add 224