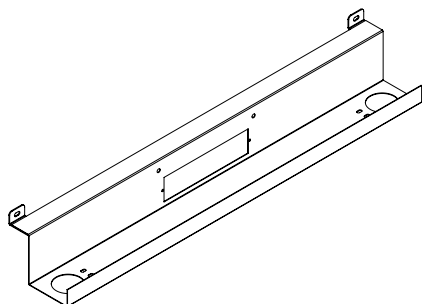


M W W E P N

International Power Tray



The International Power Tray mounts to the accessory beam below the frame to accept international electrics and for wire and cable management.

WHAT'S INCLUDED

1 nominally sized international power tray.

NOTES

Mounts to the accessory beam below the frame to accept international electrics.

Tray is complete with holes which will allow for the mounting of Netbox M 4 Gan power Bars.

Available in widths from 100cm - 240cm to align with worksurface widths, however sizes are nominal.

Both electrical cables and data cables mount outside of the power tray, they are not shielded as per International electrical standards.

For 120° Bench use Type Intermediate (I) option.

PRODUCT OPTIONS

Style	Worksurface Width		Type	Configuration	Finish
D For Double-Sided Bench	10 100cm	18 180cm	R End Right	1 Zone 1 Electrics Configuration	Foundation
S For Single-Sided Bench	12 120cm	20 200cm	L End Left	2 Zone 2 Electrics Configuration	Mica
	14 140cm	24 240cm	I Intermediate	3 Zone 3 Electrics Configuration	Accent
	16 160cm		C Independent		European Accent (Zone 2)

SAMPLE ORDER CODE

MWWEPN D	18	R	3	74
-----------------	-----------	----------	----------	-----------

DIMENSIONS CODE / CM

Worksurface Width
10 / 100
12 / 120
14 / 140
16 / 160
18 / 180
20 / 200
24 / 240

PRICING

SINGLE-SIDED (S)

Foundation	Mica/Accent/ Euro Accent
111	115
117	120
131	137
147	150
175	181
191	197
209	215

DOUBLE-SIDED (D)

Foundation	Mica/Accent/ Euro Accent
122	126
128	132
145	149
161	166
193	199
209	215
230	237