

standard storage

STANDARD STORAGE BASICS95

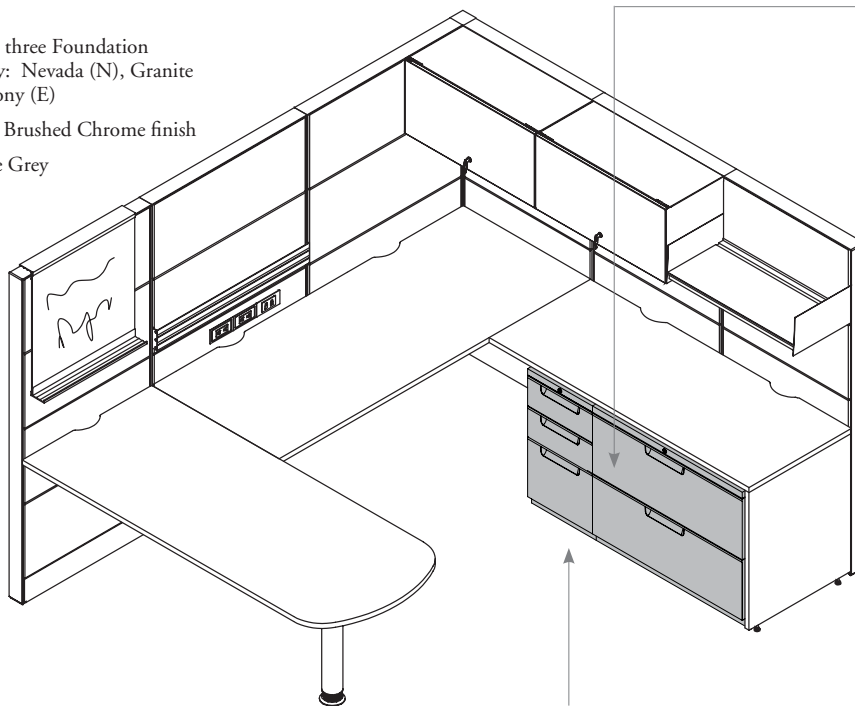
standard storage basics

Standard Storage products provide filing and miscellaneous storage beneath the worksurface is an economical alternative to more extensive storage offerings.

- Adjacent drawers align for clean, continual lines. All datum lines are consistent
- All Pedestals are dimensioned to fit beneath the worksurface for filing of documents and small objects. It can be placed anywhere below the worksurface, and is not dependent on panel widths for placement
- Box drawers extend 16" and file drawers extend 19"
- The Integral Pull allows for easy extension of the drawer
- Can be keyed alike or keyed randomly for a dedicated lock
- Pedestals and Stretch Pedestals
 - Counterweights are required if they are not located under a worksurface
 - If counterweights are specified for the 30" and 36" wide Stretch Pedestals, two counterweights will be installed and three counterweights for the 42" wide Stretch Pedestals will be installed
- Mobile Pedestals are available with two balance options
 - Four casters and a counterweight
 - Five casters with no counterweight
- Pedestal accessories (LPA) and Stretch Pedestal Accessories (LFA) are available and must be ordered separately

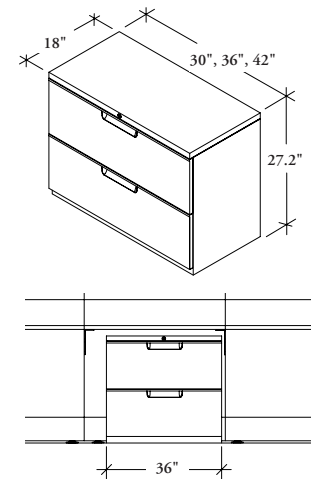
Finishes

- Available in three Foundation finishes only: Nevada (N), Granite (J), and Ebony (E)
- Keys have a Brushed Chrome finish
- Interiors are Grey

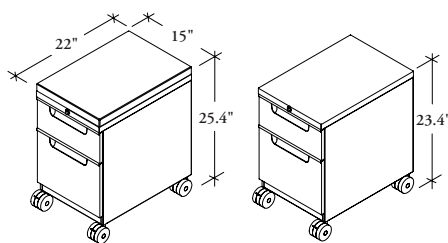


Stretch Pedestal

- All drawers fully extend
- Can accommodate imperial and metric size documents
- The width of the Stretch Pedestal should be less than the dimension between worksurface supports of the worksurface it is below

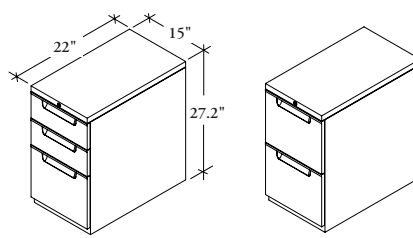


Example of five caster application.



With Seat
Box, File

Without Seat
Box, File



Box, Box, File

Large File, File

Mobile Pedestals (LCMS)

- Available in Box, File configuration
- Available with or without a seat

Pedestals (LCD)

- Available in two drawer configurations: Box, Box, File and Large File, File drawers
- Can accommodate letter size documents
- All drawers fully extend with box drawers extending 16" and file drawers extending 19"

