

Storage Lockers

Storage Lockers provide a flexible solution for combining filing and coat storage.

WHAT'S INCLUDED

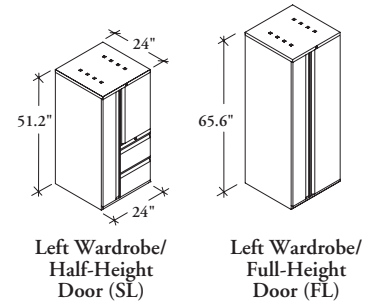
1 cabinet case, doors and drawers, as specified, adjustable coat rod, adjustable shelf, 12" drawer – A4/letter conversion rails, hanging file bar, lock and keys.

NOTES

The handed side is determined by the location of the wardrobe.

Not all configurations are available as Xpress. Please see Xpress catalogue and/or specification software for details.

Full-Height Doors (FL and FR) still come with two or three file drawers (depending on height). Drawers are located in the interior of the cabinet.



PRODUCT OPTIONS

Drawer Combination	Depth	Wardrobe Location	Front Finish Style	Pull Style	Case & Metal Front Finish	Non-Metal Front Finish	Handle Finish	Key Style
42 File, File (51.2")	24	SL Left Wardrobe/ Half-Height Door	D0 Seamless	A Full Pull (metal front)	Foundation	Seamless Colors	7 Platinum	K Keyed Alike
52 File, File, File (65.6")		SR Right Wardrobe/ Half-Height Door	D1 Metal	B Rectangular Handle Pull	Mica	Flintwood	P Espresso	R Keyed Randomly
		FL Left Wardrobe/ Full-Height Door	D3 Standard Flintwood Front	D District Handle Pull (non-metal)	Accent		Q Storm White	L Individually Locked
		FR Right Wardrobe/ Full-Height Door					E Ebony	
							C Latte	

SAMPLE ORDER CODE

LSL 42	24	SL	D1	A	74		7	R
--------	----	----	----	---	----	--	---	---

DIMENSIONS INCHES / MM

H	D
51.2 / 1300	24 / 610
65.6 / 1666	24 / 610

PRICING

METAL FRONT		SEAMLESS FRONT		FLINTWOOD FRONT	
Foundation	Mica/Accent	Foundation	Mica/Accent	Foundation	Mica/Accent
FILE, FILE Xpress		FILE, FILE		FILE, FILE	
2926	3050	3983	4119	5036	5173
FILE, FILE, FILE Xpress		FILE, FILE, FILE		FILE, FILE, FILE	
3098	3226	4404	4540	5256	5391

If Rectangular Handle Pull (B) is specified on a Metal Front (D1), add 28 per handle

If Individual Locks (L) are specified, add 166 for two file drawer units
add 330 for three file drawer units