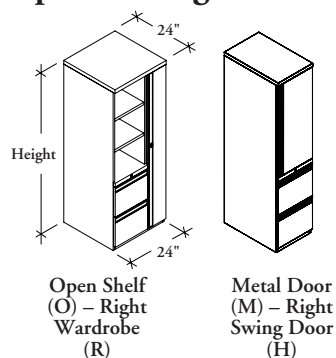


# ledger – storage lockers

**Xpress**

## LSLF

### Open Storage Lockers – Front



The Front Opening Storage Locker provides a flexible solution for combining filing and coat storage.

#### WHAT'S INCLUDED

1 cabinet case, doors and drawers, as specified, adjustable coat rod (if wardrobe selected), adjustable shelf, 12" drawer – A4/letter conversion rails, hanging file bar, lock and keys.

#### NOTES

24" width unit with Metal, Whiteboard, or Flintwood front style (and no wardrobe option) will have two hinged doors.

The handedness is determined by the location of the wardrobe for the 24" wide locker. Wardrobe option (L) or (R) must be selected.

Wardrobe Location option (G) and (H) are not available on 15" wide and when Top Front Style (O) is specified; Wardrobe Location (N) must be selected.

Not all configurations are available as Xpress. Please see Xpress catalogue and/or specification software for details. The 15" width is not available in Xpress.

Individual lock is only available for file drawers.

If width 15" is selected, Counterweight is included.

#### PRODUCT OPTIONS

Height	Width	Bottom Drawer Combination	Top Front Style	Wardrobe Location	Pull Style
40 Four-High (49.6")	15, 24	1212 File, File (shown)	M Metal	L Left Wardrobe	A Full Pull (metal front)
45 Four-High (51.2")		6612 Box, Box, File	D Flintwood	R Right Wardrobe	B Rectangular Handle Pull
50 Five-High (65.6")				O Open Shelf	G No Wardrobe, Left Door Swing H No Wardrobe, Right Door Swing N Not Applicable

#### SAMPLE ORDER CODE

LSLF 50	24	6612	O	L	B
---------	----	------	---	---	---

#### PRODUCT OPTIONS (CONTINUED)

Case & Metal Front Finish	Flintwood Front Finish	Handle Finish	Key Style	Counterweight
Foundation	Flintwood	Foundation	K Keyed Alike	No Counterweight
Mica		Mica	R Keyed Randomly	W2 With Counterweight
Accent			L Individually Locked	

#### SAMPLE ORDER CODE (CONTINUED)

74		7	R	W2
----	--	---	---	----

Pricing is continued on the following page.

### Open Storage Lockers – Front (Continued)

**DIMENSIONS  
INCHES / MM**

H	D
49.6 / 1260	15 / 381
49.6 / 1260	24 / 610
51.2 / 1300	15 / 381
51.2 / 1300	24 / 610
65.6 / 1666	15 / 381
65.6 / 1666	24 / 610

H	D
49.6 / 1260	15 / 381
49.6 / 1260	24 / 610
51.2 / 1300	15 / 381
51.2 / 1300	24 / 610
65.6 / 1666	15 / 381
65.6 / 1666	24 / 610

49.6 / 1260	15 / 381
49.6 / 1260	24 / 610
51.2 / 1300	15 / 381
51.2 / 1300	24 / 610
65.6 / 1666	15 / 381
65.6 / 1666	24 / 610

**PRICING**

<b>METAL FRONT (M)</b>					
FILE/FILE (1212)			BOX/BOX/FILE (6612)		
Foundation	Mica/Accent		Foundation	Mica/Accent	
1939	2038		1988	2089	
2767	2912		2840	2984	Xpress
1939	2038		1988	2089	
2767	2912		2840	2984	Xpress
2038	2141		2089	2189	
2912	3056		2984	3128	Xpress

<b>FLINTWOOD DOOR (D) (PRICE INCLUDES RECTANGULAR PULL UPCHARGE)</b>					
FILE/FILE (1212)			BOX/BOX/FILE (6612)		
Foundation	Mica/Accent		Foundation	Mica/Accent	
3020	3131		3075	3188	
4314	4473		4395	4551	Xpress
3020	3131		3075	3188	
4314	4473		4395	4551	Xpress
3131	3241		3188	3301	
4473	4632		4551	4714	Xpress

<b>OPEN SHELF (O)</b>					
FILE/FILE (1212)			BOX/BOX/FILE (6612)		
Foundation	Mica/Accent		Foundation	Mica/Accent	
1862	1964		1915	2013	
2660	2803		2732	2877	Xpress
1862	1964		1915	2013	
2660	2803		2732	2877	Xpress
1964	2066		2013	2114	
2803	2948		2877	3020	Xpress

If Rectangular Handle Pull (B) is specified on a Metal Front (M), add 28 per handle

If Individual Locks (L) are specified, add 286

If width 15" is selected, counterweight is included

If Counterweight is selected, add 84