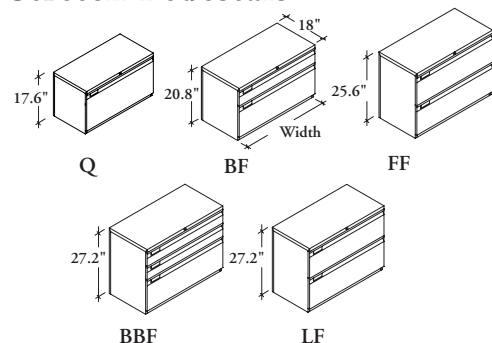


# ledger – pedestals

**Xpress**

**L P S**

## Stretch Pedestals



Stretch Pedestals provide filing storage in freestanding and workstation applications in heights to match pedestals.

### WHAT'S INCLUDED

1 stretch pedestal case, drawers, as specified, levelers, counterweights, if specified, 1 set of hanging file bars/per file/large file drawer, lock and keys.

### NOTES

Not all configurations are available as Xpress. Please see Xpress catalogue and/or specification software for details.

### PRODUCT OPTIONS

Drawer Combination	Depth	Width	Front Finish Style	Pull Style	Case & Metal Front Finish	Non-Metal Front Finish	Handle Finish (B & D Pull Style)	Key Style	Counterweight
<b>BF</b> Box, File	18	30, 36, 42	<b>D0</b> Seamless <b>D1</b> Metal <b>D3</b> Standard Flintwood Front	<b>A</b> Full Pull (metal front only) <b>B</b> Rectangular Handle Pull <b>D</b> District Handle Pull	Foundation Mica Accent	Seamless Colors Flintwood	Foundation Mica	<b>K</b> Keyed Alike <b>R</b> Keyed Randomly <b>L</b> Individually Locked	<b>W2</b> Counterweight
<b>FF</b> File, File									
<b>BBF</b> Box, Box, File									
<b>LF</b> Large File, File									
<b>Q</b> Extra Large File									

### SAMPLE ORDER CODE

<b>LPS LF</b>	<b>18</b>	<b>36</b>	<b>D0</b>	<b>D</b>	<b>74</b>	<b>ZA</b>	<b>7</b>	<b>K</b>	<b>W2</b>
---------------	-----------	-----------	-----------	----------	-----------	-----------	----------	----------	-----------

### DIMENSIONS INCHES / MM

D	W
18 / 457	30 / 762
18 / 457	36 / 914
18 / 457	42 / 1067
18 / 457	30 / 762
18 / 457	36 / 914
18 / 457	42 / 1067
18 / 457	30 / 762
18 / 457	36 / 914
18 / 457	42 / 1067
18 / 457	30 / 762
18 / 457	36 / 914
18 / 457	42 / 1067

### PRICING

METAL FRONT		SEAMLESS FRONT		FLINTWOOD FRONT	
Foundation	Mica/Accent	Foundation	Mica/Accent	Foundation	Mica/Accent
<b>BOX, FILE</b> <b>Xpress</b>		<b>BOX, FILE</b>		<b>BOX, FILE</b>	
1010	1172	1377	1540	1305	1505
1087	1263	1506	1682	1397	1613
1164	1351	1589	1774	1490	1721
<b>FILE, FILE</b> <b>Xpress</b>		<b>FILE, FILE</b>		<b>FILE, FILE</b>	
1064	1239	1455	1628	1534	1625
1137	1322	1589	1772	1640	1733
1217	1409	1689	1880	1750	1844
<b>BOX, BOX, FILE</b> <b>Xpress</b>		<b>BOX, BOX, FILE</b>		<b>BOX, BOX, FILE</b>	
1299	1512	1835	2045	1957	2048
1401	1630	1999	2224	2111	2209
1508	1749	2114	2354	2265	2367
<b>LARGE FILE, FILE</b> <b>Xpress</b>		<b>LARGE FILE, FILE</b>		<b>LARGE FILE, FILE</b>	
1086	1258	1471	1647	1561	1651
1159	1345	1608	1797	1666	1761
1235	1435	1706	1906	1778	1878
<b>EXTRA LARGE FILE</b>		<b>EXTRA LARGE FILE</b>		<b>EXTRA LARGE FILE</b>	
935	1084	1268	1419	1319	1452
984	1138	1334	1492	1584	1715
1030	1197	1397	1565	1452	1584

If Rectangular (B) or District Handle Pulls (D) are specified on a Metal Front (D1), add 28 per handle  
 If Individual Lock (L) is specified, add 297  
 If Counterweight (W2) is specified for the width 38", add 169  
 If Counterweight (W2) is specified for the width 42", add 231  
 If Counterweight (W2) is specified for the width 44", add 307