

Z E H S P

Single Tower Hutch – Glass Doors

WHAT'S INCLUDED

1 adjustable shelf per compartment (43" high hutch, non-tower section only),
2 removeable shelves, 1 plastic round grommet, and elements listed below:

	Width			Adjustable Shelf (inside tower)	Height	
	66"	72"	84"		37"	43"
Door	4	5	6			
Compartment (non-tower section only)	2	2	3	3	4	

WHAT'S EXCLUDED

Top for Mounted Storage, Metal Round Grommet and accessories (ZEHA, ZEHB, ZELLY, ZELED and ZELTU).

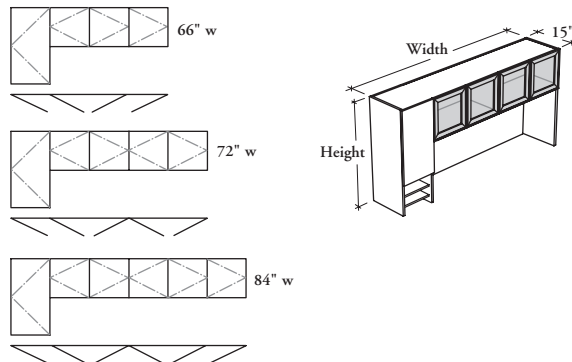
NOTES

All doors are not lockable.

The hutch is installed on a worksurface and must be placed against a wall for increased stability.

Hutch back is finished in Black.

Door Configurations



PRODUCT OPTIONS

Depth	Width	Height	Tower Configuration	Finish	Door Frame Finish	Glass Door Finish
15	66, 72, 84	37, 43	L Left (Shown) R Right	UK, UM, UN Natural Veneer Grade 2 MP, WH, WJ, WS, WW Natural Veneer Grade 3	AC Clear Anodized Foundation Accent Mica	Standard: FT Frosted Back-Painted

SAMPLE ORDER CODE

ZEHSP 15	66	43	L	UN	7	K8
----------	----	----	---	----	---	----

DIMENSIONS (NOMINAL) INCHES / MM

D	W	H
15 / 381	66 / 1676	37 / 940
15 / 381	72 / 1829	37 / 940
15 / 381	84 / 2134	37 / 940
15 / 381	66 / 1676	43 / 1092
15 / 381	72 / 1829	43 / 1092
15 / 381	84 / 2134	43 / 1092

PRICING

4100
4311
5090
4659
4904
6194