

media room[™]

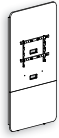
MEDIA ROOM OVERVIEW	126
MEDIA WALL APPLICATION BASICS	
MEDIA WALL & ACCESSORIES	127
MEDIA WALL PENINSULAS	128
MEDIA WALL APPLICATION COMPONENTS	
MEDIA WALL	129
MEDIA WALL PENINSULAS	130
PLANNING WITH MEDIA WALL APPLICATION	
MEDIA WALL APPLICATIONS	131
WIRE MANAGEMENT	132
MEDIA WALL PENINSULAS	
SUPPORT STYLES	133
POWER MODULE CUTOUTS	133
MEDIA WALL & MEDIA WALL PENINSULA APPLICATIONS	134
PLANNING WITH WORKING DATUM HEIGHTS	135
PLANNING WITH TV MONITOR WALL MOUNT FOR MEDIA WALL	136
PLANNING WITH METAL SHELF – MEDIA WALL	137
FREESTANDING GABLE APPLICATION BASICS	
GABLE FOR FIXED PENINSULA, FIXED PENINSULA – D-SHAPE & ACCESSORIES	138
FREESTANDING GABLE APPLICATION COMPONENTS	
GABLE FOR FIXED PENINSULA & FIXED PENINSULA – D-SHAPE	140
PLANNING WITH FREESTANDING GABLE APPLICATION	
FREESTANDING GABLE (G) CONFIGURATION	141
POWER MODULE CUTOUTS – FIXED PENINSULA D-SHAPE	141
WIRE MANAGEMENT	142

media room (continued)

PLANNING WITH TV MONITOR MOUNT – TV STAND	143
TV MONITOR DIMENSIONS RECOMMENDED	144
TV STAND APPLICATION	144
WIRE MANAGEMENT	145
FIXED PENINSULAS FINISHES	
WORKSURFACE FINISHES & EDGE TRIMS CHART	146
USER EDGES	146
GRAIN DIRECTION – MEDIA WALL & GABLE FOR FIXED PENINSULA	147

media room overview

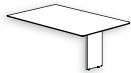
MEDIA WALL APPLICATION



Media Wall
(MXMW)



Metal Shelf
(MXMSW)



Media Wall Peninsula
– Rectangular
(MXMPR)



Media Wall Peninsula
– Tapered
(MXMPT)



Media Wall Peninsula
– Diamond
(MXMPP)



Media Wall Peninsula
– D-Shape
(MXMPD)

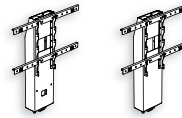
FREESTANDING GABLE APPLICATION



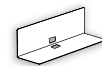
Fixed Peninsula –
D-Shape
(MXMFD)



Gable for Fixed
Peninsula
(MXMGF)



TV Stand
(MXMTV)

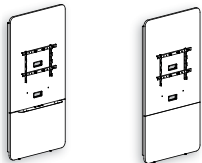


Metal Shelf –
TV Stand
(MXMSTV)

media wall application basics

The Media Wall allows to integrate a TV and to manage cabling in any meeting room. It mounts to existing building walls and, when specified, supports the TV monitor, allows for a worksurface attachment, and consolidates all wiring and electronic devices into one application.

media wall & accessories



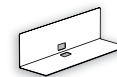
For Peninsula Standalone

Media Wall (MXMW)

- Configurations:
 - For Peninsula (F)
 - Standalone (S)
- Heights: 72" or 81"
- Widths: 42" to 60" (6" increments)
- Working Datum Heights: 29" or 42"
- Corner Details:
 - Radius (R)
 - Straight (S)

Finishes:

Media Wall Panel is available in Source Laminate, Grade 2 Laminate or Flintwood (No Cathedral)



Metal Shelf – Media Wall (MXMSW)

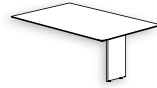
- Depth: 7"
- Widths: 18" to 30" (6" increments)
- Height: 6"

Grain Direction – Media Wall; see page 147

media wall application basics (continued)

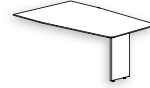
media wall peninsulas

Media Wall Peninsulas are offered in multiple worksurface shapes and come with a standard top



Media Wall Peninsula – Rectangular (MXMPR)

- Worksurface Styles:
 - Flat Edge (1 3/16") (M)
 - Knife Edge (1 3/16") (V)
 - Deep Knife Edge (1 3/16") (W)
- Depths: 42" or 48"
- Widths: 60" to 90" (6" increments)
- Height: 29"
- Corner Details:
 - Radius (R) (If Applicable)
 - Straight (S)
- Ideal for 3 people (60" to 78" w) and 3 to 5 people (84" or 90" w)



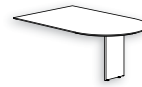
Media Wall Peninsula – Tapered (MXMPT)

- Worksurface Styles:
 - Flat Edge (1 3/16") (M)
 - Deep Knife Edge (1 3/16") (W)
- Depths: 42" to 60" (6" increments)
- Widths: 60" to 90" (6" increments)
- Heights: 29" or 42"
- Ideal for 3 people (60" to 78" w) and 3 to 5 people (84" or 90" w)



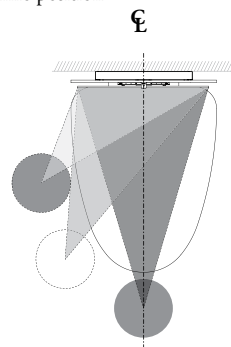
Media Wall Peninsula – Diamond (MXMPP)

- Worksurface Style:
 - Flat Edge (1 3/16") (M)
- Depths: 48" to 60" (6" increments)
- Widths: 60" to 90" (6" increments)
- Heights: 29" or 42"
- Ideal for 3 to 4 people (60" to 78" w) and 3 to 6 people (84" or 90" w)
- This shape is optimized to enhance the TV viewing angle while being seated in ergonomic position



Media Wall Peninsula – D-Shape (MXMPD)

- Worksurface Styles:
 - Flat Edge (1 3/16") (M)
 - Deep Knife Edge (1 3/16") (W)
- Depths: 42" to 60" (6" increments)
- Widths: 60" to 90" (6" increments)
- Heights: 29" or 42"
- Ideal for 3 to 4 people (60" to 78" w) and 3 to 6 people (84" or 90" w)

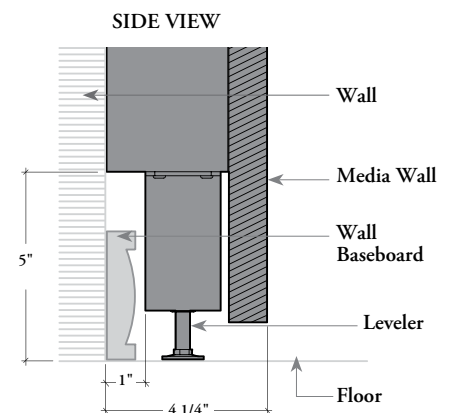
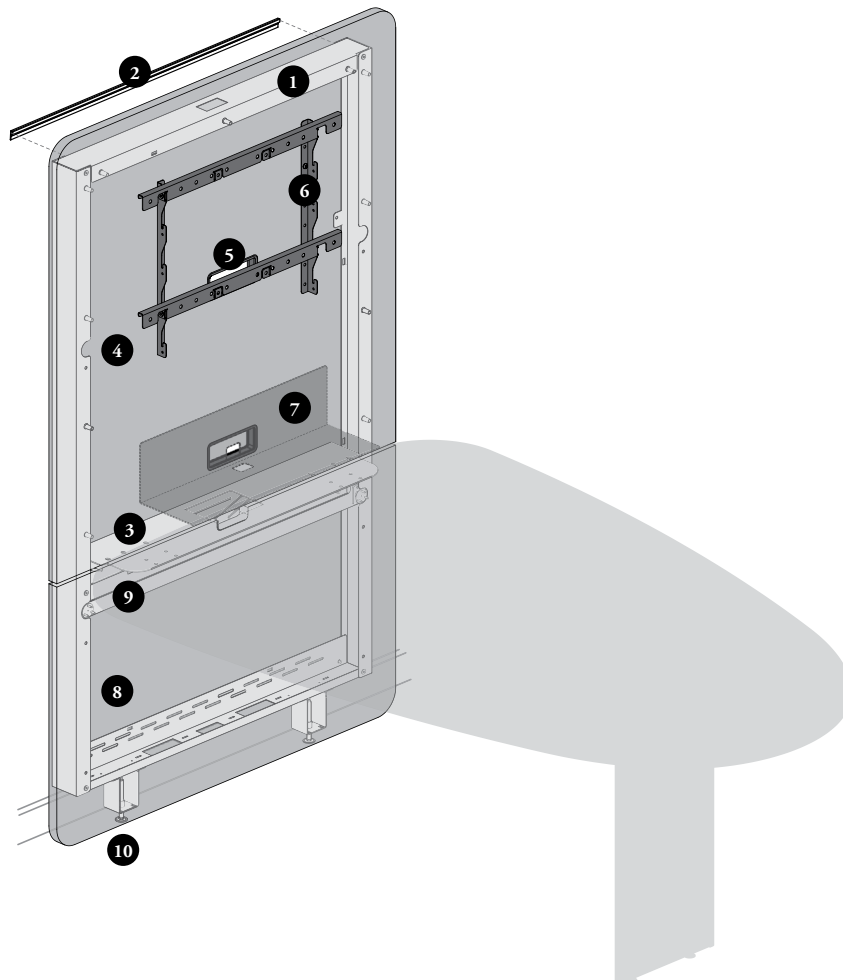


Worksurface Finishes & Edge Trim Chart; see page 146
User Edges Details; see page 146

media wall application components

media wall

- 1 **Frame** is shipped with the necessary 2 **wall rail** for installation
 - Available in Foundation, Mica, Accent and Coordinate Colors
- 3 **Peninsula Mounting Bracket**
 - Only included when For Peninsula (F) option is specified
 - Matche the frame finish
- 4 **Upper Fascia** is fixed and can support a TV Monitor Wall Mount, TV Monitor and Metal Shelf
- 5 **Cable Pass-Through Ring** is included to route wires of the TV Monitor, behind the Media Wall
 - Always grey
- 6 **TV Monitor Wall Mount**
 - Always black
- 7 **Metal Shelf – Media Wall** is specified separately
 - Media Wall comes with two holes for Metal Shelf installation and a cable pass-through, when Metal Shelf Ready (M) option is specified
 - Available in Foundation, Mica and Accent finishes
- 8 **Removable Bottom Fascia** provides access to building power and communication outlets
- 9 **Cable Organizer** routes wires and organizes electronics below worksurface. Data Faceplates can be installed in the organizer and must be specified separately
- 10 **Levelers** are included with frame
 - With an adjustment range of 3" and clear wall molding
 - Always black

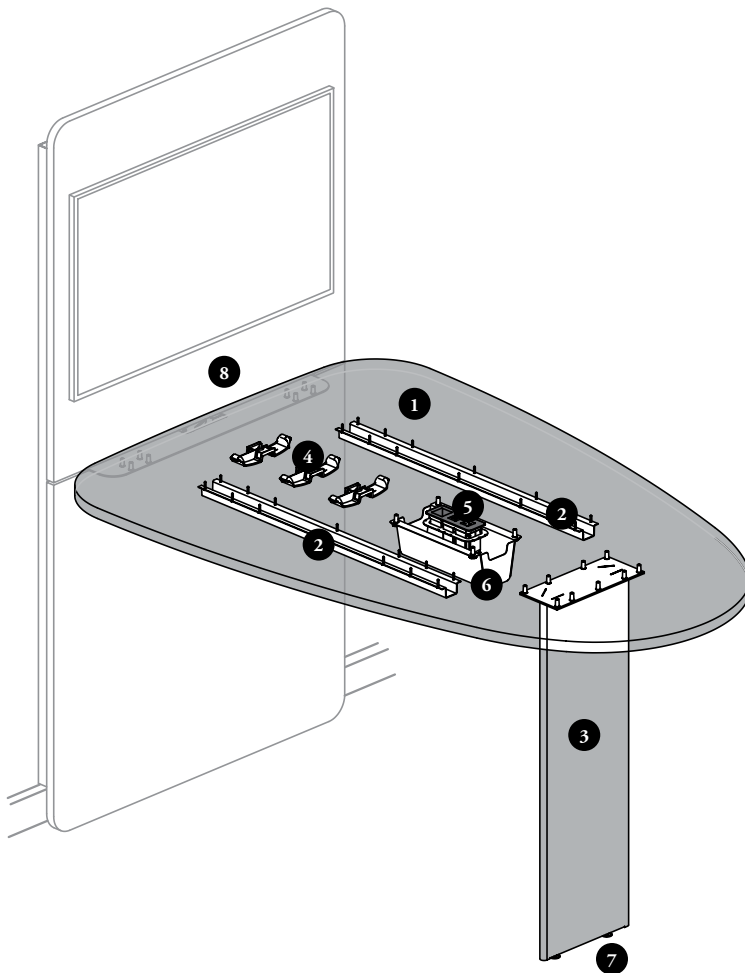


For Coordinate Colors Listing; see page 92

media wall application components (continued)

media wall peninsulas

- 1 **Worksurface** (Rectangular, Tapered, Diamond or D-Shape)
 - Available in Foundation Laminate, Grade 2 Laminate or Flintwood (No Cathedral)
- 2 **Reinforcement Bars**
- 3 **Support(s)**
 - 29" or 42" high (Shown) Bevel Post Leg (L) and Monopod Base (M), 29" high Blade Legs (K)
 - Available in Foundation, Mica and Accent finishes
- 4 **Wire Management Clips**
 - Manage wires below the worksurface
 - Only offered when peninsula is specified with power
 - Always black
- 5 **Flush Power Modules** are not included and must be specified separately
- 6 **Power Modules Cover**
 - Dimension: 7" d X 12 3/16" w
 - Is included with 42" high worksurface when specified with flush power module cutout
 - Cover matches Support Finish
- 7 **Levelers** are included with legs or base:
 - With an adjustment range of 1" (Blade Legs or Bevel Post Leg)
 - With an adjustment range of 1/2" (Monopod Base)
- 8 Media Wall (Not included)



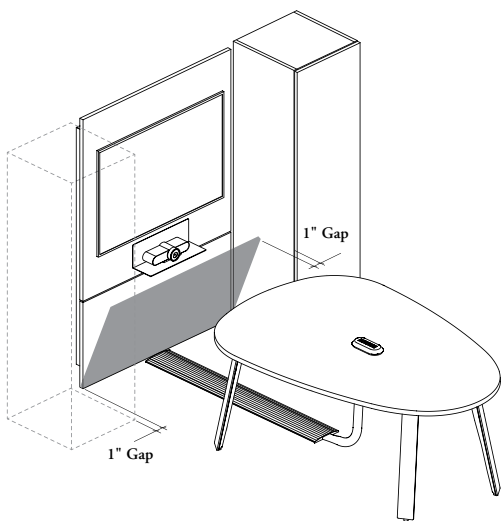
For Datum Heights; see page 135

planning media wall application

The following should be considered when planning with Expansion Meeting Media Wall.

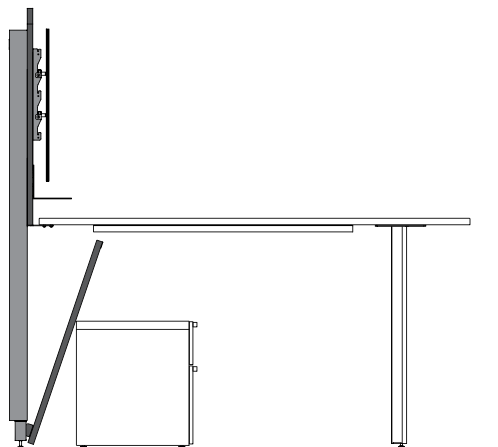
media wall applications

- Media Wall must be anchored to a building wall
- Can be used on all walls with load bearing capacity. Consult your local building code and authority for further guidance
- **Cannot** be used on Altos walls
- The purchaser and installer are responsible to ensure application of appropriate attachment methods and hardware for a secure and safe installation that meets the applicable local building code and laws



Media Wall Clearance on both sides

- A minimum 1" functional clearance must be respected on each side of the Media Wall to allow easy opening and access to the building wall and electrical components



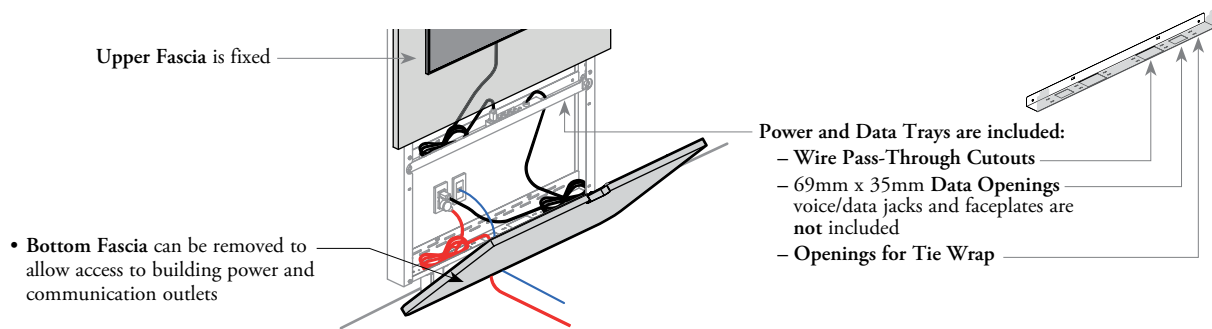
Clearance in front of the Bottom Fascia

- The front of the Bottom Fascia should be clear at all time for electrical accessibility

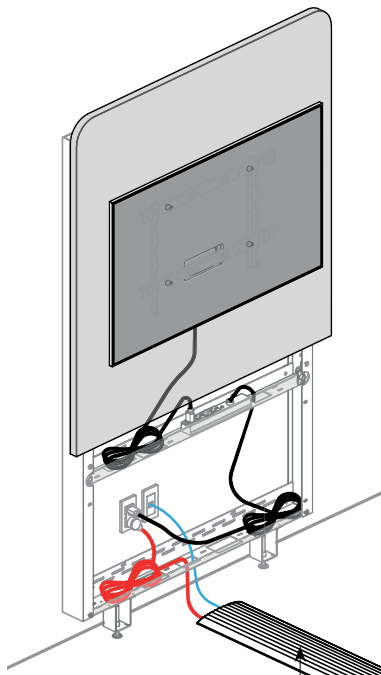
planning media wall application (continued)

wire management – media wall

Position of electrical and communication outlets on the building wall must be taken into account before planning electrics

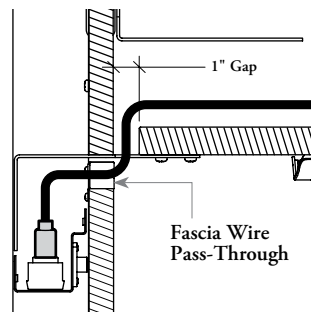
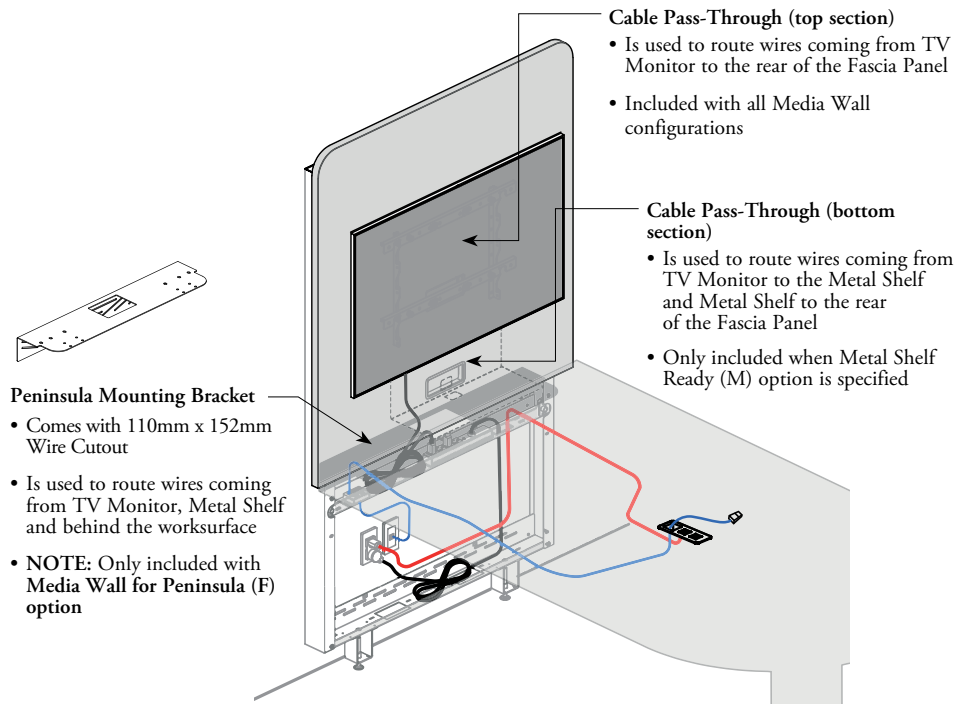


standalone configuration (S)



Floor Cable Cover (MXPMF)
Not included. Must be specified separately. For details, refer to Electrics & Communications section

for peninsula configuration (F)



- 1" gap at the end of the peninsula allows to route cables in the bracket opening and reach the back of the Media Wall through a fascia space gap
- NOTE: The Fascia Wire Pass-Through is only offered when Media Wall for peninsula (F) option is specified

planning media wall application (continued)

media wall peninsula applications

support styles

Supports are included with Media Wall Peninsulas

Media Wall Peninsula	Support						
	Blade Leg (K) 29" h	OR	Bevel Post Leg (L) 29" h 42" h		OR	Monopod Base (M) 29" h 42" h	
Rectangular (MXMPR)	2		1	n/a		1	n/a
Tapered (MXMPT)	n/a		1	1		1	1
Diamond (MXMPP)							
D-Shape (MXMPD)							

power module cutouts

Cutouts for these power solutions can be specified:

Media Wall Peninsula	Electrical Cutout				
	Square – End (SE)		Flush Module – Triple (FT)	Recessed Module – Compact (RC) Standard (RS)	
		OR		OR	
	Power Qube (MXPPC)		Flush Power Module (MXPPF) Triple (AJ)		Recessed Module – Access Door (MXPRD) + Recessed Module – Power Hub (MXPRH)
	Dual (D) Quad (Q)		Rectangular (R) Rectangular with Pass-Through (T)		7" Compact (AA) 12" Standard (AE)
Rectangular					
Tapered	1		1		1
Diamond					
D-Shape					

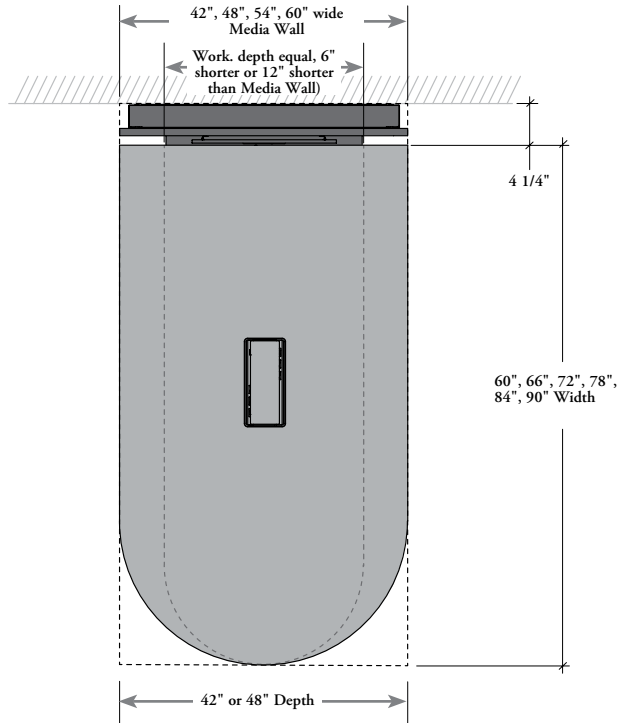
planning media wall application (continued)

media wall & media wall peninsula applications

- - - - = Footprint

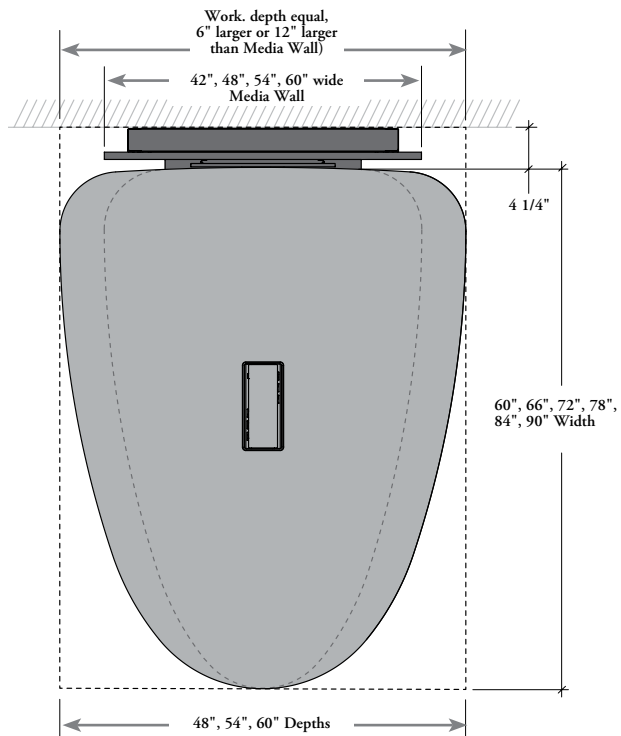
Media Wall Peninsulas – Rectangular (MXMPR), Tapered (MXMPT) or D-Shape (MXMPD)

Worksurface depth can be specified equal, 6" shorter or 12" shorter than the Media Wall width



Media Wall Peninsula – Diamond (MXMPP)

Worksurface depth can be specified equal, 6" larger or 12" larger than the Media Wall width



planning with working datum heights

Working datum height should be specified accordingly to attached Peninsula for Media Wall or Standalone Worksurface height.

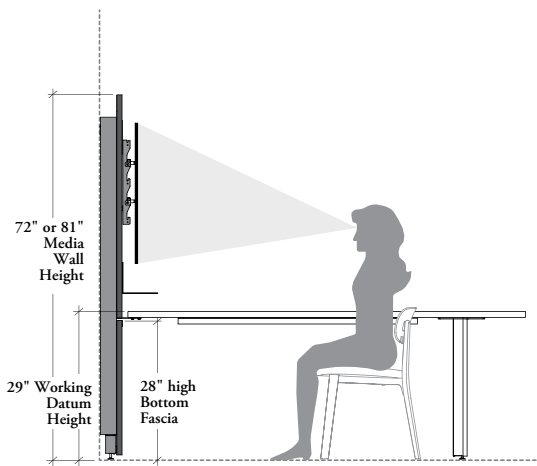
29" working datum height

42" working datum height

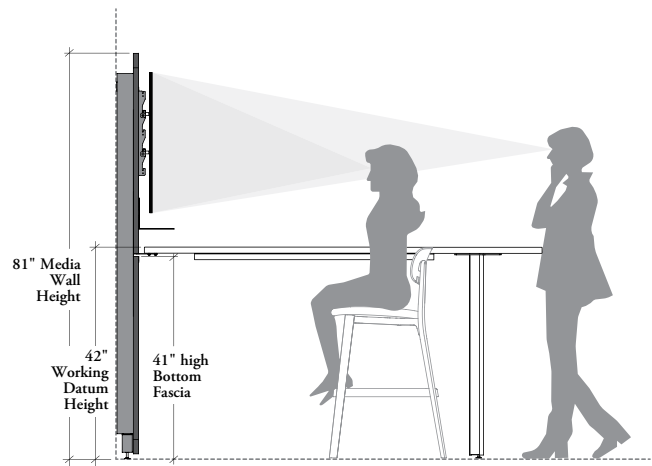
It provides seated and standing height working positions

For peninsula (F) Configuration

The Bottom Fascia height varies with Working Datum configuration



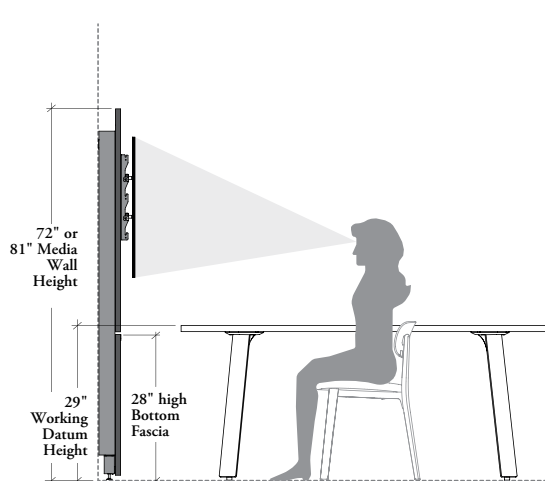
with 29" high Media Wall Peninsula



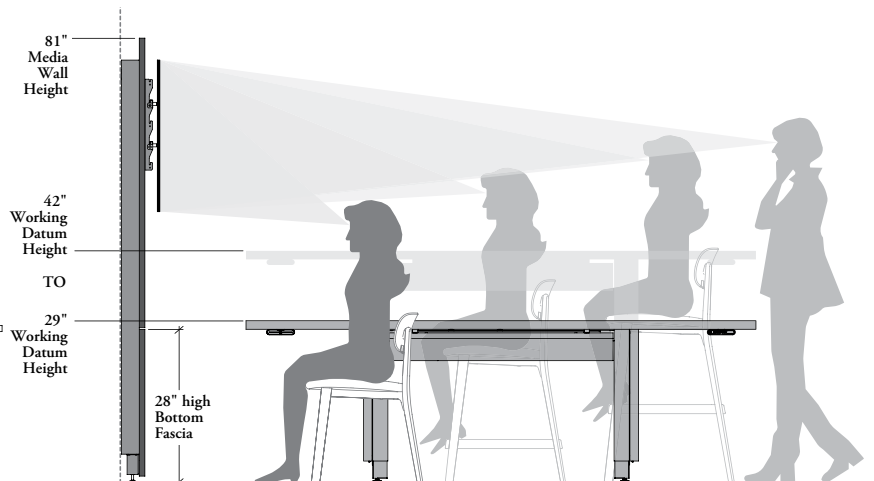
For 42" high Media Wall Peninsula

Standalone (S) Configuration

The Bottom Fascia height does not vary with Working Datum configuration



For 29" high Meeting Table



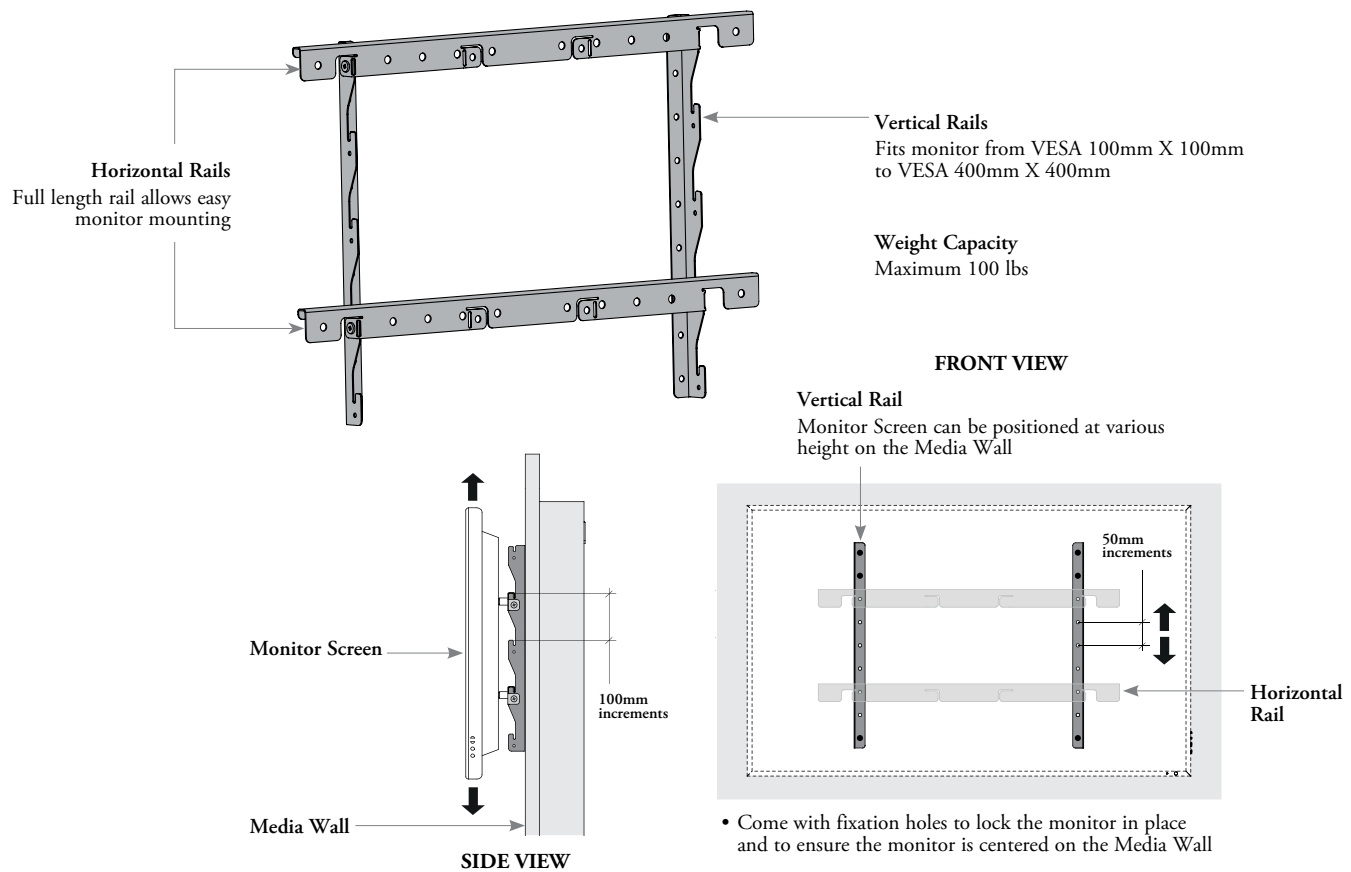
For Height-Adjustable Meeting Table (Shown) or any Fixed-Height 36" or 42" high Meeting Tables

planning with TV monitor wall mount for media wall

The following should be considered when planning with TV Monitor Wall Mount on Media Wall.

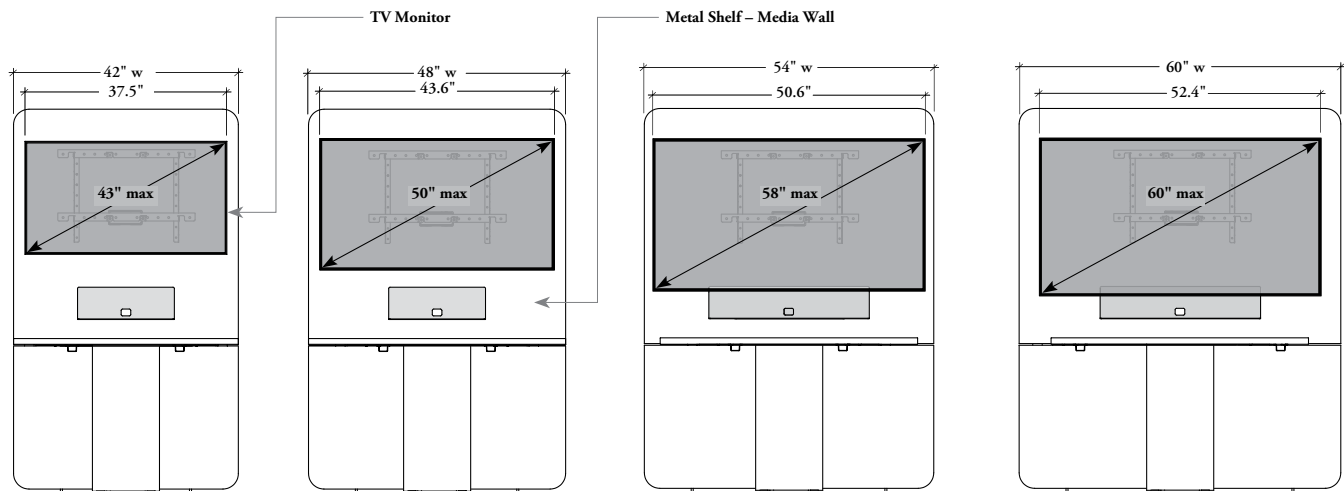
TV Monitor Wall Mount

- Included with the Media Wall (MXMW)
- Meets VESA (Video Electronics Standards Association) standards for easy installation. Monitor **not** included



TV monitor dimensions recommended

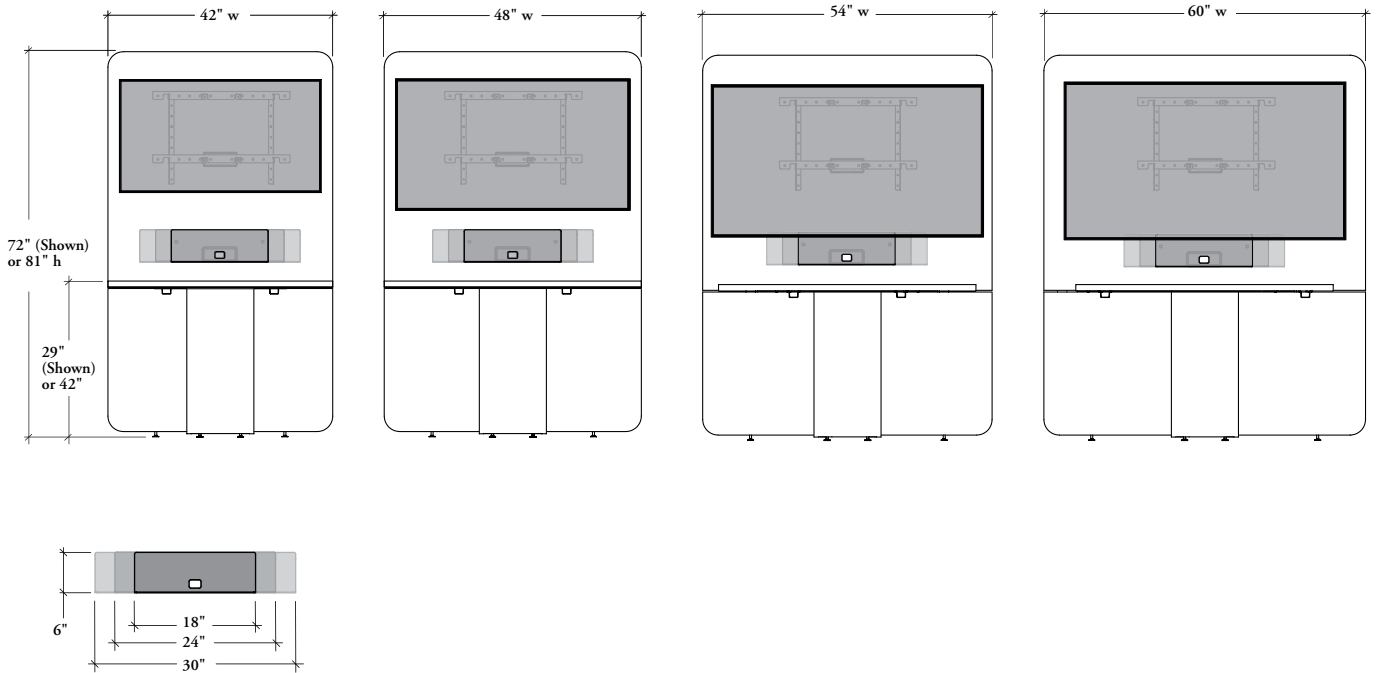
A Metal Shelf – Media Wall (MXMSW) can be used with the TV Monitor



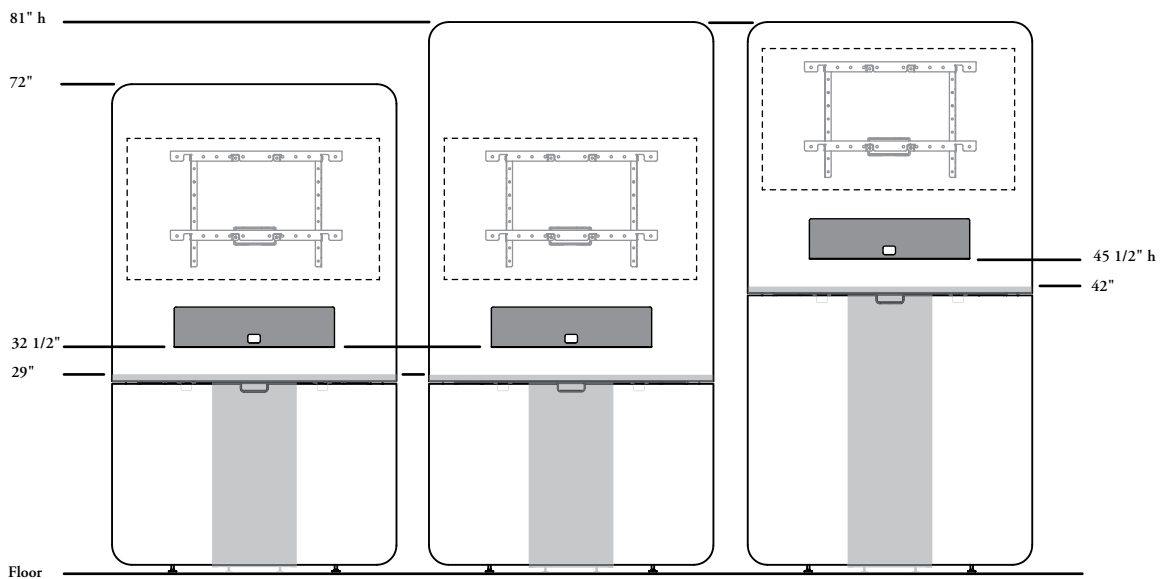
planning with metal shelf – media wall

- Two Shelf Options can be specified with Media Wall:
 - Metal Shelf Ready (M)
 - No Shelf (N)
- The Media Wall must be specified with Metal Shelf Ready (M) option to install a shelf

metal shelf – media wall compatibility



metal shelf – media wall heights



freestanding gable application basics

The Gable for Fixed Peninsula is a cost-effective solution for any meeting room, making it perfect for virtual meetings and presentations. The table provides power and data access for laptops, along with seamless connectivity to the screen.

gable for fixed peninsula & fixed peninsula – d-shape



Fixed Peninsula – D-Shape (MXMFD)

- Worksurface Style:
 - Flat Edge (1 3/16")
- Depths: 36" to 60" (6" increments)
- Widths: 60" to 90" (6" increments)
- Height: 29"
- TV Stand Ready:
 - TV Stand Ready (R)
 - No TV Stand (N)



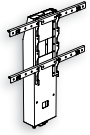
Gable for Fixed Peninsula (MXMGF)

- Worksurface Style:
 - Flat Edge (1 3/16")
- Depths: 36" to 60" (6" increments)
- Working Datum Heights: 29" or 42"
- Cable Pass-Through:
 - Yes (Y)
 - No (N)

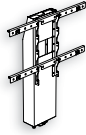
Worksurface Finishes & Edge Trim Chart; see page 146
User Edge Details; see page 146
Grain Direction – Gable for Fixed Peninsula; see page 147

freestanding gable application basics (continued)

accessories



Metal Shelf Ready



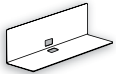
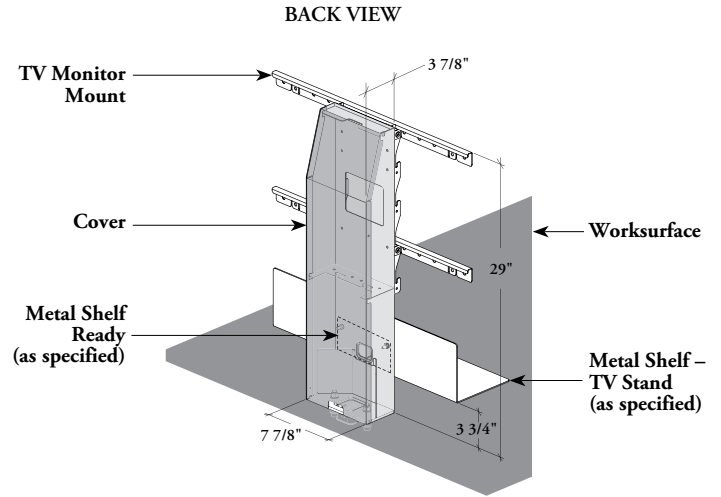
No Shelf

TV Stand (MXMTV)

- Facilitates the mounting of a TV monitor for a digital experience and power routing management.
- Shelf Option:
 - Metal Shelf Ready (M)
 - No Shelf (N)
- Metal Shelf – TV Stand (MXMSTV) is **not** included

Finishes:

Stand: Foundation, Mica or Accent
TV Monitor Mount: Black

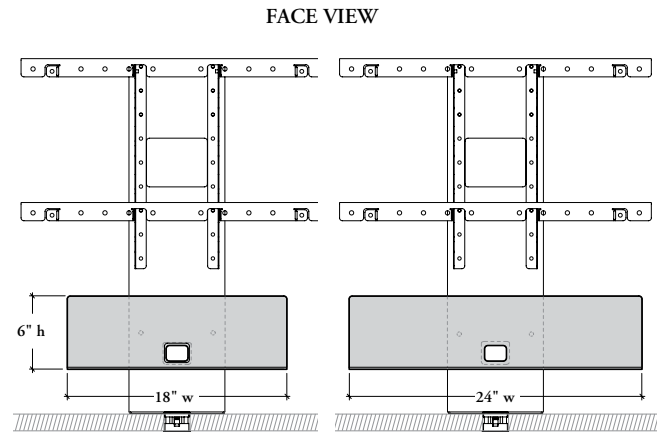


Metal Shelf – TV Stand (MXMSTV)

- Provides storage or display space mounted on a TV Stand (MXMTV)
- Depths: 7"
- Widths: 18" or 24"

Finishes:

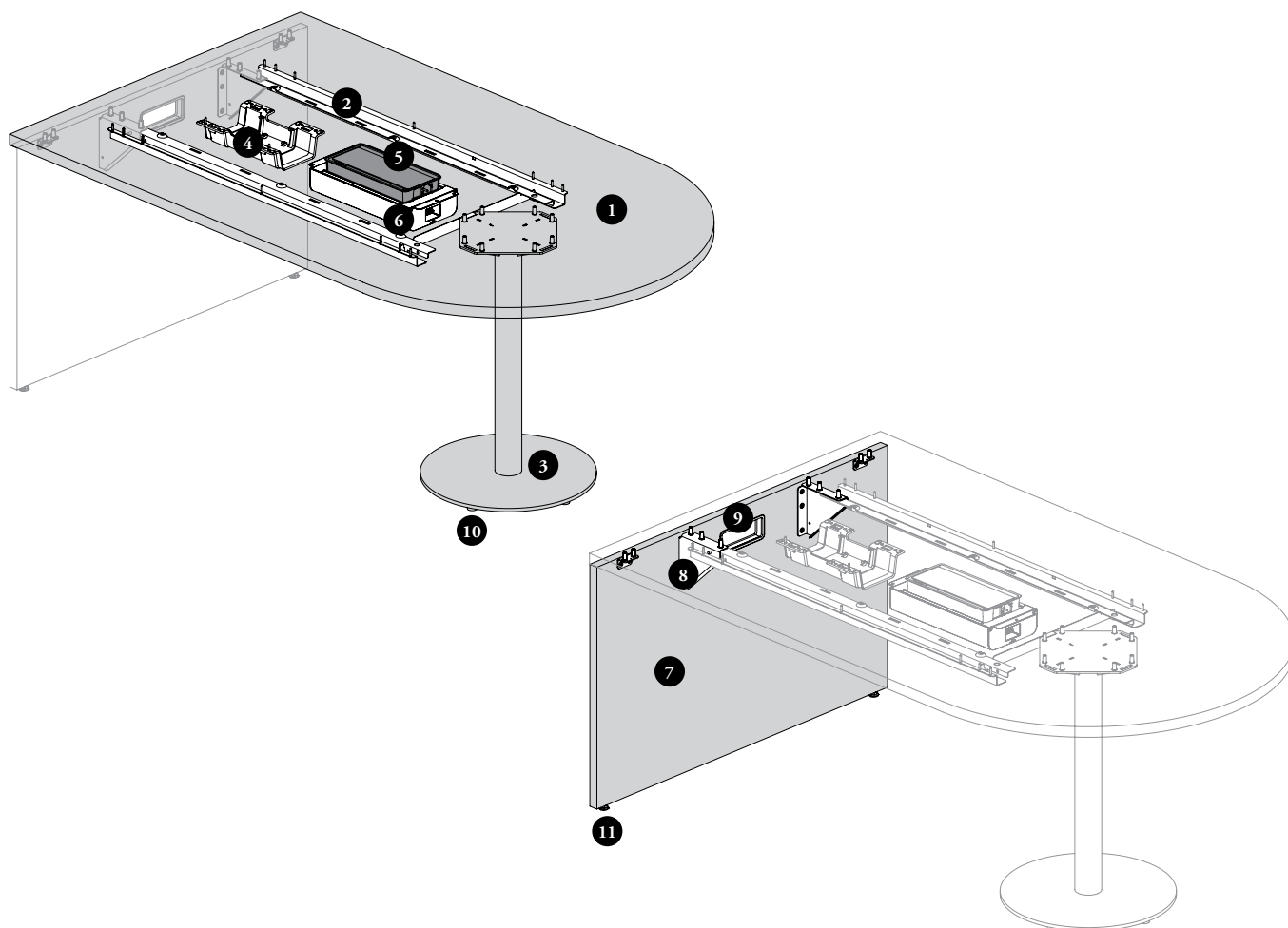
Shelf: Foundation, Mica or Accent



freestanding gable application components

gable for fixed peninsula & fixed peninsula – d shape

- 1 **Fixed Peninsula D-Shape** not included with gable and must be specified separately
- 2 **Reinforcement Bars**
- 3 **29" high Monopod Base**
 - Available in Foundation, Mica and Accent finishes
- 4 **Cable Tray** manage wires below the worksurface
 - Always black
- Recessed Module Cutouts:**
- 5 **Metal Access Doors** and 6 **Power Hubs** are not included and must be specified separately
- 7 **Gable** is 1" thick, available with or without cutout for Cable Pass-Through
 - Available in Source Laminate or Flintwood (No Cathedral)
- 8 **Reinforcing Brackets**
 - Provides easy installation for the reinforcing bar included with worksurface and support peninsula
 - Available in Foundation, Mica, Accent and Coordinate Colors
- 9 **Cable Pass-Through Ring** is included to route wires from building wall to level of the worksurface. Only included when the Yes (Y) Cable Pass-Through option is specified
 - Always Platinum Coordinate
- Levelers** are included with gable and Monopod Base:
 - With an adjustment range of 1/2" (Monopod Base) 10
 - With an adjustment range of 4" (Gable) 11
 - Always black

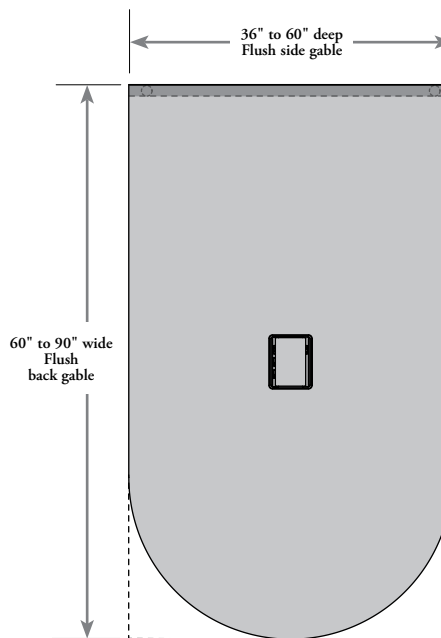


For Coordinate Colors Listing; see page 92

planning with freestanding gable application



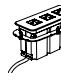

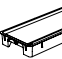
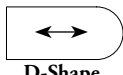
freestanding gable (G) configuration

- Only compatible with a Fixed Peninsula – D-Shape (MXMFD) of the same depth
- No wall anchoring needed



power module cutouts for fixed peninsula – d-shape

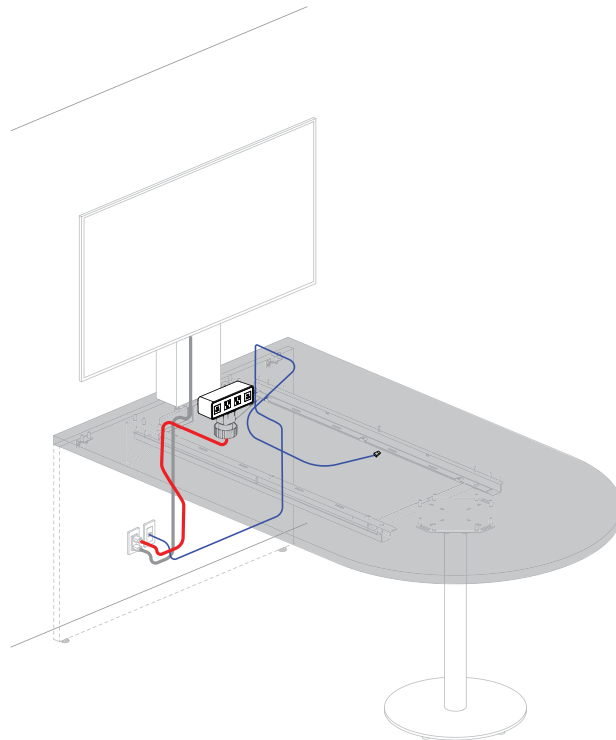
Cutouts for these power solutions can be specified:

	Electrical Cutout			
	Square – End (SE)	Flush Module – Triple (FT)	Recessed Module – Compact (RC) Standard (RS)	
	 OR 	OR  OR 		Recessed Module – Access Door (MXPRD) + Recessed Module – Power Hub (MXPRH)
Fixed Peninsula	Power Qube (MXPPC) Dual (D) Quad (Q)	Flush Power Module (MXPPF) Triple (AJ) Rectangular (R) Rectangular with Pass-Through (T)	7" Compact (AA)	12" Standard (AE)
 D-Shape	1	1	1	1

planning with freestanding gable application (continued)

wire management

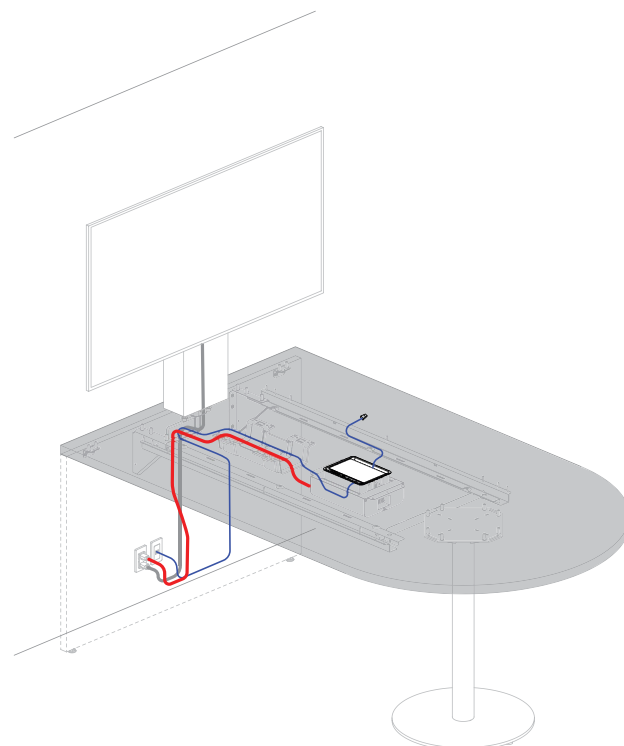
- Power Module and Power Bar **cannot** be daisy chained
- Power and data cord can be routed outside the gable



— Power Cord
— Data Cord

With Square – End (SE) (Shown) or with No Cutout (NN) Power Module Cutout options

- No Wire Management Clips and Power Module Cover included
- Square – End (SE) option allows to install Power Qube (MXPPC)



— Power Cord
— Data Cord

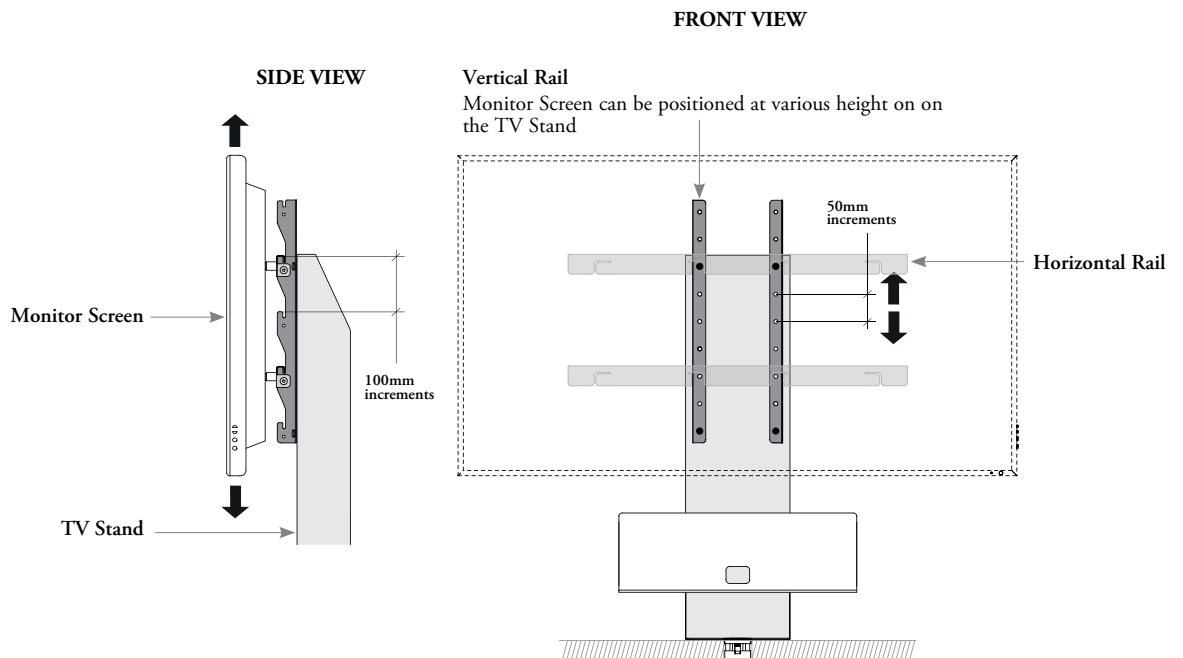
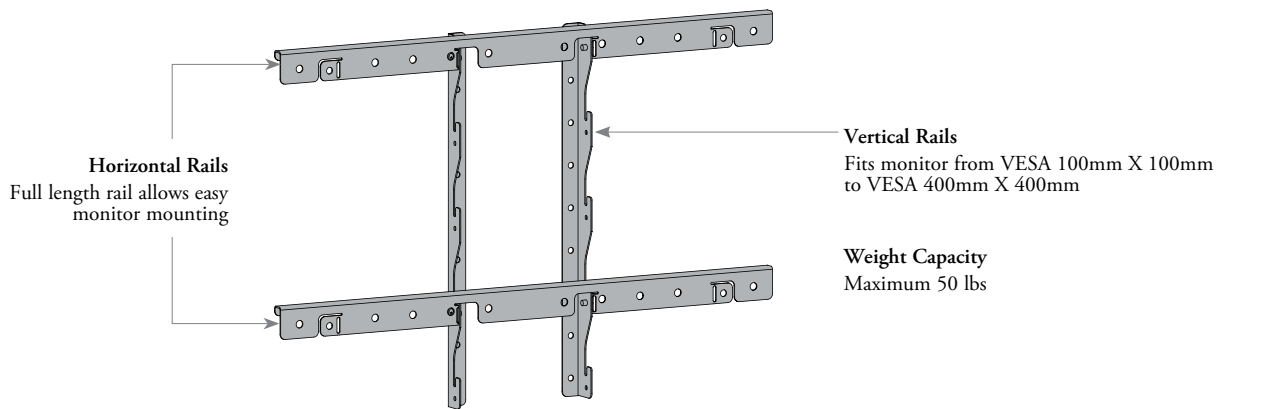
Flush Module – Triple (FT), Recessed Module – Compact (RC) (Shown) or Recessed Module – Standard (RS) Power Module Cutout options

planning with TV monitor mount – TV stand

The following should be considered when planning with TV Monitor Mount.

TV Monitor Mount

- Included with TV Stand (MXMTV)
- Is designed to accommodate a variety of display up to 55" wide. For a better fit, refer to specification software and refer at the monitor mounting pattern documentation
- Meets VESA (Video Electronics Standards Association) standards for easy installation. Monitor **not** included

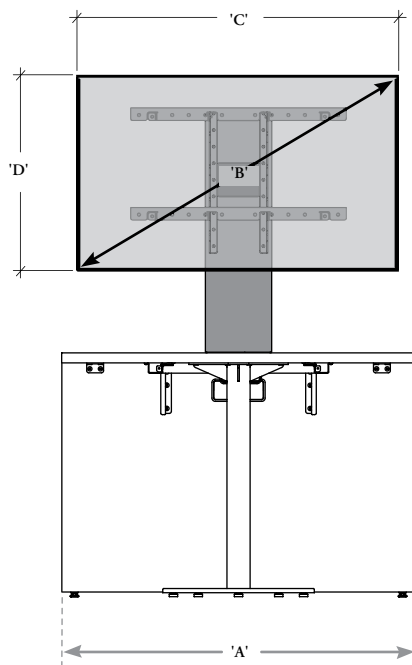


- Comes with fixation holes to lock the monitor in place and to ensure the monitor is centered on the tile

planning with TV monitor mount – TV stand (continued)

TV monitor dimensions recommended

- It is recommended to install a TV Monitor smaller than the surface width
- A Metal Shelf – TV Stand (MXMSTV) can be used with a TV Monitor



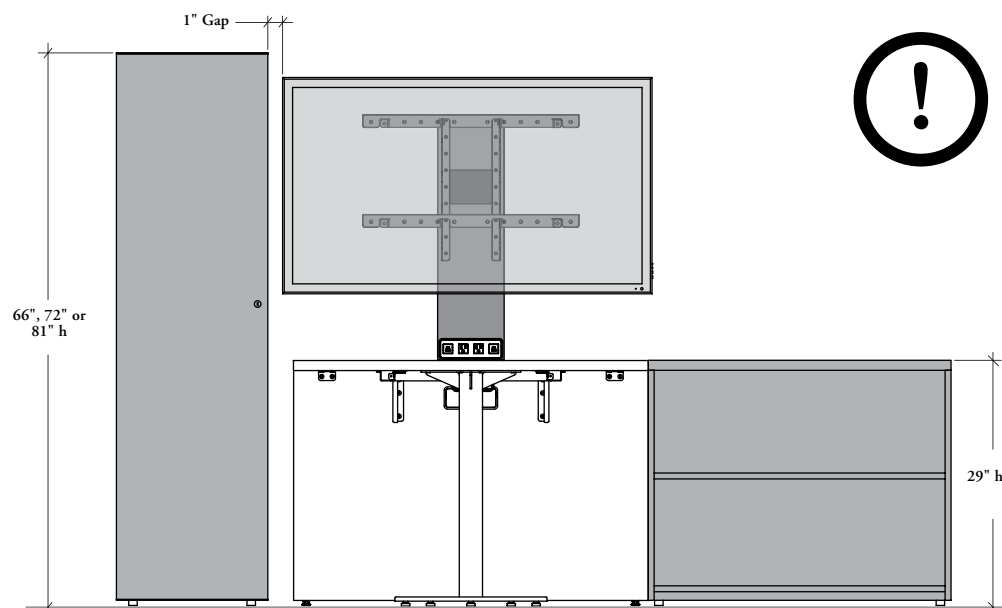
Worksurface Depth ('A')	36"	42"	48"	54"	60"
Maximum Diagonal TV Monitor ('B')	40"	43"	50"	58"	60"
Maximum TV Monitor Width ('C')	34"	37 1/2"	43 5/8"	50 5/8"	52 3/8"
Minimum TV Monitor Height ('D')	20 1/4"	20 1/4"	20 1/4"	20 1/4"	20 1/4"

- It is also recommended to use a TV Monitor that has a minimum height 20 1/4", otherwise TV Stand may be visible

TV stand application

TV Monitor Clearance

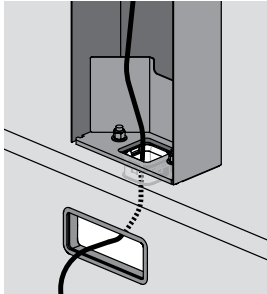
WARNING: When the TV Monitor width exceeds the surface width, always keep a 1" gap with surrounding objects or furniture to avoid collision hazard (when surface datum height is exceeded)



planning with TV monitor mount – TV stand (continued)

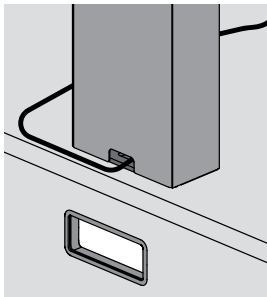
wire management

TV stand without metal shelf



BACK VIEW

The Back Cover can be opened to route cables through the Square Grommet

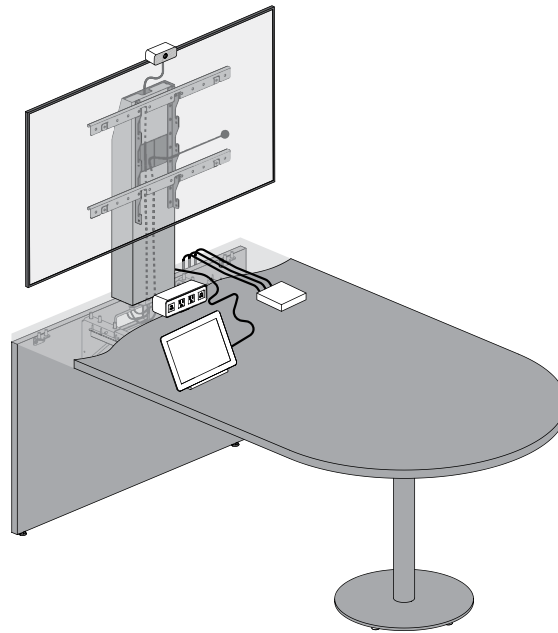
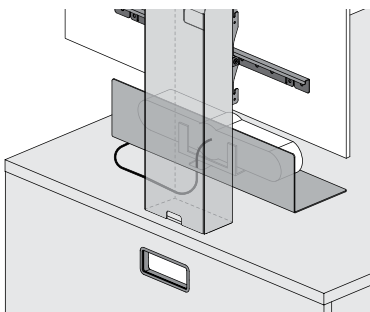
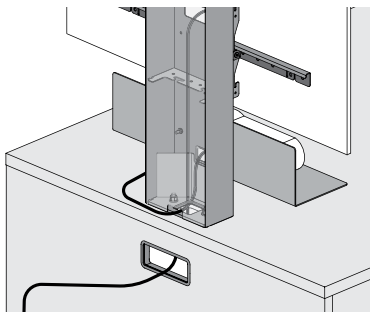


Comes with a slot on rear to route cables from the worksurface directly

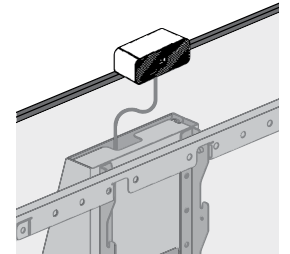
TV stand with metal shelf

- Cable can be routed through multiple openings on the TV Stand, through the Metal Shelf (if specified) and through the worksurface on which it is mounted
- Metal Shelf openings on the back and bottom allow the wires to run from the surface or inside the TV Stand to the shelf
- The Metal Shelf Ready (M) option on TV Stand must be specified to install a shelf

BACK VIEW



TOP VIEW




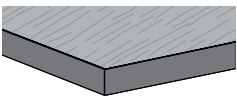
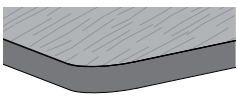
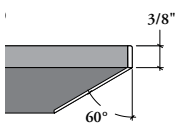
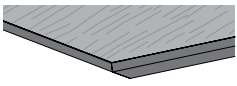
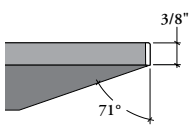
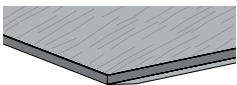
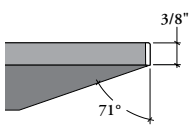
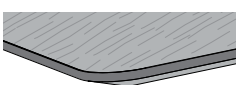
Comes with an opening on top to route webcam cable

fixed peninsulas finishes

The chart below indicates which edge trim styles can be specified with Media Wall Peninsulas and Fixed Peninsula – D-Shape finishes.

Not all finishes and edge trims are applicable with the worksurface styles, refer to individual product pages for more details

worksurface finishes & edge trims chart

worksurface style	corner detail	worksurface finish	edge trim style	thickness	edge trim finishes
solid top					
Flat Edge (1 3/16") (M) 	Straight (S) 	Foundation Laminate or Grade 2 Laminate	Flat Trim (8)	1.5mm all edges	Edge Trim Colors
	Radius (R) (58mm radius) 	Flintwood (No Cathedral)	Flintwood Flat Trim (9)	1.4mm user edges and 0.5mm non-user edges	Not Applicable*
Knife Edge (1 3/16") (V) 	Straight (S) 	Foundation Laminate or Grade 2 Laminate	Full Knife Trim (F) A one-piece edge trim covers flat and angled edges	1.5mm all edges	Edge Trim Colors
	Deep Knife Edge (1 3/16") (W) 	Straight (S) 	Foundation Laminate or Grade 2 Laminate	Deep Knife Trim (D) **	1.5mm all edges
Deep Knife Edge (1 3/16") (W) 	Radius (R) (58mm radius) 	Flintwood (No Cathedral)	Flintwood Deep Knife Trim (C) **	1.4mm user edges and 0.5mm non-user edges	Not Applicable*

* Not Applicable (NA) option is only available when Flintwood front finishes and for trim styles (9 or C) are specified

** The angled edge is always painted Warm Shadow (dark warm grey)

user edges

When Worksurface Style Knife Edge (1 3/16") (V) or Deep Knife Edge (1 3/16") (W) is selected, the specified profile will be applied to user edges only



Rectangular



Tapered

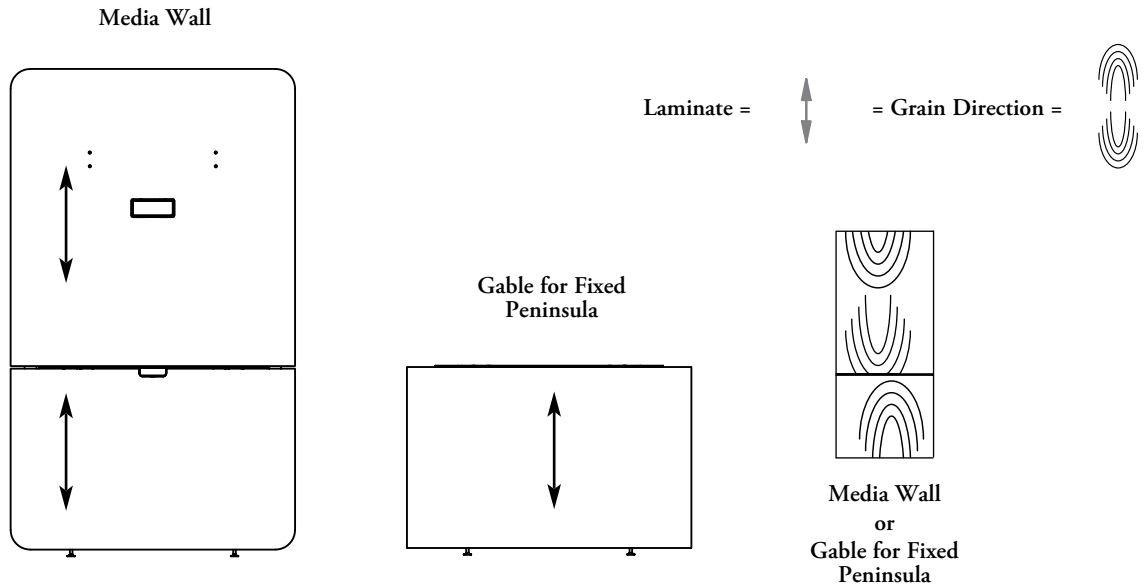


D-Shape

grain direction – media wall & gable for fixed peninsula

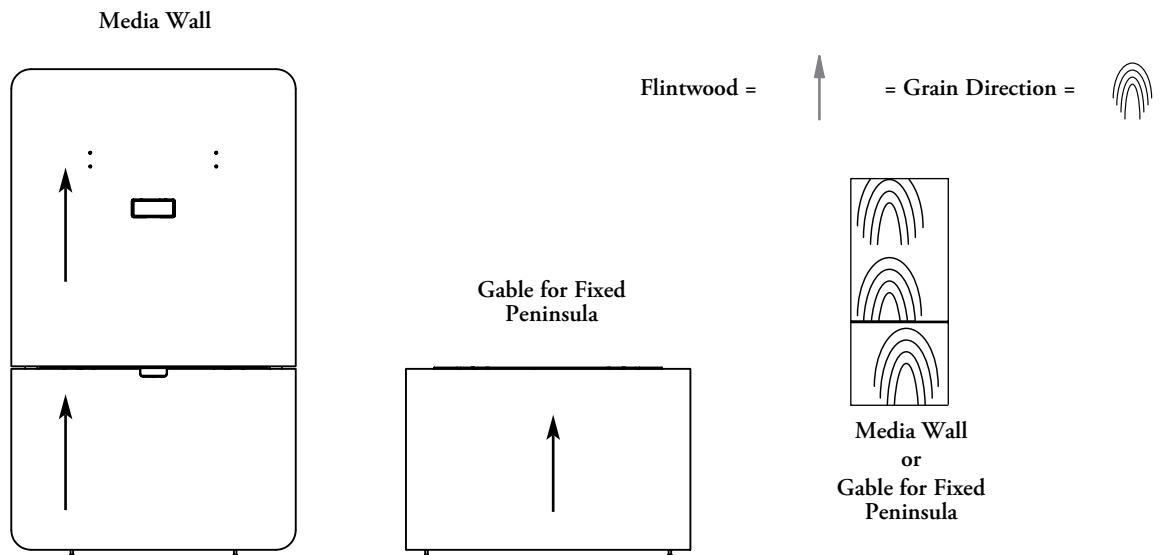
- Grain direction is an important factor when planning workstation. If a different grain direction is required, please contact your Teknion Customer Service Representative
- Each fascia is independent, there will be **no** pattern across horizontal or vertical reveals
- Grain/patterns are **not** "centered" on Fascias

laminated fascias (source laminate)



Grain will appear in the same direction (vertical) for all Fascias

flintwood fascias



Grain will appear in the same direction (from bottom to top) for all Fascias