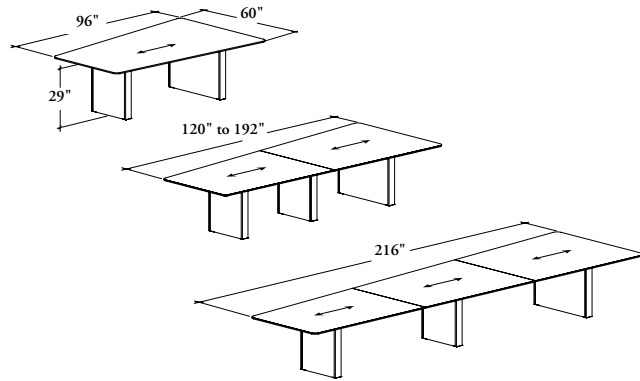


meeting tables

Xpress

MXTPV 

Panel Base Table – Video Conference



WHAT'S INCLUDED

Surface(s), bases and wire management.

WHAT'S EXCLUDED

Power Modules (MXPRH and MXFPF) and Recessed Module – Access Door (MXPRD).

NOTES

If specified, module cutouts are included as listed below:

Width	Panel Base Quantity	Flush Power Module – Triple	Recessed Module – Standard
96"	2	1	1
120" to 144"	2	2	2
168" to 192"	3	2	2
216"	3	3	3

When Worksurface Style (M) option is specified, only the Edge Trim Styles (8 or 9) options are available.

When Worksurface Style (W) option is specified, only Edge Trim Style (D) option is available.

Xpress Deep Knife Edge (W) option is unavailable in Xpress. See Xpress Program and/or specification software for finishes availability.

PRODUCT OPTIONS

Base Infill Style	Worksurface Style	Depth	Width	Corner Detail	Power Module Cutout
M Metal Infill	M Flat Edge (1 3/16")	60	096, 120, 144, 168, 192, 216	R Radius (Shown)	FT Flush Module – Triple
S Solid Infill	W Deep Knife Edge (1 3/16") (Shown)			S Straight	NN No Cutout (Shown)
					RS Recessed Module – Standard

SAMPLE ORDER CODE

MXTPV M	M	60	168	S	NN
----------------	----------	-----------	------------	----------	-----------

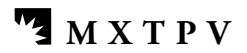
PRODUCT OPTIONS CONTINUED

Worksurface Finish	Edge Trim Style	Edge Trim Finish	Base Infill Finish	Support Finish
Foundation Laminate	8 Flat Trim (1.5mm)	Edge Trim Colors	Metal Infill: • Foundation • Mica • Accent Solid Infill: • Source Laminate	Foundation
Grade 2 Laminate	D Deep Knife Trim (1.5mm)			Mica
				Accent

SAMPLE ORDER CODE CONTINUED

RV	8	SS	52	52
-----------	----------	-----------	-----------	-----------

See Pricing on the following page.



Panel Base Table – Video Conference (Continued)

**DIMENSIONS
INCHES / MM**

D	W
60 / 1524	96 / 2438
60 / 1524	120 / 3048
60 / 1524	144 / 3658
60 / 1524	168 / 4267
60 / 1524	192 / 4877
60 / 1524	216 / 5486

PRICING

METAL INFILL (M)				
FLAT EDGE (M)			DEEP KNIFE EDGE (W)	
WORKSURFACE FINISH				
	Foundation Laminate	Grade 2 Laminate	Foundation Laminate	Grade 2 Laminate
	3624	4212	4164	4752
	4113	4848	4737	5472
	4749	5631	5456	6338
	5470	6499	6260	7289
	5852	7028	6725	7901
	6323	7645	7279	8601

SOLID INFILL (S)				
SOURCE LAMINATE				
FLAT EDGE (M)			DEEP KNIFE EDGE (W)	
WORKSURFACE FINISH				
	Foundation Laminate	Grade 2 Laminate	Foundation Laminate	Grade 2 Laminate
	3465	4053	4006	4594
	3954	4689	4578	5313
	4512	5394	5220	6102
	5233	6262	6024	7053
	5615	6791	6489	7665
	6086	7408	7043	8365