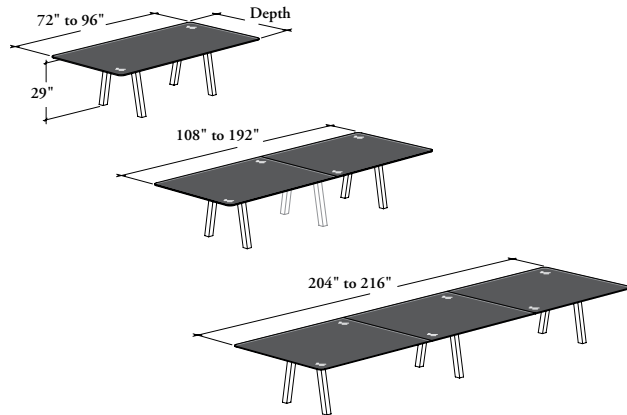


# meeting tables

## MXSWR

### Workshop Leg Table – Rectangular with Specialty Top



#### WHAT'S INCLUDED

Surface(s), glass overlay, legs and wire management.

#### WHAT'S EXCLUDED

Power Modules (MXPRH and MXPFP) and Recessed Module – Access Door (MXPRD).

#### NOTES

If specified, module cutouts are included as listed below:

Width	Workshop Leg Quantity	Flush Power Module – Triple	Recessed Module – Compact	Recessed Module – Standard
72" to 96"	4	1	1	1
108" to 144"	4	2	n/a	2
156" to 192"	6	2	n/a	2
204" to 216"	6	3	n/a	3

#### PRODUCT OPTIONS

Worksurface Style	Depth	Width	Corner Detail	Power Module Cutout
<b>W</b> Deep Knife Edge (1 3/16")	42, 48, 54, 58, 60	072, 078, 084, 090, 096, 108, 120, 132, 144, 156, 168, 180, 192, 204, 216	<b>R</b> Radius (Shown) <b>S</b> Straight	<b>FT</b> Flush Module – Triple <b>NN</b> No Cutout (Shown) <b>RC</b> Recessed Module – Compact <b>RS</b> Recessed Module – Standard

#### SAMPLE ORDER CODE

<b>MXSWR W</b>	<b>54</b>	<b>168</b>	<b>S</b>	<b>NN</b>
----------------	-----------	------------	----------	-----------

#### PRODUCT OPTIONS CONTINUED

Specialty Top	Top Finish	Worksurface and Edge Finish	Edge Trim Style	Support Finish
<b>G</b> Glass – Gloss 6mm <b>M</b> Glass – Matte 6mm	Backpainted	Foundation Laminate	<b>D</b> Deep Knife Trim (1.5mm)	Foundation Mica Accent

#### SAMPLE ORDER CODE CONTINUED

<b>G</b>	<b>K7</b>	<b>RV</b>	<b>D</b>	<b>52</b>
----------	-----------	-----------	----------	-----------

See Pricing on the following page.



**Workshop Leg Table – Rectangular with Specialty Top (Continued)**

**DIMENSIONS  
INCHES / MM**

**PRICING**

DIMENSIONS INCHES / MM		DEEP KNIFE EDGE (W)			
		GLASS – GLOSS 6mm (G)		GLASS – MATTE 6mm (M)	
		FOUNDATION LAMINATE WORKSURFACE & EDGE FINISH			
D	W	Straight (S)	Radius (R)	Straight (S)	Radius (R)
42 / 1067	72 / 1829	3676	4546	4113	4983
42 / 1067	78 / 1981	3794	4703	4288	5197
42 / 1067	84 / 2134	4028	4975	4578	5525
42 / 1067	90 / 2286	4144	5130	4751	5737
42 / 1067	96 / 2438	4264	5291	4927	5954
42 / 1067	108 / 2743	4977	6483	5512	7018
42 / 1067	120 / 3048	5211	6795	5859	7443
42 / 1067	132 / 3353	5473	7135	6235	7897
42 / 1067	144 / 3658	5726	7465	6600	8339
42 / 1067	156 / 3962	6769	8587	7756	9574
42 / 1067	168 / 4267	7002	8897	8103	9998
42 / 1067	180 / 4572	7479	9453	8693	10667
42 / 1067	192 / 4877	7710	9762	9036	11088
48 / 1219	78 / 1981	4082	5029	4691	5638
48 / 1219	84 / 2134	4223	5210	4898	5885
48 / 1219	90 / 2286	4364	5389	5106	6131
48 / 1219	96 / 2438	4506	5571	5314	6379
48 / 1219	108 / 2743	5254	6838	5939	7523
48 / 1219	120 / 3048	5509	7171	6327	7989
48 / 1219	132 / 3353	5791	7531	6742	8482
48 / 1219	144 / 3658	6066	7884	7150	8968
48 / 1219	156 / 3962	7128	9024	8345	10241
48 / 1219	168 / 4267	7433	9407	8783	10757
48 / 1219	180 / 4572	7901	9953	9384	11436
48 / 1219	192 / 4877	8163	10293	9779	11909
54 / 1372	120 / 3048	5781	7520	6769	8508
54 / 1372	132 / 3353	6108	7926	7248	9066
54 / 1372	144 / 3658	6422	8318	7715	9611
54 / 1372	156 / 3962	7528	9502	8974	10948
54 / 1372	168 / 4267	7830	9882	9429	11481
54 / 1372	180 / 4572	8323	10453	10075	12205
54 / 1372	192 / 4877	8616	10824	10521	12729
58 / 1473	144 / 3658	6625	n/a	8058	n/a
58 / 1473	156 / 3962	7762	n/a	9361	n/a
58 / 1473	168 / 4267	8092	n/a	9857	n/a
58 / 1473	180 / 4572	8605	n/a	10536	n/a
58 / 1473	192 / 4877	8918	n/a	11015	n/a
58 / 1473	204 / 5182	9597	n/a	11715	n/a
58 / 1473	216 / 5486	9910	n/a	12203	n/a
60 / 1524	144 / 3658	6727	n/a	8230	n/a
60 / 1524	156 / 3962	7879	n/a	9554	n/a
60 / 1524	168 / 4267	8224	n/a	10072	n/a
60 / 1524	180 / 4572	8745	n/a	10765	n/a
60 / 1524	192 / 4877	9069	n/a	11263	n/a
60 / 1524	204 / 5182	9779	n/a	11998	n/a
60 / 1524	216 / 5486	10101	n/a	12502	n/a