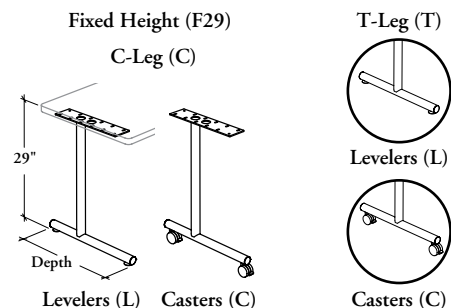


supports

Xpress

XSLD

Standard Leg



Standard Legs provide fixed height worksurface support within freestanding or linked applications.

WHAT'S INCLUDED

1 standard leg, 2 levelers or 2 lockable casters (as specified) and mounting hardware.

NOTES

Leveling range of 1".

PRODUCT OPTIONS

Leg Configuration	Leg Type	Depth	Caster/Leveler Option	Leg Finish	Caster Finish (If Applicable)
C C-Leg T T-Leg	F29 Fixed Height	20, 24	C Casters L Levelers	Foundation Mica Accent	B Black G Grey

SAMPLE ORDER CODE

XSLD C	F29	24	L	83	
---------------	------------	-----------	----------	-----------	--

**DIMENSIONS
INCHES / MM**

D
20 / 508
24 / 610

PRICING

FIXED HEIGHT (F29)			
C-LEG (C)		T-LEG (T)	
Levelers (L)	Castors (C)	Levelers (L)	Castors (C)
n/a	n/a	190	261
190	261	190	261